

## ACCESS SERVICE

## 7. Special Access Service

## 7.1 General

Special Access Service provides a transmission path to connect customer designated premises\* or a customer designated premises and a WATS serving office, either directly or through a Telephone Company Hub where bridging or multiplexing functions are performed or to connect a customer designated premises and a Telephone Company Hub where cross-connection functions are performed. Special Access Service includes all exchange access not utilizing Telephone Company end office switches.

The connections provided by Special Access Service can be either analog or digital. Analog connections are differentiated by spectrum and bandwidth. Digital connections are differentiated by bit rate.

Rates and charges for Special Access Service are set forth in Section 7.5 following, with the exception of the services provided by the Telephone Company in the Metropolitan Statistical Areas (MSAs) in which the Telephone Company has received Phase II pricing flexibility pursuant to Subpart H of Part 69 of the Commission's Rules. The rates and charges for the Special Access Service in the MSAs that have received Phase II pricing flexibility are set forth in Section 21.

(N)  
|  
(N)

## 7.1.1 Channel Types

There are eleven types of channels used to provide Special Access Services. Each type has its own characteristics. All are subdivided by one or more of the following:

- Transmission specifications,
- Bandwidth,
- Speed (i.e., bit rate),
- Spectrum

Customers can order a basic channel and select, from a list of available transmission parameters and network channel interfaces, those that they desire to meet specific communications requirements.

For purposes of ordering channels, each has been identified as a type of Special Access Service. However, such identification is not intended to limit a customer's use of the channel nor to imply that the channel is limited to a particular use. For example, if a customer's equipment is capable of transmitting voice over a channel that is identified as a Metallic Service in this tariff, there is no restriction against doing so.

\* Telephone Company Centrex CO-like switches, Telephone Company Answering Service Concentrators, and Telephone Company Direct Inward Dialing (DID) facility locations are considered to be customer premises for purposes of administering regulations and rates of Section 7 of this tariff and, in the case of DID facility locations, only to permit customers to provide DID service to Radio Common Carriers.

(This page filed under Transmittal No. 1345)

## ACCESS SERVICE

## 7. Special Access (Cont'd)

## 7.1 General (Cont'd)

## 7.1.1 Channel Types (Cont'd)

Following is a brief description of each type of channel:

Metallic - a channel for the transmission of low speed varying signals at rates up to 30 baud.

Telegraph Grade - a channel for the transmission of binary signals at rates of 0 to 75 baud or 0 to 150 baud.

Direct Analog - A channel for the transmission of analog signals within an approximate bandwidth of 300-3000 Hz.

Dedicated Access Line (DAL) - a channel from a customer designated premises to a WATS serving office for 800 Service, WATS or similar services.

Program Audio - a channel for the transmission of audio signals. The nominal frequency bandwidths are from 50 to 15000 Hz, from 200 to 3500 Hz, from 100 to 5000 Hz or from 50 to 8000 Hz.

Video - a channel for the analog or digital transmission of a standard 525 line/60 field monochrome or National Television Systems Committee color video signal and from one to four associated 5 or 15 kHz audio signals. The bandwidth for an analog Video channel is either 30 Hz to 4.5 MHz or 30 Hz to 6.6 MHz. The bandwidth for an Supertrunking Video Service analog video signal is from 54 MHz to 750 MHz. The bit rate for a digital Video channel is 45 Mbps. (T)

Wideband Analog\* - a channel for transmission of wideband signals. The bandwidths are from 60 to 108 kHz (Group), from 312 to 552 kHz (Supergroup), from 564 to 3084 kHz (Mastergroup), from 300 Hz to 18 kHz, from 29 to 44 kHz or from 28 to 44 kHz.

\* Wideband Analog Service is limited to circuits in place as of August 11, 1988. Only changes which do not result in the establishment of a new minimum service period are allowed for these circuits.

(This page filed under Transmittal No. 1357)

Issued: October 6, 2003

Effective: October 21, 2003

## ACCESS SERVICE

## 7. Special Access Service (Cont'd)

## 7.1 General (Cont'd)

## 7.1.1 Channel Types (Cont'd)

Wideband Data\* - an analog channel for the transmission of synchronous serial data at rates of 19.2, 50.0 or 230.4 kbps or asynchronous serial data at rates of up to 19.2, 50.0 or 230.4 kbps. (Optional arrangements of synchronous serial data at 18.75 or 40.8 kbps, are available as set forth in 7.2.7(A) and (C) following).

Base Rate Services - a channel for the digital transmission of serial data at discrete bit rates of 2.4, 4.8, 9.6, 19.2, 56.0 and 64.0 Kbps. (T)

DS1 Service - a channel for the digital transmission of serial data at a discrete bit rate of 1.544 Mbps. (T)

DS3 Service - a channel for the digital transmission of serial data at the discrete bit rate of 44.736 Mbps. (T)

OC-3 Service - a channel for the optical transmission of data based upon the Synchronous Optical Network (SONET) at a rate of 155.52 Mbps. (T)

OC-12 Service - a channel for the optical transmission of data based upon the Synchronous Optical Network (SONET) at a rate of 622.08 Mbps. (T)

OC-48 Service - a channel for the optical transmission of data based upon the Synchronous Optical Network (SONET) at a rate of 2488.32 Mbps. (T)

OC-192 Service - a channel for the optical transmission of data based upon the Synchronous Optical Network (SONET) at the rate of 9953.28 Mbps. (T)

\* Wideband Data Service is limited to circuits in place as of August 11, 1988. Only changes which do not result in the establishment of a new minimum service period are allowed for these circuits.

(This page filed under Transmittal No. 1357)

Issued: October 6, 2003

Effective: October 21, 2003

## ACCESS SERVICE

## 7. Special Access Service (Cont'd)

## 7.1 General (Cont'd)

## 7.1.1 Channel Types (Cont'd)

Detailed descriptions of each of the channel types are provided in 7.2 following.

The customer also has the option of ordering direct analog service, or DS1 or DS3 Service operating at terminating speeds of 1.544 Mbps or 44.736 Mbps, to a Telephone Company Hub for multiplexing to individual channels of a lower capacity or bandwidth. Descriptions of the types of multiplexing available at the Hubs, as well as the number of individual channels which may be derived from each type of facility are set forth in 7.2 following. Additionally, the customer may specify optional features for the individual channels derived from the facility to further tailor the channel to meet specific communications requirements. Descriptions of the optional features and functions available are also set forth in 7.2 following.

(T)

For example, a customer may order a 44.736 Mbps facility from a customer designated premises to a Telephone Company Hub for multiplexing to twenty eight 1.544 Mbps channels. The 1.544 Mbps channels may be further multiplexed at the same or a different Hub to Direct Analog Service or Wideband Analog\* (i.e., Group Level) channels or may be extended to other customer designated premises. Optional features may be added to either the 1.544 Mbps or the Direct Analog Service Channels.

Supertrunking Video Service (SVS) may be ordered between customer designated premises or from a customer designated premises to a Telephone Company Central Office for the purposes of splitting the video signal for distribution to multiple customer premises in a multipoint circuit.

(T)

Multichannel Video Service (MVS) may be ordered as MVS-A Hub Transport, between a Customer designated premises and a Telephone Company Video Hub for cross connecting to other video services, or as MVS-A Customer Premises transport, between customer designated premises via a Telephone Company Central Office.

(T)

(T)

Wideband Analog Video Service (WAVS) and Serial Component Video Service may be ordered between customer designated premises.

\* Wideband Analog Service is limited to circuits in place as of August 11, 1988.

(This page filed under Transmittal No. 1357)

Issued: October 6, 2003

Effective: October 21, 2003

ACCESS SERVICE

7. Special Access Service (Cont'd)

7.1 General (Cont'd)

7.1.2 Rate Categories

There are four basic rate categories which apply to Special Access Service:

- Local Distribution Channel (described in 7.1.2(A) following)
- Channel Mileage Termination (described in 7.1.2(B) following)
- Channel Mileage (described in 7.1.2(C) following)
- Optional Features and Functions (described in 7.1.2(D) following).

M  
|  
M

Certain material on this page previously appeared on 8th revised Page 234.

(TR955)

Issued: March 8, 1996

Effective: April 22, 1996

Director, Federal Regulatory Planning & Policy, 4G62  
2000 W. Ameritech Center Drive  
Hoffman Estates, Illinois 60196-1025

## ACCESS SERVICE

## 7. Special Access Service (cont'd)

## 7.1 General (cont'd)

## 7.1.2 Rate Categories (cont'd)

## (A) Local Distribution Channel

The Local Distribution Channel rate category provides for the communications path between a customer designated premises and the serving wire center of that premises. Included as part of the Local Distribution Channel is a standard network channel interface arrangement which defines the technical characteristics associated with the type of facilities to which the access service is to be connected at the Point of Termination (POT) and the type of signaling capability, if any. The signaling capability itself is provided as an optional feature as set forth in (D) following. One Local Distribution Channel charge applies per customer designated premises at which the channel is terminated. This charge will apply even if the customer designated premises and the serving wire center are co-located in a Telephone Company building.

DS3 Local Distribution Channels with an Optical Interface are composed of two rate elements; DS3 Service Packages (SP) and DS3 Service Channels (SC).

(T)

## (B) Channel Mileage Termination

The Channel Mileage Termination rate category provides for the termination of transmission facilities between the serving wire centers associated with two customer designated premises, between a serving wire center associated with a customer designated premises and a Telephone Company Hub, between a serving wire center associated with a customer designated premises and an international boundary point, between a serving wire center associated with a customer designated premises and a WATS serving office, or between two Telephone Company Hubs. All of these transmission facilities so terminated are categorized as Channel Mileage, as described below. One Channel Mileage Termination charge applies per end of Channel Mileage terminated in the Telephone Company's serving area. The Channel Mileage Termination charge does not apply to circuits which have no Channel Mileage.

---

(This page filed under Transmittal No. 1357)

Issued: October 6, 2003

Effective: October 21, 2003

**ACCESS SERVICE**

**7. Special Access Service (Cont'd)**

**7.1 General (Cont'd)**

**7.1.2 Rate Categories**

**(C) Channel Mileage**

The Channel Mileage rate category provides for the transmission facilities between the serving wire centers associated with two customer designated premises, between a serving wire center associated with a customer designated premises and a Telephone Company Hub, between a serving wire center associated with a customer designated premises and an international boundary point, between a serving wire center associated with a customer designated premises and a WATS serving office, or between two Telephone Company Hubs. One Channel Mileage charge applies per mile of interoffice transport, calculated as described in 7.4.6, following.

M  
|  
M

**(D) Optional Features and Functions**

The Optional Features and Functions rate category provides for optional features and functions which may be added to a Special Access Service to improve its quality or utility to meet specific communications requirements. These are not necessarily identifiable with specific equipment, but rather represent the end result in terms of performance characteristics which may be obtained. These characteristics may be obtained by using various combinations of equipment. Although the equipment necessary to perform a specified function may be installed at various locations along the path of the service, it will be charged for as a single rate element.

Certain material on this page previously appeared on 6th Revised Page 235.

Issued: December 22, 1989

Effective: February 5, 1990

Assistant Vice President  
10 S. Wacker Drive, Floor 22  
Chicago, Illinois 60606

ACCESS SERVICE

7. Special Access Service (Cont'd)

7.1 General (Cont'd)

7.1.2 Rate Categories (Cont'd)

(D) Optional Features and Functions (Cont'd)

Examples of Optional Features and Functions that are available include, but are not limited to, the following:

- Signaling Capability
- Hubbing Functions
- Conditioning
- Transfer Arrangements

A Hub is a Telephone Company designated serving wire center at which bridging, multiplexing or cross-connection functions are performed. The bridging functions performed are to connect three or more customer designated premises in a multipoint arrangement. The multiplexing functions are to channelize analog or digital facilities to individual services requiring a lower capacity or bandwidth. Hubs for multiplexing may be designated as Intermediate or Terminus Hubs as set forth in 2.6 preceding. The cross-connection functions provide for the connection of two digital services of the same bit rate at Fiber Hub locations set forth in 7.4.10, following.

C

C

C

Descriptions for each of the available Optional Features and Functions are set forth in 7.2 following.

7.1.3 Service Configurations

There are two types of service configurations over which Special Access Services are provided: two-point service and multipoint service.



ACCESS SERVICE

7. Special Access Service (Cont'd)

7.1 General (Cont'd)

7.1.3 Service Configurations (Cont'd)

(A) Two-Point Service

A two-point service connects two customer designated premises or a customer designated premises and a wire center for connection with other network services (e.g., WATS) either on a directly connected basis or through a Hub where multiplexing functions are performed.

Applicable rate elements are:

- Local Distribution Channel\*
- Channel Mileage Terminations (as applicable)
- Channel Mileage (as applicable)
- Optional Features and Functions (when applicable)

M  
|  
M

\* Only one Local Distribution Channel will apply for Dedicated Access Line Service. Certain material on this page previously appeared on 4th Revised Page 236.

ACCESS SERVICE

7. Special Access Service (Cont'd)

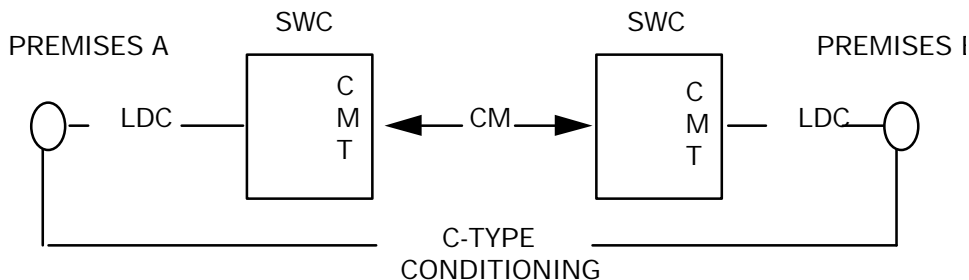
7.1 General (Cont'd)

7.1.3 Service Configurations (Cont'd)

(A) Two-Point Service (Cont'd)

In addition, a Special Access Surcharge as set forth in 7.4.2 following and a Message Station Equipment Recovery charge as set forth in 7.4.3 following may be applicable.

The following diagram depicts a two-point Direct Analog Service connecting two customer designated premises located 15 miles apart. The service is provided with C-Type conditioning.



- ldc - local distribution channel
- CMT - mileage termination
- cm - channel mileage
- swc - serving wire center

Applicable rate elements are:

- Local Distribution Channel (two applicable)
- Channel Mileage Termination (two applicable)
- Channel Mileage (15 miles)
- C-Type Conditioning Optional Feature (two applicable)

ACCESS SERVICE

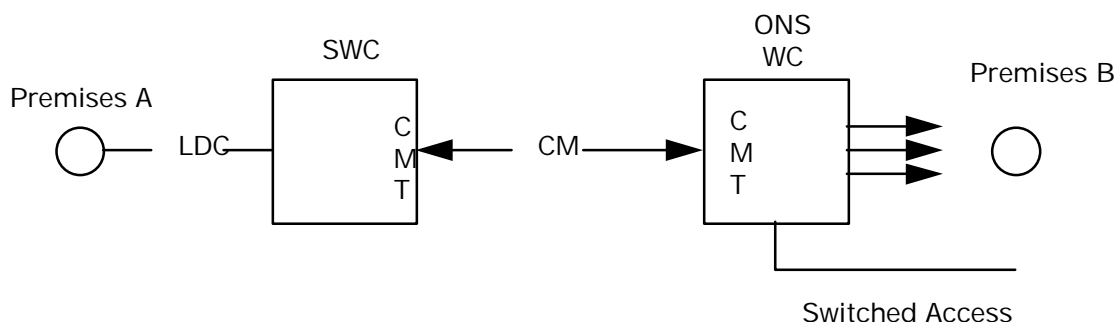
7. Special Access Service (Cont'd)

7.1 General (Cont'd)

7.1.3 Service Configurations (Cont'd)

(A) Two-Point Service (Cont'd)

The following diagram depicts a Dedicated Access Line Service where the other network service (e.g., WATS) serving office is 10 miles from serving wire center of the customer designated premises.



- LDC - Local Distribution Channel
- CMT - Channel Mileage Termination
- CM - Channel Mileage
- SWC - Serving Wire Center
- ONS - Other Network Service Wire Center (e.g., WATS)

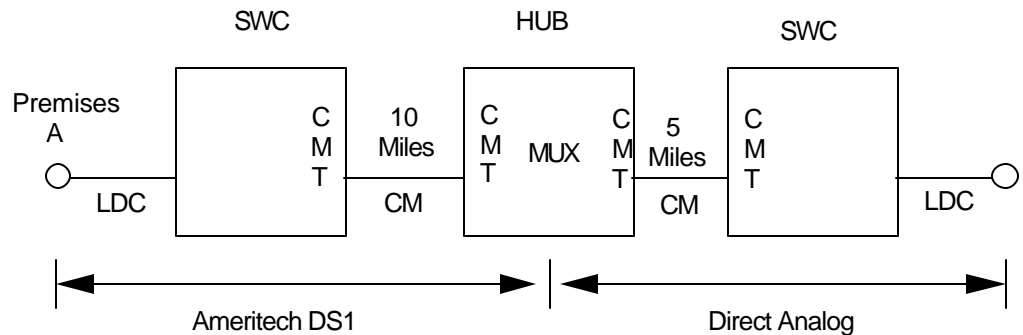
Applicable rate elements are:

- Local Distribution Channel (one applicable)
- Channel Mileage Termination (two applicable)
- Channel Mileage (10 miles)
- Switched Access (see Section 6)

ACCESS SERVICE

- 7. Special Access Service (Cont'd)
  - 7.1 General (Cont'd)
    - 7.1.3 Service Configuration (Cont'd)
      - (A) Two-Point Service (Cont'd)

The following diagram depicts a two-point service, with Premises A served by DS1 Service and Premises B served by Direct Analog Service, multiplexed at an Intermediate Hub located 10 miles from the serving wire center for Premises A and 5 miles from the serving wire center for Premises B.



- LDC - Local Distribution Channel
- CMT - Channel Mileage Termination
- CM - Channel Mileage
- MUX - DS1 to Voice Multiplexing
- SWC - Serving Wire Center

Applicable rate elements are:

- Local Distribution Channel
  - 1 Ameritech DS1
  - 1 Direct Analog
- Channel Mileage Termination
  - 2 Ameritech DS1
  - 2 Direct Analog
- Channel Mileage
  - 10 Ameritech DS1
  - 5 Direct Analog
- Multiplexing
  - 1 Ameritech DS1 to Voice/Base Rate

(This page filed under Transmittal No. 1357)

ACCESS SERVICE

7. Special Access Service (Cont'd)

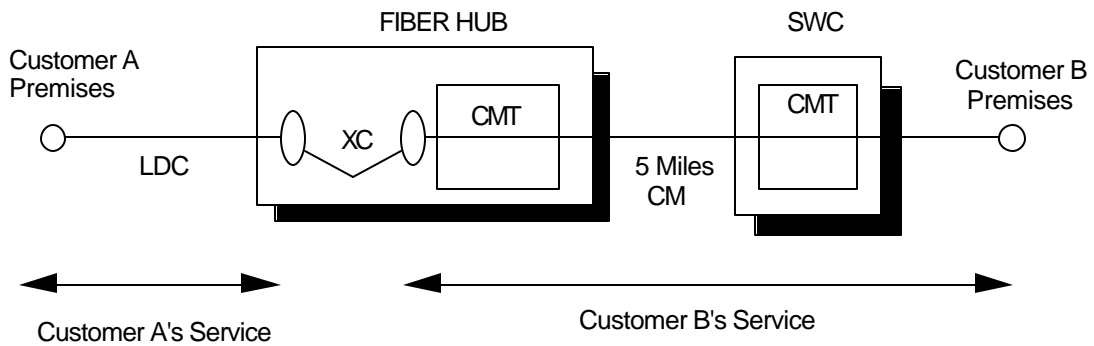
7.1 General (Cont'd)

7.1.3 Service Configuration (Cont'd)

(A) Two-Point Service (Cont'd)

The following diagram depicts two two-point DS3 Services cross-connected at a Fiber Hub. The first DS3 Service connects Customer A's designated premises to the Fiber Hub. The second DS3 Service connects Customer B's designated premises to the Fiber Hub.

(T)  
(T)  
(T)



- CM - Channel Mileage
- CMT - Channel Mileage Termination
- LDC - Local Distribution Channel
- SWC - Serving Wire Center
- XC - Cross-Connection

Applicable rate elements are:

- Local Distribution Channel - Customer A
- Local Distribution Channel - Customer B
- Cross-Connection - DS3 to DS3
- 5 Miles Channel Mileage - Customer B
- 2 Channel Mileage Terminations - Customer B

(T)

The DS3 to DS3 Cross-Connection may be ordered by either customer, with authorization from the other customer to make the connection of the two services.

(T)

(This page filed under Transmittal No. 1357)

**ACCESS SERVICE****7. Special Access Service (Cont'd)****7.1 General (Cont'd)****7.1.3 Service Configurations (Cont'd)****(B) Multipoint Service**

Multipoint service connects three or more customer designated premises through a Telephone Company Hub. There is no limitation on the number of mid-links available with multipoint service. However, when more than three mid-links are provided in tandem, the quality of the service may be degraded. A mid-link is a channel between Hubs (i.e., bridging locations). Only certain types of Special Access Service are provided as multipoint service. These are so designated in the Service Descriptions set forth in 7.2 following.

Multipoint service utilizing a customized technical specifications package as set forth in 7.2 following will be provided when technically possible. If the Telephone Company determines that the requested characteristics for a multipoint service are not compatible, the customer will be advised and given the opportunity to change the order.

When ordering, the customer will specify the desired bridging Hub(s) selected from the National Exchange Carrier Association Tariff F.C.C. NO. 4. This tariff identifies the type(s) of bridging functions which are available and the serving wire centers where they are available.

Applicable Rate Elements are:

- Local Distribution Channels (one per customer designated premises)
- Channel Mileage Termination (one per end of Channel Mileage)
- Channel Mileage (as applicable between each designated customer premises and the Hub and between Hubs.)
- Bridging
- Additional Optional Features (when applicable).

In addition, the Special Access Surcharge as set forth in 7.4.2 following and a Message Station Equipment Recovery Charge as set forth in 7.4.3 following may be applicable.

ACCESS SERVICE

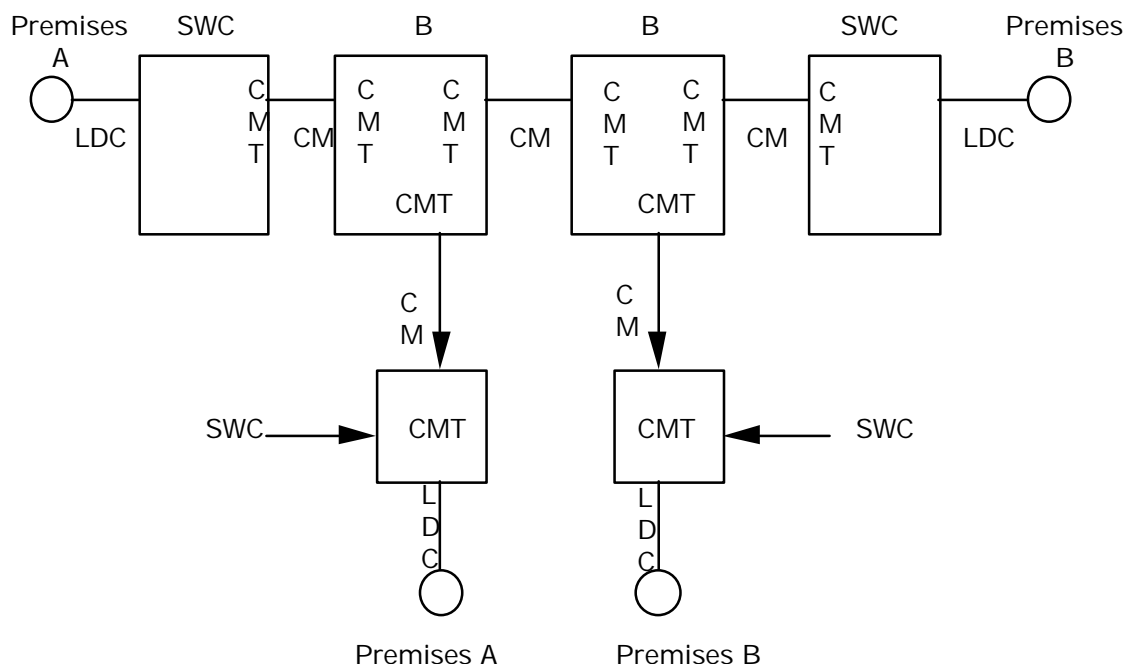
7. Special Access Service (Cont'd)

7.1 General (Cont'd)

7.1.3 Service Configurations (Cont'd)

(B) Multipoint Service (Cont'd)

Example: Direct Analog Service multipoint service connecting four customer premises via two customer specified bridging hubs.



- LDC - LOCAL DISTRIBUTION CHANNEL
- CMT - CHANNEL MILEAGE TERMINATION
- CM - CHANNEL MILEAGE
- B - BRIDGING
- SWC - SERVING WIRE CENTER

Applicable rate elements are:

- Local Distribution Channels (four applicable)
- Channel Mileage Terminations (ten applicable)
- Channel Mileage (for appropriate mileages)
- Bridging (six applicable, i.e., each bridge port)

**ACCESS SERVICE****7. Special Access Service (Cont'd)****7.1 General (Cont'd)****7.1.4 Alternate Use**

Alternate Use occurs when a service is arranged by the Telephone Company so that the customer can select different types of transmission at different times. A customer may use a service in any privately beneficial manner. However, where technical or engineering changes are required to effectuate an alternate use, the Telephone Company will make such special arrangements available on an individual case basis.

The arrangement required to transfer the service from one operation to the other (i.e., the transfer relay and control leads) will be rated and provided on an individual case basis and filed in Section 12., Specialized Service or Arrangements. The customer will pay the stated tariff rates for the Access Service rate elements for the service ordered (i.e., Local Distribution Channels, Channel Mileage Terminations and Channel Mileage (as applicable) and Optional Features (if any)).

**7.1.5 Special Facilities Routing**

A customer may request that the facilities used to provide Special Access Service be specially routed. The regulations, rates and charges for Special Facilities Routing are set forth in 11.following.

**7.1.6 Design Layout Report**

At the request of the customer, the Telephone Company will provide to the customer the make-up of the facilities and services provided under this tariff as Special Access Service to aid the customer in designing its overall service. This information will be provided in the form of a Design Layout Report. The Design Layout Report will be provided to the customer at no charge, and will be reissued or updated whenever these facilities are materially changed.



## ACCESS SERVICE

## 7. Special Access Service (Cont'd)

## 7.1 General (Cont'd)

## 7.1.7 Acceptance Testing

At no additional charge, the Telephone Company will, at the customer's request, cooperatively test, at the time of installation, the following parameters:

(A) For Direct Analog Services, acceptance tests will include tests for loss, 3-tone slope, DC continuity, operational signaling, C-notched noise and C-message noise when these parameters are applicable and specified in the order for service. Additionally, for Direct Analog Services, a balance (improved loss) test will be made if the customer has ordered the improved loss optional feature.

(B) For other analog services (i.e., Metallic, Telegraph, Program Audio, Video, Wideband Analog\*, Wideband Data\* and Dedicated Access Line) and for digital services (i.e., Base Rate, DS1 and DS3 Services), acceptance tests will include tests for the parameters specified in the order for service. (T)

In addition to the above tests, Additional Cooperative Acceptance Testing for Direct Analog Service to test other parameters. As described in 13.3.4(B) following, is available at the customer's request. All test results will be made available to the customer upon request.

## 7.1.8 Ordering Options and Conditions

Special Access Service is ordered under the Access Order Provisions set forth in 5. preceding. Also included in that section are other charges which may be associated with ordering Special Access Service (e.g., Service Date Change Charges, Cancellation Charges, etc.)

## 7.1.9 Trouble Reporting

The Telephone Company will be responsible for receiving, from customers, trouble reports sectionalized to Telephone Company facilities and/or equipment. The Telephone Company will test cooperatively or independently to assist in trouble sectionalization. Other charges as described in this tariff will still apply.

\* Wideband Analog and Wideband Data Services are limited to circuits in place as of August 11, 1988.

ACCESS SERVICE

7. Special Access Service (Cont'd)

7.2 Service Descriptions

For the purposes of ordering, the categories of Special Access Service are:

- Metallic (MT)
- Telegraph Grade (TG)
- Direct Analog Service (VG)
- Dedicated Access Line (DAL)
- Program Audio (AP)
- Video (TV) (WV)
- Wideband Analog (WA)\*
- Wideband Data (WD)\*
  
- DS1 Service (HC1) (HX)
- DS3 Service (HC3)
- Base Rate Services (DA1 to DA6)
- OC-3 Service (HO3)
- OC-12 Service (HO12)
- OC-48 Service (HO48)
- OC-192 Service (HO192)

(T)  
|  
(T)

Each service consists of a basic channel to which a technical specifications package (customized or predefined), network channel interface(s) and, when desired, optional features and functions are added to construct the service desired by the customer. Each of the components of the service are described in this section.

Customized technical specifications packages will be provided where technically feasible. If the Telephone Company determines that the requested parameter specifications are not compatible, the customer will be advised and given the opportunity to change the order.

When a customized channel is ordered, the customer will be notified whether Additional Engineering Charges apply. In such cases, the customer will be given an estimate of the hours and charges to be billed before any further action is taken on the order.

The channel description (NC code) specifies the characteristics of the basic channel and indicates whether the channel is provided between customer designated premises or between a customer designated premises and a Telephone Company Hub where bridging, cross-connection or multiplexing functions are performed.

\* Wideband Analog and Wideband Data Services are limited to circuits in place as of August 11, 1988.

**ACCESS SERVICE****7. Special Access Service (Cont'd)****7.2 Service Descriptions (Cont'd)**

Information contained in the technical specifications packages indicates the transmission parameters that are available with each package. This information is displayed in a matrix with the transmission parameters listed down the left side and the packages listed across the top. Each package is identified by a code, e.g., VGC. The first two letters of the code indicate the category of Special Access Service to which the parameters are applicable. These two letter codes are shown above in parentheses following the category of Special Access Service. The letter "C" following the two letter code indicates the technical specifications package for a customized service. A numeric or alpha-numeric designation following the two letter code indicates the specific predefined package. For a customized service, the customer may select any parameters available with that category of service as long as the parameters are compatible. When appropriate, the Technical Reference which contains detailed specifications for the parameters is shown following the matrix.

Network channel interfaces at each point of termination on a two-point service may be symmetrical or asymmetrical. On a multipoint service they may also be symmetrical or asymmetrical. However, communications can only be provided between points of termination with compatible network channel interfaces. Only certain network channel interfaces are compatible. These are set forth in 7.3 following in a combination format.

Only certain network channel interface combinations are available with the predefined technical specifications packages. These are delineated in the Technical References set forth at the end of this 7.2. When a customized channel is requested, all network channel interface combinations available with the specified type of service are available.

The optional features and functions available with each type of Special Access Service are described in this section. The optional features and functions information also indicates with which technical specifications packages they are available. Such information is displayed in a matrix with the optional feature or function listed down the left side and the technical specifications package listed across the top.

T

(TR712)

---

Issued: June 7, 1993

Effective: July 12, 1993

Director, Federal Regulatory, 4F20  
2000 W. Ameritech Center Drive  
Hoffman Estates, Illinois 60196-1025

ACCESS SERVICE

7. Special Access Service (Cont'd)

7.2 Service Descriptions (Cont'd)

The Telephone Company will maintain existing transmission specifications on services installed prior to the effective date of this tariff, except that the existing services with performance specifications exceeding the standard listed in this provision will be maintained at the performance levels specified in this tariff. All services installed after the effective date of this tariff will conform to the transmission specification or standards contained in this tariff or in the following Technical References for each category of service:

Metallic	TR-NPL-000336
Telegraph	TR-NPL-000336
Direct Analog Service	*TR-NPL-000335
	*PUB 41004, Table 4
Dedicated Access Line	TR-NPL-000334
Program Audio	TR-NPL-000337
Video	TR-TSV-000338
	TR-ENG-000121
	AM-TR-NTP-000119
	AM-TR-NIS-000130
	AM-TR-NIS-000131
	AM-TR-NIS-000137
Wideband Analog**	TR-NPL-000339
Wideband Data**	TR-NPL-000340

Base Rate		
Services	*TR-NPL-000341	(T)
	AM-TR-OAT-000070	
DAL	AM-TR-NPL-000005	
Secondary Channel	*TR-NPL-000157	
DS1 Service	TR-INS-000342	(T)
	*PUB 62411	
	AM-TR-TMO-000106	
	AM-TR-TMO-000101	

\* In these publications, Direct Analog Service is referred to as Voice Grade Service, Base Rate Service as Digital Data Service and DS1 Service and DS3 Service as High Capacity Service. (T)

\*\* Wideband Analog and Wideband Data Services are limited to circuits in place as of August 11, 1988. (T)

(This page filed under Transmittal No. 1357)

Issued: October 6, 2003

Effective: October 21, 2003

ACCESS SERVICE

7. Special Access Service (Cont'd)

7.2 Service Descriptions (Cont'd)

Clear Channel Capability	*TR-NPL-000054	
DS3 Service	TR-INS-000342	(T)
Optical Interface:		
OC-3 Service,		(F)
OC-12 Service,	AM-TR-TMO-000072,	(F)
OC-48 Service and	AM-TR-TMO-000101 and	(F)
OC-192 Service	AM-TR-NIS-000111	(F)

7.2.1 Metallic Service

(A) Basic Channel Description

A Metallic channel is an unconditioned two-wire channel capable of transmitting low speed varying signals at rates up to 30 baud. This channel is provided by metallic or equivalent facilities. Metallic channels are provided between customer designated premises or between a customer designated premises and a Telephone Company Hub where bridging functions are performed. Interoffice metallic facilities will be limited in length to a total of five miles per channel, and be provided where facilities are available. Interoffice metallic facilities (wire pairs) are in diminishing supply, and can be expected to become less available as optical fiber is deployed and wire cables are removed.

\* In these publications, Direct Analog Service is referred to as Voice Grade Service and Base Rate Service as Digital Data Service, and DS1 Service and DS3 Service as High Capacity Service. (T)  
 (T)

(This page filed under Transmittal No. 1357)

Issued: October 6, 2003

Effective: October 21, 2003

ACCESS SERVICE

7. Special Access Service (Cont'd)

7.2 Service Descriptions (Cont'd)

7.2.1 Metallic Service (Cont'd)

(B) Technical Specifications Packages

Parameter	C	Package MT		
		1	2	3
DC Resistance				
Between Conductors	X	X	X	
Loop Resistance	X			X
Shunt Capacitance	X			X

The technical specifications are delineated in Technical Reference TR-NPL-000336.

(C) Network Channel Interfaces

Compatible network channel interfaces are set forth in 7.3 following.

T

(D) Optional Features and Functions

(1) Central Office Bridging Capability

(a) Three Premises Bridging - Provision of tip-to-tip and ring-to-ring connection in a central office of a metallic pair to a third customer designated premises.

(b) Series Bridging of up to 26 customer designated premises.

The following table shows the technical specifications packages with which the optional features and functions are available.

	Available with Technical Specifications Package MT-			
	C	1	2	3
Three Premises Bridging X	X		X	
Series Bridging	X		X	

(TR686)

Issued: January 8, 1993

Effective: February 12, 1993

ACCESS SERVICE

7. Special Access Service (Cont'd)

7.2 Service Descriptions (Cont'd)

7.2.2 Telegraph Grade Service

(A) Basic Channel Description

A Telegraph Grade Channel is an unconditioned channel capable of transmitting binary signals at rates of 0-75 baud or 0-150 baud. This channel is furnished for half-duplex or duplex operation. Telegraph Grade channels are provided between customer designated premises or between a customer designated premises and a Telephone Company Hub.

(B) Technical Specifications Packages

Parameter	Package TG -		
	C	1	2
Telegraph Distortion	X	X	X

The technical specifications are delineated in Technical Reference TR-NPL-000336.

(C) Network Channel Interfaces

Compatible network channel interfaces are set forth in 7.3 following.

T

(D) Optional Features and Functions

- (1) Telegraph Bridging (two-wire and four-wire)

The following table shows the technical specifications packages with which the optional features and functions are available.

	Available with Technical Specification Package TG-		
	C	1	2
Telegraph Bridging	X	X	X

(TR686)

Issued: January 8, 1993

Effective: February 12, 1993

**ACCESS SERVICE****7. Special Access Service (Cont'd)****7.2 Service Descriptions (Cont'd)****7.2.3 Direct Analog Service \*****(A) Basic Channel Description**

- (1)** A Direct Analog Service channel is a channel which provides voice frequency transmission capability in the nominal frequency range of 300 to 3000 Hz and may be terminated two-wire or four-wire. Direct Analog Service channels are provided between customer designated premises or between a customer designated premises and a Telephone Company Hub.
- (2)** Direct Analog Service may be ordered to allow connections between the customer designated premises and wire center which provides Other Network Services.

**(a) Dedicated Access Line (DAL)**

A Dedicated Access Line Service provides a channel for voice frequency transmission capability. The service provides a connection between the customer designated premises and a WATS serving office associated with the closed end of 800 Service, WATS or similar services. It is provided for use with Switched Access Service as set forth in Section 6 preceding, or as set forth in the intrastate Access Service tariff and/or local general services tariff of the Telephone Company. Switched access traffic delivered by means of a Dedicated Access Line is subject to Switched Access Service provisions of the applicable tariff. The jurisdiction of the Switched Access Service shall be determined as set forth in 2.3.10(E) preceding.

The choice of the type of signaling is at the option of the customer and subject to the technical limitations identified in the Technical Reference TR-NPL-000334. Dedicated Access Line Service is provided as an effective two-wire or an effective four-wire transmission path.

\* Also referred to as Voice Grade Service in Technical References.



ACCESS SERVICE

7. Special Access Service (Cont'd)  
 7.2 Service Descriptions (Cont'd)

7.2.3 Direct Analog Service (Cont'd)

(B) Technical Specifications Packages

Parameter	Package VG-												
	C*	1	2	3	4	5	6	7	8	9	10	11	12
Attenuation													
Distortion	X	X	X	X	X	X	X	X	X	X	X	X	X
C-Message Noise	X	X	X	X	X	X	X	X	X	X	X	X	X
Echo Control	X	X	X	X		X		X	X			X	X
Envelope Delay													
Distortion	X						X	X	X	X	X	X	X
Frequency Shift	X						X	X	X	X	X	X	
Impulse Noise	X					X	X	X	X	X	X	X	X
Intermodulation													
Distortion	X						X	X	X	X	X	X	
Loss Deviation	X	X	X	X	X	X	X	X	X	X	X	X	X
Phase Hits, Gain Hits, and Dropouts	X												
Phase Jitter X						X	X	X	X	X	X		
Signal-to-C-Message Noise					X								
Signal-to-C-Notch Noise	X					X	X	X	X	X	X	X	X

Package DAL

Parameters	1	2
Attenuation Distortion	X	X
C-Message Noise	X	X
Echo Control	X	X
Envelope Delay	X	X
Distortion		
Frequency Shift	X	X
Impulse Noise	X	X
Intermodulation	X	X
Distortion		
Loss Deviation	X	X
Phase Jitter	X	X
Signal-to-C	X	X
Notch Noise		

\* The desired parameters are selected by the customer from the list of available parameters.

**ACCESS SERVICE****7. Special Access Service (Cont'd)****7.2 Service Descriptions (Cont'd)****7.2.3 Direct Analog Service (Cont'd)****(B) Technical Specifications Packages (Cont'd)**

The technical specifications for these parameters (except for dropouts, gain hits, and phase hits) are delineated in Technical Reference TR-NPL-000334 and TR-NPL-000335. The technical specifications for dropouts, phase hits, and gain hits are delineated in Technical Reference PUB 41004, Table 4.

**(C) Network Channel Interfaces**

The following network channel interfaces for Direct Analog Service do not require signaling capability: AH, DA, DB, DD, DE, DS, NO, PR and TF.

The following network channel interfaces for Direct Analog Service require signaling capability: AB, AC, CT, DX, DY, EA, EB, EC, EX, GO, GS, LA, LB, LC, LO, LR, LS, RV and SF.

The following interfaces are available with DAL Service:  
LO, LS, DS, GO, GS, EA, EB, RV.

Compatible network channel interfaces are set forth in 7.3 following.

T

**(D) Optional Features and Functions****(1) Central Office Bridging Capability**

- (a)** Voice and DAL Bridging (two-wire and four-wire)
- (b)** Data Bridging (two-wire and four-wire)
- (c)** Telephoto Bridging (two-wire and four-wire)
- (d)** Dataphone Select-A-Station Bridging with sequential arrangement ports or addressable arrangement ports
- (e)** Telemetry and Alarm Bridging

Split Band, Active Bridging  
Passive Bridging  
Summation, Active Bridging

(TR686)

Issued: January 8, 1993

Effective: February 12, 1993

Director, Federal Regulatory, 4F20  
2000 W. Ameritech Center Drive  
Hoffman Estates, Illinois 60196-1025

**ACCESS SERVICE****7. Special Access Service (Cont'd)****7.2 Service Descriptions (Cont'd)****7.2.3 Direct Analog Service (Cont'd)****(D) Optional Features and Functions (Cont'd)****(2) Central Office Multiplexing**

Voice to telegraph grade: An arrangement that converts a Direct Analog channel to Telegraph Grade channels using frequency division multiplexing.

**(3) Conditioning**

Conditioning provides more specific transmission characteristics for Direct Analog Service. C-Type conditioning controls attenuation distortion and envelope delay distortion. Sealing Current helps maintain continuity on dry metallic loops.

In addition, a customer may desire that either the attenuation distortion or the envelope delay distortion, or both, be improved to more stringent specifications than those provided with C-Type conditioning. In such cases the customer has the option of ordering Improved Attenuation Distortion and Improved Envelope Delay Distortion, either separately or in combination, in lieu of C-Type conditioning. When either improved option (Improved Attenuation Distortion or Improved Envelope Delay Distortion) is ordered without the other, the performance specifications for the other parameter will be those provided with C-Type conditioning at no additional charge.

For two-point services, the parameters apply to each service. For multipoint services, the parameters apply to each mid-link or end-link. C-Type conditioning and Data Capability may be combined on the same service.

ACCESS SERVICE

7. Special Access Service (Cont'd)

7.2 Service Descriptions (Cont'd)

7.2.3 Direct Analog Service (Cont'd)

(D) Optional Features and Functions (Cont'd)

(3) Conditioning (Cont'd)

(a) C-Type Conditioning

C-Type Conditioning is provided for the additional control of attenuation distortion and envelope delay distortion on data services. The attenuation distortion and envelope delay distortion specifications for C-Type Conditioning are as set forth in the Technical References specified in 7.2.

**ACCESS SERVICE**

**7. Special Access Service (Cont'd)**

**7.2 Service Descriptions (Cont'd)**

**7.2.3 Direct Analog Service (Cont'd)**

**(D) Optional Features and Functions (Cont'd)**

**(3) Conditioning (Cont'd)**

ACCESS SERVICE

7. Special Access Service (Cont'd)

7.2 Service Descriptions (Cont'd)

7.2.3 Direct Analog Service (Cont'd)

(D) Optional Features and Functions (Cont'd)

(3) Conditioning (Cont'd)

(b) Improved Attenuation Distortion

Improved attenuation distortion is provided for additional control of attenuation distortion, and is provided in lieu of C-Type conditioning. The improved attenuation distortion specifications are as set forth in the Technical Reference specified in 7.2.

(c) Improved Envelope Delay Distortion

Improved envelope delay distortion is provided for additional control of envelope delay distortion, and is provided in lieu of C-Type conditioning. The improved envelope delay distortion specifications are as set forth in the Technical Reference specified in 7.2.

(d) Sealing Current Conditioning

Sealing Current Conditioning is provided to help maintain continuity on dry metallic loops. It is usually associated with four-wire DA or NO type network channel interfaces.

C

## ACCESS SERVICE

## 7. Special Access Service (Cont'd)

## 7.2 Service Descriptions (Cont'd)

## 7.2.3 Direct Analog Service (Cont'd)

## (D) Optional Features and Functions (Cont'd)

## (4) Customer Specified Premises Receive Level

This option allows the customer to specify the receive level at the Point of Termination. The level must be within a specific range delineated in Technical Reference TR-NPL-000335 and associated Addendum. T

## (5) Improved Termination

On Effective Four-Wire Transmission at Four-Wire Point of Termination (applicable to each two-wire port): Provides for a fixed 600 ohm impedance, variable level range and simplex reversal. Telephone Company equipment is required at the customer's premises where this option is ordered. The Improved Termination parameters are delineated in Technical Reference TR-NPL-000335.

## (6) Improved Return Loss

On Effective Two-Wire Transmission at Two-Wire Point of Termination: Provides for more stringent Echo Control specifications. In order for this option to be applicable, the transmission path must be four-wire at one POT and two-wire at the other POT. Placement of Telephone Company equipment may be required at the customer's premises with the two-wire POT. The Improved Return Loss parameters are delineated in Technical Reference TR-NPL-000335.

## (7) Data Capability

Data Capability provides transmission characteristics suitable for data communications. Specifically, Data Capability provides for the control of Signal to C-Notched Noise Ratio and intermodulation distortion. It is available for two-point services or multipoint services.

**ACCESS SERVICE**

**7. Special Access Service (Cont'd)**

**7.2 Service Descriptions (Cont'd)**

**7.2.3 Direct Analog Service (Cont'd)**

**(D) Optional Features and Functions (Cont'd)**

**(7) Data Capability (Cont'd)**

The Signal to C-Notched Noise Ratio and intermodulation distortion parameters for Data Capability are:

- Signal to C-Notched Noise Ratio is equal to or greater than 32dB
- Intermodulation distortion:
- Signal to second order modulation products (R2) is equal to or greater than 38dB
- Signal to third order modulation products (R3) is equal to or greater than 42dB

When a service equipped with Data Capability is used for voice communications, the quality of the voice transmission may not be satisfactory.

**(8) Telephoto Capability**

Telephoto Capability provides transmission characteristics suitable for telephotographic communications. Specifically Telephoto Capability is provided for the control of attenuation distortion and envelope delay distortion on telephotographic services. The attenuation distortion and envelope delay distortion parameters for Telephoto Capability are:

<b>Attenuation Distortion</b>		<b>Envelope Delay Distortion</b>	
<i>(1004Hz Reference)</i>			
<b>Frequency Range (Hz)</b>	<b>Variation (dB)</b>	<b>Frequency Range (Hz)</b>	<b>Variation (mcs)</b>
504-3004	-0.5 to +1.5	1004-2604	110
304-3204	-1.0 to +2.5	804-2804	180



**ACCESS SERVICE****7. Special Access Services (Cont'd)****7.2 Service Descriptions (Cont'd)****7.2.3 Direct Analog Service (Cont'd)****(D) Optional Features and Functions (Cont'd)****(9) Signaling Capability**

Signaling Capability provides for the process by which one customer premises alerts another customer premises on the same service with which it wishes to communicate.

**(10) Code Select Signaling Arrangement**

An arrangement that permits code selective ringing for up to ten codes on a multipoint service.

**(11) Transfer Arrangement**

An arrangement that affords the customer an additional measure of flexibility in the use of their access channel(s). The arrangement can be utilized to transfer Special Access Service to another channel that terminates in either the same or a different customer premises. A key activated or dial-up control service is required to operate the transfer arrangement. A spare channel, if required, is not included as part of the option.

**(12) DAL Options****(a) DAL Improved Voice Transmission**

- (i)** Improved two-wire voice transmission specifications (specifications are set forth
- (ii)** Improved four-wire voice transmission with E&M Lead Interface Specifications.

**(b) Other Options**

Certain other options associated with DAL services are either Line Termination or Common Switching optional features as defined in Section 6 preceding.

ACCESS SERVICE

7. Special Access Services (Cont'd)

7.2 Service Descriptions (Cont'd)

7.2.3 Direct Analog Service (Cont'd)

(D) Optional Features and Functions (Cont'd)

(13) Line-Powered Data Station Termination Unit (DST)

Line-powered DSTs are available at customer-designated premises in lieu of commercial-powered DSTs. This option is available on new and existing channels with two-wire or four-wire, two-point or multi-point channels.

(14) DS0 Fiber Hub Cross-Connection

An arrangement to cross-connect DS0 (Direct Analog to Direct Analog) terminations at all designated Fiber Hub locations (described in 7.4.10 following).

N  
|  
N

(TR676)

Issued: November 24, 1992

Effective: January 8, 1993

Director, Federal Regulatory, 4F20  
2000 W. Ameritech Center Drive  
Hoffman Estates, Illinois 60196-1025

ACCESS SERVICE

7. Special Access Service (Cont'd)

7.2 Service Descriptions (Cont'd)

7.2.3 Direct Analog Service (Cont'd)

(E) The following table shows the technical specifications packages with which the optional features and functions are available.

	Available with Technical Specifications Package VG-												
	C	1	2	3	4	5	6	7	8	9	10	11	12
C-Type Conditioning Central Office Bridging Capability	X					X	X	X	X	X	X		
Central Office Multiplexing	X						X					X	X
Code Select Signaling Arrangement	X		X										X
Customer Specified Premises Receive Level	X		X	X				X	X	X			
Data Capability	X						X	X			X		
Improved Attenuation Distortion	X					X	X	X	X	X	X		
Improved Envelope Delay Distortion	X					X	X	X	X	X	X		
Improved Termination	X	X	X	X	X	X	X	X	X	X	X	X	X
Improved Return Loss For Effective Two-Wire Transmission	X		X	X				X					
Sealing Current Conditioning	X					X	X				X		
Signaling Capability	X	X	X	X				X	X	X			
Telephoto Capability	X											X	
Transfer Arrangement	X	X	X	X	X	X	X	X	X	X	X	X	X

Certain material previously on this page now appears on Original Page 256.1.

Issued: May 21, 1991  
TR537

Effective: June 25, 1991

Assistant Vice President  
10 S. Wacker Drive, Floor 22  
Chicago, Illinois 60606

ACCESS SERVICE

7. Special Access Service (Cont'd)

7.2 Service Descriptions (Cont'd)

7.2.3 Direct Analog Service (Cont'd)

(F) Four-Wire/Two-Wire Conversions

When a customer requests that an effective four-wire channel be terminated with a two-wire channel interface at the customer designated premises, a four-wire to two-wire conversion is required. The rate for the conversion is included as part of the basic Local Distribution Channel rate.

M  
|  
M  
|  
C  
|  
M  
|  
M

Certain material on this page previously appeared on 3rd Revised Page 256.

Issued: May 21, 1991

Effective: June 25, 1991

Director, Federal Regulatory, 4F20  
2000 W. Ameritech Center Drive  
Hoffman Estates, Illinois 60196-1025

ACCESS SERVICE

7. Special Access Service (Cont'd)

7.2 Service Descriptions (Cont'd)

7.2.4 Program Audio Service

(A) Basic Channel Description

A Program Audio channel is a channel measured in Hz for the transmission of a complex signal voltage. The actual bandwidth is a function of the network channel interface selected by the customer. Only one-way transmission is provided. Program Audio channels are provided between customer designated premises or between a customer designated premises and a Telephone Company Hub.

(B) Technical Specifications Packages

Parameter	C*	Package AP-			
		1	2	3	4
Actual Measured Loss	X	X	X	X	X
Amplitude Tracking					
Crosstalk	X	X	X	X	X
Distortion Tracking	X				
Gain/Frequency					
Distortion	X	X	X	X	X
Group Delay	X				
Noise	X	X	X	X	X
Phase Tracking	X				
Short-Term Gain					
Stability	X				
Short-Term Loss	X				
Total Distortion	X	X	X	X	X

The technical specifications are delineated in Technical Reference TR-NPL-000337 and associated addendum.

(C) Network Channel Interfaces

The following network channel interfaces (CIs) define the bandwidths that are available for a Program Audio channel:

T

\* The desired parameters are selected by the customer from the list of available parameters.

**ACCESS SERVICE**

**7. Special Access Service (Cont'd)**

**7.2 Service Descriptions (Cont'd)**

**7.2.4 Program Audio Service (Cont'd)**

**(C) Network Channel Interfaces (Cont'd)**

<b>CI</b>	<b>Bandwidth</b>
PG-1	Nominal frequency from 50 to 15000 Hz
PG-3	Nominal frequency from 200 to 3500 Hz
PG-5	Nominal frequency from 100 to 5000 Hz
PG-8	Nominal frequency from 50 to 8000 Hz

Compatible network channel interfaces are set forth in 7.3 following.

T

**(D) Optional Features and Functions**

**(1) Central Office Bridging Capability**

Distribution Amplifier

**(2) Gain Conditioning**

Control of 1004 Hz AML at initiation of service to 0dB + 0.5 dB.

**(3) Stereo**

Provision of a pair of gain/phase equalized channels for stereo applications. (Additional AP channel must be ordered separately.)

The following table shows the technical specifications packages with which the optional features and functions are available.

	<b>Available with Technical Specifications Package AP-</b>				
	<b>C</b>	<b>1</b>	<b>2</b>	<b>3</b>	<b>4</b>
Central Office Bridging Capability	X	X	X	X	X
Gain Conditioning	X	X	X	X	X
Stereo	X				X

(TR686)

Issued: January 8, 1993

Effective: February 12, 1993

Assistant Vice President, 4F08  
 2000 W. Ameritech Center Drive  
 Hoffman Estates, Illinois 60196-1025

ACCESS SERVICE

7. Special Access Service (Cont'd)

7.2 Service Description (Cont'd)

7.2.5 Video Service

(A) Basic Channel Description

A Video Channel is a channel with one-way transmission capability for a standard 525 line/60 field monochrome, or National Television Systems Committee color, video signal and one or more associated audio signal(s) as described below. The Provision and the bandwidth of the associated audio signal(s) is a function of the network channel interface selected by the customer.

(1) TV Analog Video Service

The bandwidth for TV Analog Video Service is either 30 Hz to 4.5MHz or 30 Hz to 6.6MHz. The associated audio signal(s) may be either diplexed or provided as one or more separate channels. Up to 4 channels of audio are available, the third and fourth audio channels are optional elements. Three or four audio channels may be transported across a video switch when each segment, of the circuit, supports four audio channels, else, only two audio channels will be supported. TV Analog Video Service channels are provided between customer designated premises, between a customer designated premises and a Telephone Company Hub or between Telephone Company Video Hubs.

N  
|  
N  
T

TV 1 Analog Video Service rate categories are composed of Local Distribution Channels (LDCs) for facilities between the customers premises and serving wire center, Channel Mileage and Channel Mileage Terminations for interoffice facilities and Optional Features and Functions.

C

Daily, Monthly and Optional Payment Plan (OPP) recurring rates are available for TV 1 Analog Video Service LDCs as set forth in Section 7.5.5(A)(1)(a).

T

Daily, Monthly and OPP recurring Channel Mileage Termination (CMT) and Channel Mileage (CM) rates are available for TV1 Analog Video interoffice transport as set forth in Sections 7.5.5(A)(2)(a) and 7.5.5(A)(3)(a). Hourly rates are available for TV1 Analog Video interoffice transport between Telephone Company video hubs as set forth in Sections 7.5.5(A)(2)(b) and 7.5.5(A)(3)(b).

T  
T  
T

Certain material previously on this page now appears on 2nd revised page 259.1

(TR1086)

Issued: April 30, 1997

Effective: May 15, 1997

Director, Federal Regulatory Planning & Policy, 4G62  
 2000 W. Ameritech Center Drive  
 Hoffman Estates, Illinois 60196-1025

ACCESS SERVICE

7. Special Access Service (Cont'd)

7.2 Service Description (Cont'd)

7.2.5 Video Service

(A) Basic Channel Description

(2) Digital Video Service

Digital Video Service is the receipt or hand-off of a one-way base band or digital video signal at the network interface. The bit rate for digital video service is 45Mbps. One to four associated audio signal(s) may be provided at 15kHz. Digital Video Service may not be mixed with TV Analog Video Service. Digital Video Service channels are provided between customer designated premises and/or a Telephone Company Video Hub.

Digital Video Service will be provided with or without Telephone Company provided video enabling equipment at the network interface. Every Digital Video Service requires at least one Local Distribution Channel that specifies customer baseband network interface, which includes Telephone Company provided video enabling equipment.

Digital Video Service rate categories are composed of Local Distribution Channels (LDCs) for facilities between the customers premises and serving wire center, Channel Mileage and Channel Mileage Terminations for interoffice facilities and Optional Features and Functions. Daily, Monthly and Optional Payment Plan (OPP) recurring rates are available for Digital Video Service LDCs as set forth in Section 7.5.5(B)(1)(a).

Daily, Monthly and OPP recurring Channel Mileage Termination (CMT) and Channel Mileage (CM) rates are available for Digital Video interoffice transport as set forth in Sections 7.5.5(B)(2) and 7.5.5(B)(3).

M  
M  
T  
M  
M  
N  
N

Certain material on this page previously appeared on 4th revised page 259.  
Certain material previously on this page now appears on original page 259.1.1

(TR1086)

Issued: April 30, 1997

Effective: May 15, 1997

Director, Federal Regulatory Planning & Policy, 4G62  
2000 W. Ameritech Center Drive  
Hoffman Estates, Illinois 60196-1025



## ACCESS SERVICE

## 7. Special Access Service (Cont'd)

## 7.2 Service Description (Cont'd)

## 7.2.5 Video Service (Cont'd)

## (A) Basic Channel Description (Cont'd)

## (3) Supertrunking Video Service (SVS) (T)

SVS provides fiber based one-way transport of multiple amplitude modulated (AM) vestigial sideband (VSB) standard 525 line/60 field monochrome or National Television Systems Committee (NTSC) color video signals and associated audio signals. SVS provides for the transmission of a single AM Radio Frequency (RF) signal that is a composite of multiple AM-VSB video signals each limited to a 6 MHz bandwidth. SVS will carry up to 110 6 MHz channels of video programming within a bandwidth of 54 MHz to 750 MHz. (T)

SVS provides one-way video transport on a point-to-point or multipoint basis. Point-to-point SVS is provided between customer designated premises. Multipoint SVS is provided between a customer designated premises and multiple customer designated premises via a Telephone Company Central Office. (T)

The signal quality of the video channel depends on;

- 1) The total number of video signals that are transported,
- 2) The end-to-end loss budget of the video circuit.

Customers may select from performance packages which support either 30, 60, 80 or 110 channels. Each package has unique set of performance parameters and distance limitations as specified in Technical Reference AM-TR-NIS-000131.

SVS rate categories are composed of Local Distribution Channels (LDCs) for facilities between the customers premises and serving wire center, Channel Mileage and Channel Mileage Terminations for interoffice facilities and Optional Features and Functions. Monthly and Optional Payment Plan (OPP) recurring rates are available for SVS LDCs as set forth in Section 7.5.5(C)(1)(a). (T)

Monthly and OPP recurring Channel Mileage Termination (CMT) and Channel Mileage (CM) rates are available for SVS interoffice transport as set forth in Sections 7.5.5(C)(2) and 7.5.5(C)(3). (T)

The Optional Features and Functions Video Bridging and Video Repeater are available with SVS at rates set forth in Section 7.5.5(C)(4)(a) and (b). (T)

(This page filed under Transmittal No. 1357)

Issued: October 6, 2003

Effective: October 21, 2003

ACCESS SERVICE

7. Special Access Service (cont'd)

7.2 Service Description (cont'd)

7.2.5 Video Service (cont'd)

(A) Basic Channel Description (cont'd)

(4) Multichannel Video Service (MVS) (T)

MVS provides fiber based one-way transport of multiple high quality video and audio signals. An MVS transport system provides for up to 16 video transport channels, which may provide anywhere from 8 to 32 individual video service channels, depending on the blend of MVS sub-services (A/C/D) utilized. (T)

Each MVS video transport channel may accommodate a single uncompressed broadcast analog video service channel with associated audios (MVS-A); or two digital video service channels with associated audio streams (MVS-D). Two video transport channels may accommodate a single serial component video service channel with embedded ancillary data streams and audio (MVS-C). An MVS transport system supports 16 transport channels which may accommodate a representative blend of the above video service channels. (T)

The technical specifications for MVS video transport are described in Technical Reference AM-TR-NIS-000130. Customers must provide specific equipment at their premises as specified in this Technical Reference. (T)

MVS provides one-way point-to-point or point to multi-point video transport systems with a total of 16 video transport channels per system: (T)

- 1) MVS Hub Transport - A multichannel video transport service between a customer designated premises and a Telephone Company Video Hub office. (T)

A hub transport system may be cross connected at the individual channel level with compatible video services or to another compatible MVS hub transport system, at the Telephone Company hub. (T)

Hub transport systems may be provided on a point to multipoint basis.

- 2) MVS Customer Premises Transport - A multichannel video transport service between two customer designated premises provisioned via a Telephone Company Central Office. (T)

(This page filed under Transmittal No. 1357)

## ACCESS SERVICE

## 7. Special Access Service (Cont'd)

## 7.2 Service Description (Cont'd)

## 7.2.5 Video Service (Cont'd)

## (A) Basic Channel Description (Cont'd)

## (4) Multichannel Video Service (MVS) (Cont'd)

MVS transport systems provide for the following types of video service channels:

- A) Analog (MVS-A) provides a standard 525 line/60 field monochrome or National Television Systems Committee (NTSC) color video signal and associated audio signals. MVS-A provides for the transmission of an individual uncompressed analog video service channel each with up to four, associated 50 Hz to 15 kHz audio channels. The audio channels provide for Stereo, Second Audio Program (SAP), Broadcast Television Steering Committee (BTSC) or Professional (PRO) aural transport. An MVS transport system will support up to 16 MVS-A video service channels.
- B) Component (MVS-C) provides a high quality digital 4:2:2 10-bit component ANSI/SMPTE 259M video channel. Each component video service channel requires two MVS transport channels, thereby reducing the number of Serial Component video service channels to 8 per transport system. Ancillary data streams; i.e. digital audio, machine or time control, and audio channels, may be embedded by the customer.
- C) Digital (MVS-D) provides a multiplexed 45 Mbps video service channel which may accommodate MPEG-2 system compliant encoded video and audio stream as described in MPEG-2 Systems International Standard ISO/IEC 1-13818 IS. Two MVS-D video service channels may be accommodated by a single video transport channel, thereby providing up to 32 MVS-D video service channels per transport system. Audio channels may be embedded by the customer.

(This page filed under Transmittal No. 1357)

Issued: October 6, 2003

Effective: October 21, 2003

ACCESS SERVICE

7. Special Access Service (cont'd)

7.2 Service Description (cont'd)

7.2.5 Video Service (cont'd)

(A) Basic Channel Description (cont'd)

(4) Multichannel Video Service (MVS) (cont'd)

MVS rate categories are composed of Local Distribution Channels (LDCs), a transport system with associated video service channels, for facilities between the customer premises and serving wire center, Channel Mileage and Channel Mileage Terminations for interoffice facilities and Optional Features and Functions. Monthly and Optional Payment Plan (OPP) recurring rates are available for MVS LDCs as set forth in Section 7.5.5(D)(1).

(T)  
(T)

Monthly and OPP recurring Channel Mileage Termination (CMT) and Channel Mileage (CM) rates are available for MVS interoffice transport as set forth in Sections 7.5.5(D)(2) and 7.5.5(D)(3).

(T)

(T)

The Optional Features and Functions MVS Regenerator, MVS Video Bridging, MVS Route Survivability and MVS Service Survivability are available with MVS at rates set forth in Section 7.5.5(D)(4)(a), (b), (c) and (d).

(T)  
(T)

(This page filed under Transmittal No. 1357)

Issued: October 6, 2003

Effective: October 21, 2003

ACCESS SERVICE

7. Special Access Service (Cont'd)

7.2 Service Description (Cont'd)

7.2.5 Video Service (Cont'd)

(A) Basic Channel Description (Cont'd)

(5) Wideband Analog Video Service (WAVS)

WAVS provides fiber based one-way analog high resolution video transport. The video transport provided by WAVS is capable of transmitting a 945 line/60 field video signal within a 20 MHz bandwidth, or a Digital Brite Radar Indicator Tower Equipment (DBRITE) video signal. Where facilities are not available, Special Construction charges may apply.

Wideband Analog Video Service is available on a point-to-point basis. The technical specifications for WAVS video transport are described in Technical Reference AM-TR-NTP-000119.

WAVS rate categories are composed of Local Distribution Channels (LDCs) for facilities between the customers premises and serving wire center, Channel Mileage and Channel Mileage Terminations for interoffice facilities and Optional Features and Functions. Monthly and Optional Payment Plan (OPP) recurring rates are available for WAVS LDCs as set forth in Section 7.5.5(E)(1)(a).

Monthly and OPP recurring Channel Mileage Termination (CMT) and Channel Mileage (CM) rates are available for WAVS interoffice transport as set forth in Sections 7.5.5(E)(2) and 7.5.5(E)(3).

The Optional Features and Functions Video Repeater and Automatic Protection Switching are available with WAVS at rates set forth in Section 7.5.5(E)(4)(a) and (b).

T  
M  
M  
N  
N

Certain material on this page previously appeared on 2nd revised page 259.3  
Certain material previously on this page now appears on original page 259.6

(TR1086)

Issued: April 30, 1997

Effective: May 15, 1997

Director, Federal Regulatory Planning & Policy, 4G62  
2000 W. Ameritech Center Drive  
Hoffman Estates, Illinois 60196-1025

ACCESS SERVICE

7. Special Access Service (cont'd)

7.2 Service Descriptions (cont'd)

7.2.5 Video Service

(A) Basic Channel Description (cont'd)

(6)<sup>(1)</sup>

(D)

<sup>(1)</sup> Material in this Section has been de-tariffed as required by the Commission upon use of the forbearance relief pursuant to FCC Memorandum Opinion and Order No. 07-180, released October 12, 2007. Terms and Conditions associated with de-tariffed services are available at [www.att.com/guidebook](http://www.att.com/guidebook).

(This page filed under Transmittal No. 1666)

ACCESS SERVICE

7. Special Access Service (Cont'd)

7.2 Service Descriptions (Cont'd)

7.2.5 Video Service

(B) Technical Specifications Packages

Parameter	Package TV -		
	C*	1	2
Amplitude vs. Frequency Response	X		
Chrominance/Luminance Inequalities			
Gain	X	X	X
Delay	X	X	X
Chrominance/Luminance Intermodulation	X		
Chrominance Nonlinear Gain	X		
Chrominance Nonlinear Phase	X		
Crosstalk	X		X
Differential Gain	X	X	X
Differential Phase	X	X	X
Dynamic Gain (picture and sync signal)	X		
Field-Time Distortion	X	X	X
Gain/Frequency Distortion	X	X	X
Gain Stability	X	X	X
Insertion Gain	X	X	X
Line-Time Distortion	X	X	X
Long-Time Distortion	X	X	X

M

M

Certain material on this page previously appeared on Original Page 259.4.

\* The desired parameters are selected by the customer from the list of available parameters.

(TR1086)

Issued: April 30, 1997

Effective: May 15, 1997

Director, Federal Regulatory Planning & Policy, 4G62  
2000 W. Ameritech Center Drive  
Hoffman Estates, Illinois 60196-1025

ACCESS SERVICE

7. Special Access Service (Cont'd)

7.2 Service Description (Cont'd)

7.2.5 Video Service (Cont'd)

(B) Technical Specifications Packages ( Cont'd)

Parameter	Package TV -		
	C*	1	2
Luminance Nonlinearity	X		
Luminance Signal/CCIR			
Weighted Noise	X	X	X
Short-Time Distortion			
2 T Pulse	X	X	X
T - Bar Ringing	X	X	X
Signal/15 kHz Flat			
Weighted Noise	X	X	X
Signal/Low Frequency			
Noise	X		
Stereo Gain Difference	X	X	
Stereo Phase Difference	X	X	
Total Harmonic Distortion	X	X	X
Transient Sync Signal			
Non-Linearity	X		
Video/Audio Delay			
Difference	X		

The technical specifications are delineated in Technical Reference TR-TSV-000338, AM-TR-NTP-000119, AM-TR-NIS-000130, AM-TR-NIS-000131, AM-TR-NIS-000137, and associated Addendum and TR-ENG-000121.

Cx  
Nx

(C) Network Channel Interfaces

The following network channel interfaces (CIs) define the bandwidth and the provision of the audio signal(s) associated with a Video channel:

CI	Audio Bandwidth	Provision
2TV6-1	15kHz	1 Channel, diplexed
2TV6-2	15kHz	2 Channels, diplexed
2TV7-1	15kHz	1 Channel, diplexed
2TV7-2	15kHz	2 Channels, diplexed

\* The desired parameters are selected by the customer from the list of available parameters.

x Issued under authority of Special Permission No. 96-633. (TR987)

Issued: August 1, 1996

Effective: September 15, 1996



ACCESS SERVICE

7. Special Access Service (cont'd)

7.2 Service Description (cont'd)

7.2.5 Video Service (cont'd)

(C) Network Channel Interfaces ( cont'd)

CI	Audio Bandwidth	Provision
06TV6.15	15kHz	1 or 2 Channels, diplexed
10TV6.15A	15kHz	1 to 4 Channels, diplexed
02WV6.J.-O		1 Channel, RF
02WV6.J.-O		1 Channel, RF
01WV6.L.-O	50Hz to 15kHz	1,2 or 4 Channels
01WV6.L.-O	50Hz to 15kHz	1,2 or 4 Channels
02WV6.K	No Audio	
02TD6.20.-O	20 kHz	1 to 6 Channels
02TD6.20.-O	20 kHz	1 to 6 Channels

(D) Optional Features and Functions

(1) Video Bridging Capability

Video Bridging Capability is available with Supertrunking Video Service (SVS) and Multichannel Video Service (MVS). When the Video Bridging Capability option is ordered in conjunction with SVS/MVS, the composite SVS/MVS signal will be optically split to allow one-way transmission to multiple customer designated premises. Each of the multiple customer premises receives the same composite SVS/MVS video signal. This option is required with SVS/MVS multipoint configurations when the splitting function is not combined with the retransmission of the SVS/MVS signal. (T)

When MVS Video Bridging is used, all receiving segments of the circuit must have the same video service channels (MVS /C/D) as the originating segment. (T)

(2) Video Repeater

Video Repeaters provide for the retransmission of the video signal. A Video Repeater will be required when the distance between the customer designated video customer premises is greater than the single system optical power budget. The Video Repeater function is divided into Video Receive Repeater and Video Transmitter Repeater rate elements to accommodate customer requests to simultaneously split and retransmit SVS video signals. The Video Repeater option is available for SVS and WAVS video services. (T)

(This page filed under Transmittal No. 1357)

ACCESS SERVICE

7. Special Access Service (Cont'd)

7.2 Service Description (Cont'd)

7.2.5 Video Service (Cont'd)

(D) Optional Features and Functions (Cont'd)

(3) Video Regenerator

Video Regenerators provide for the regeneration of the digital video signals. The Video Regenerator option is available for <sup>(1)</sup> Multichannel Video Service (MVS) services. (D)

A Video Regenerator is required for MVS Hub Transport when the distance between the customer designated premises and the Telephone Company Video Hub office is greater than the single system optical power budget. A Video Regenerator is required for MVS Customer Premises Transport when the distance between the originating or terminating customer designated premises and the Telephone Company Central Office, through which MVS is provided, is greater than the single system optical power budget. Video Regenerators may be required with the MVS Route Survivability or MVS Service Survivability options.

(1)

(D)  
(D)  
(D)

(4) Automatic Protection Switching (APS)

The Automatic Protection Switching option is available between two like point to point video services. The customer designates one video service as the primary working service and the other video service as the secondary protect service. APS automatically switches from the primary working service to the secondary protect service when light is not detected on the fiber pair associated with primary working service. APS is available with Wideband Analog Video Service.

(5) TV Analog Video Optional 3rd or 4th Audio Channel

A third and fourth associated audio channel may be provided over either a diplexed channel or provided as one or two separate channels

<sup>(1)</sup> Material in this Section has been de-tariffed as required by the Commission upon use of the forbearance relief pursuant to FCC Memorandum Opinion and Order No. 07-180, released October 12, 2007. Terms and Conditions associated with de-tariffed services are available at [www.att.com/guidebook](http://www.att.com/guidebook).

(This page filed under Transmittal No. 1666)

**ACCESS SERVICE****7. Special Access Service (Cont'd)****7.2 Service Description (Cont'd)****7.2.5 Video Service (Cont'd)****(D) Optional Features and Functions (Cont'd)****(6) AMVS Route Survivability**

The AMVS Route Survivability option is available for individual two point AMVS Services; i.e., either AMVS Customer Premises Transport between two customer designated premises or AMVS Hub Transport between a customer designated premises and a Telephone Company Video Hub. AMVS Route Survivability provides a transmission path that is diverse from the normal transmission path designated by the Telephone Company (see example below).

AMVS Route Survivability is available for either the AMVS Local Distribution Channels (LDCs) and/or AMVS Channel Mileage associated with either AMVS Customer Premises Transport or AMVS Hub Transport service. AMVS LDC Route Survivability provides a transmission path between the customer's designated premises and serving wire center that is diverse from the normal LDC path. AMVS Channel Mileage (CM) Route Survivability provides an interoffice transmission path that is diverse from the normal interoffice transmission path between serving wire centers.

When the customer orders an AMVS service with the AMVS LDC or CM Route Survivability option, only the AMVS LDC or CM Route Survivability rates in Section 7.5.5(E)(4)(b) apply for the LDC or CM portion of the diversely routed service. AMVS Route Survivability nonrecurring charges in Section 7.5.5(E)(4)(b) will apply to diversely routed portions of an AMVS service in addition to the AMVS nonrecurring charges in Section 7.5.13.

Prior to confirming an order for AMVS Route Survivability, the Telephone Company will provide a proposed route diagram to the customer. Any routing which is common to the normal and diverse routes (e.g., entrances to the customer's premises or at a wire center) will be disclosed to the customer. The diagram will include the number of quarter route miles for AMVS LDC Route Survivability and the method used to determine the mileage. The Telephone Company will only provide the route survivability information to the ordering customer in order to insure that the information is not compromised. Where facilities are not available, Special Construction may apply.

The installation of the AMVS Route Survivability option will not begin until the customer has accepted the proposed routing.

(TR1086)

---

**Issued: April 30, 1997****Effective: May 15, 1997**

**ACCESS SERVICE****7. Special Access Service (Cont'd)****7.2 Service Description (Cont'd)****7.2.5 Video Service (Cont'd)****(D) Optional Features and Functions (Cont'd)****(7) AMVS Service Survivability**

T

AMVS Service Survivability provides diversity for part or all of a network of three or more interconnected customer designated premises. AMVS Service Survivability provides diversity between the multiple separate AMVS Customer Premises Transport services that interconnect the customer premises on the network. AMVS Service Survivability is available for both AMVS LDCs and/or AMVS Channel Mileage. The customer must specify which AMVS services or portions of AMVS Service will be diverse from other AMVS services or portions of AMVS services within the network. The Telephone Company will work cooperatively with the customer to identify which portions of each different AMVS service requires diverse routing to insure total network survivability.

With AMVS Service Survivability, the originating and terminating location of a specific AMVS service and the originating and terminating location of the AMVS service that the customer has chosen to be diverse from that specific AMVS service, may be different (see example below).

When the customer orders an AMVS service with the AMVS LDC or CM Service Survivability option, only the AMVS LDC or CM Service Survivability rates in Section 7.5.5(E)(4)(c) apply for the LDC or CM portion of the diversely routed service. Separate AMVS Service Survivability nonrecurring charges in Section 7.5.5(E)(4)(c) will apply to diversely routed portions of an AMVS service in addition to the AMVS nonrecurring charges in Section 7.5.13.

Prior to confirming an order for AMVS Service Survivability, the Telephone Company will provide a proposed route diagram to the customer. Any routing which is common to the normal and diverse routes (e.g., entrances to the customer's premises or at a wire center) will be disclosed to the customer. The diagram will include the number of quarter route miles for AMVS LDC Service Survivability and the method used to determine the mileage. The Telephone Company will only provide the Service Survivability information to the ordering customer to insure that the information is not compromised. Where facilities are not available, Special Construction may apply.

The installation of the AMVS Service Survivability option will not begin until the customer has accepted the proposed routing.

(TR1086)

Issued: April 30, 1997

Effective: May 15, 1997

ACCESS SERVICE

7. Special Access Service (Cont'd)

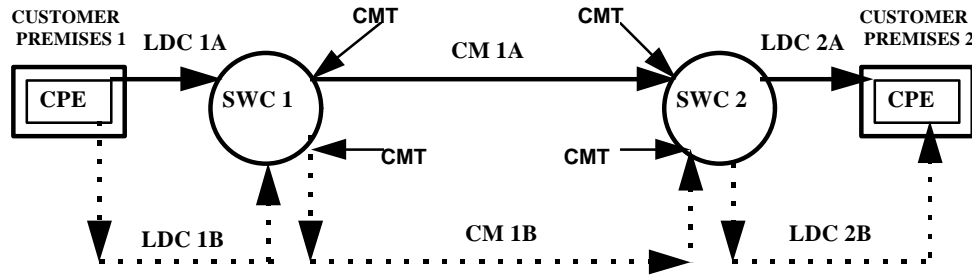
7.2 Service Description (Cont'd)

7.2.5 Video Service (Cont'd)

(D) Optional Features and Functions (Cont'd)

Below is a diagram that displays an AMVS Customer Premise Transport service with the AMVS Route Survivability option for both the local distribution channels and the interoffice channel mileage. The normally routed LDCs (LDC 1A and 2A) and CM (CM 1A) are represented by solid lines and the diversely routed LDCs (LDC 1B and 2B) and CM (CM 1B) are shown as dotted lines.

**AMVS Route Survivability**



LDC = Local Distribution Channels  
SWC = Serving Wire Center

CM = Channel Mileage  
CMT = Channel Mileage Termination

CPE = Customer Provided Equipment

N  
N

(TR922)

Issued: October 16, 1995

Effective: November 30, 1995

Director, Federal Regulatory Planning & Policy, 4G62  
2000 W. Ameritech Center Drive  
Hoffman Estates, Illinois 60196-1025

ACCESS SERVICE

7. Special Access Service (Cont'd)

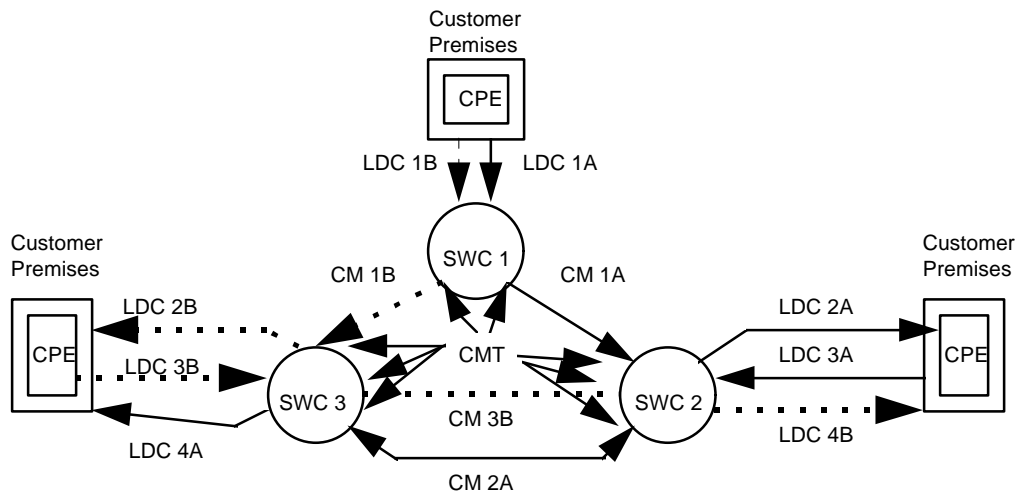
7.2 Service Description (Cont'd)

7.2.5 Video Service (Cont'd)

(D) Optional Features and Functions (Cont'd)

An example of AMVS Service Survivability is shown below. The example displays an AMVS Service Survivability arrangement consisting of a network of three customer premises locations. These locations are interconnected by two sets of individual AMVS Customer Premises Transport services. The customer, with the Telephone Company, will identify which portions of the interconnected AMVS services are to be diversely routed in order to protect against fiber cuts and help insure delivery of the AMVS video signal from Customer Premises 1 (CP1) to both CP2 and CP3. The solid arrows show the delivery of AMVS video signal from CP1 to CP2 and then to CP3. The dotted arrows display the delivery of AMVS video signal from CP1 to CP3 and then to CP2. With the AMVS Service Survivability option, the customer may choose to diversely route LDC 1B from LDC 1A, LDC 2B from LDC 4A, LDC 4B from LDC 2A, CM 1B from CM 1A and CM 3B from CM 1A.

AMVS Service Survivability



- LDC = Local Distribution Channels
- SWC = Serving Wire Center
- CM = Channel Mileage
- CMT = Channel Mileage Termination
- CPE = Customer Provided Equipment

(TR922)

Issued: October 16, 1995

Effective: November 30, 1995

N

ACCESS SERVICE

7. Special Access Service (Cont'd)

7.2 Service Descriptions (Cont'd)

7.2.6 Wideband Analog Service\* (Cont'd)

(A) Basic Channel Description

A Wideband Analog channel is a channel with a bandwidth measured in kHz for the transmission of a wideband signal. The actual bandwidth is a function of the network channel interface selected by the customer. Wideband Analog channels are provided between customer designated premises or between a customer designated premises and a Telephone Company Hub.

Tx  
 ||  
 Tx

(B) Technical Specifications Packages (Cont'd)

Parameter	Package WA-				
	1	2	2A	3	4
Gain/Frequency Characteristics of:					
-Group Connections	X			X	X
-Supergroup Connections		X			
-Mastergroup Connections			X		
Impulse Noise	X	X	X		
Net Loss Variations	X	X	X	X	X
Pilot Slot	X	X	X		
Spurious Single Frequency Tone	X	X	X		

The technical specifications are delineated in Technical Reference TR-NPL-000339 and associated Addendum.

\* Wideband Analog Service is limited to circuits in place as of August 11, 1988.  
 x Issued under authority of Special Permission No. 97-255.

(TR1119)

Issued: August 13, 1997

Effective: September 17, 1997

ACCESS SERVICE

Dx

Dx

x Issued under authority of Special Permission No. 97-255.

(TR1119)

Issued: August 13, 1997

Effective: September 17, 1997

Director, Federal Regulatory Planning & Policy, 4G62  
2000 W. Ameritech Center Drive  
Hoffman Estates, Illinois 60196-1025



**ACCESS SERVICE****7. Special Access Service (Cont'd)****7.2 Service Descriptions (Cont'd)****7.2.6 Wideband Analog Service\* (Cont'd)****(C) Network Channel Interfaces**

The following network channel interfaces (CIs) define the bandwidths that are available for a Wideband Analog channel:

<b>CI</b>	<b>Bandwidth</b>
AH-B 60 kHz	to 108 kHz (Group)
AH-C 312 kHz	to 552 kHz (Supergroup)
AH-D 564 kHz	to 3084 kHz (Mastergroup)
WD-1 300 Hz	to 18 kHz
28 kHz	to 44 kHz
WD-3 29 kHz	to 44 kHz

Compatible network channel interfaces are set forth in 7.3 following.

**(D) Optional Features and Functions****(1) Central Office Multiplexing****(a) Mastergroup to Supergroup**

An arrangement that converts a Mastergroup channel to ten Supergroup channels using frequency division multiplexing.

**(b) Supergroup to Group**

An arrangement that converts a Supergroup channel to five Group channels using frequency division multiplexing.

**(c) Group to Voice**

An arrangement that converts a Group channel to twelve voice grade channels using frequency division multiplexing. A channel(s) of this Group level service to the Hub can also be used for Program Audio or Metallic Services. Multiple channels may be required to provide individual Program Audio channels.

\* Wideband Analog Service is limited to circuits in place as of August 11, 1988.

(TR686)

Issued: January 8, 1993

Effective: February 12, 1993

ACCESS SERVICE

7. Special Access Service (Cont'd)

7.2 Service Descriptions (Cont'd)

7.2.6 Wideband Analog Service\*\* (Cont'd)

(D) Optional Features and Functions (Cont'd)

(1) Central Office Multiplexing (Cont'd)

(d) Group to DS1

An arrangement that converts two Group channels to a DS1 channel using analog to digital conversion.

The following table shows the technical specifications packages with which the optional features and functions are available.

	<b>Available with Technical Specifications Package WA -</b>				
	<b>1</b>	<b>2</b>	<b>2A</b>	<b>3</b>	<b>4</b>
Central Office Multiplexing:					
Mastergroup to Supergroup				X	
Supergroup to Group			X		
Group to Voice		X			
Group to DS1*					

\* Requires two channels with technical specifications package WA1 to form a WA1T service.

\*\* Wideband Analog Service is limited to circuits in place as of August 11, 1988.

**ACCESS SERVICE**

**7. Special Access Service (Cont'd)**

**7.2 Service Descriptions (Cont'd)**

**7.2.7 Wideband Data Service\***

**(A) Basic Channel Description**

A Wideband Data channel is an analog channel for the transmission of synchronous serial data at the rate of 19.2, 50.0, or 230.4 kbps or of asynchronous serial data at rates of up to 19.2, 50.0, or 230.4 kbps. Optional arrangements are available for transmission of synchronous serial data at 18.75 or 40.8 kbps. The actual bit rate is a function of the channel interface selected by the customer. This service requires a 303 Data Station(s). The 303 Data Station provides coupling between the customer's business machine and the wideband data transmission medium. A voiceband coordinating channel is also provided. Wideband Data channels are provided between customer designated premises.

**(B) Technical Specifications Packages**

Parameter	Package WD-		
	1	2	3
Error-Free Seconds	X	X	X

While in service, the monthly average of error-free seconds will be equal to or greater than 98.75%.

**(C) Network Channel Interfaces**

The following network channel interfaces (CIs) define the bit rates that are available for a Wideband Data channel:

CI	Bit Rate
WB-18S	18.75 kbps, synchronous
WB-19A	up to 19.2 kbps, asynchronous
WB-19S	19.2 kbps, synchronous
WB-23A	up to 230.4 kbps, asynchronous
WB-23S	230.4 kbps, synchronous
WB-40S	40.8 kbps, synchronous
WB-50A	up to 50.0 kbps, asynchronous
WB-50S	50.0 kbps, synchronous

Compatible network channel interfaces are set forth in 7.3 following.

T

\* Wideband Analog Service is limited to circuits in place as of August 11, 1988.

(TR686)

Issued: January 8, 1993

Effective: February 12, 1993

Director, Federal Regulatory, 4F20  
 2000 W. Ameritech Center Drive  
 Hoffman Estates, Illinois 60196-1025

ACCESS SERVICE

7. Special Access Service (Cont'd)

7.2 Service Descriptions (Cont'd)

7.2.7 Wideband Data Service\* (Cont'd)

(D) Optional Features and Functions

(1) Key Activated Transfer Arrangement

An arrangement that affords the customer an additional measure of flexibility in the use of their access channel(s). The arrangement can be utilized to transfer a leg of a Special Access Service to either a spare or working channel that terminates in either the same or a different customer premises. A key activated control service is required to operate the transfer arrangement. A spare channel, if required, is not included as a part of the option.

The following table shows the technical specifications packages with which the optional features and functions are available.

	Available with Technical Specifications Package WD-		
	1	2	3
Key Activated Transfer Arrangement	X	X	X

(D)

(D)

\* Wideband Data Service is limited to circuits in place as of August 11, 1988.

(D)

(D)

(This page filed under Transmittal No. 1289)

(T)

(D)

(D)

ACCESS SERVICE

7. Special Access Service (Cont'd)

7.2 Service Descriptions (Cont'd)

(D)

(D)

(This page filed under Transmittal No. 1289)

(T)  
(D)  
(D)

ACCESS SERVICE

7. Special Access Service (Cont'd)

(x)

(x)

(x) Issued under the authority of Special Permission No. 04-031 of the F.C.C.

(This page filed under Transmittal No. 1392)

Issued: April 26, 2004

Effective: April 27, 2004

One SBC Plaza, Dallas, Texas 75202

ACCESS SERVICE

7. Special Access Service (Cont'd)

(x)

(x)

(x) Issued under the authority of Special Permission No. 04-031 of the F.C.C.

(This page filed under Transmittal No. 1392)

Issued: April 26, 2004

Effective: April 27, 2004

One SBC Plaza, Dallas, Texas 75202

ACCESS SERVICE

7. Special Access Service (Cont'd)

7.2 Service Descriptions (Cont'd)

7.2.9 Base Rate Services, DS1 Service and DS3 Services

(T)  
 (T)

(A) Basic Channel Description

(1) General

Base Rate channels, DS1 channels, and DS3 channels provide digital transmission at the discrete bit rates of 2.4 Kbps, 4.8 Kbps, 9.6 Kbps, 19.2 Kbps, 56.0 Kbps, 64.0 Kbps, and 1.544 Mbps and 44.736 Mbps, with timing provided by the Telephone Company through the Telephone Company's facilities to the customer in the received bit stream. These services provide digital transmission with the following characteristics:

(T)

- Base Rate Services provide channels operating at terminating bit rates of 2.4 Kbps, 4.8 Kbps, 9.6 Kbps, 19.2 Kbps and 56.0 Kbps, and 64.0 Kbps;
- DS1 Service provides channels operating at the terminating bit rate of 1.544 Mbps; and,
- DS3 Service provides channels operating at the terminating bit rate of 44.736 Mbps.

(T)

(T)

(T)

Base Rate, DS1 and DS3 channels may be used to connect:

(T)

- a customer designated premises to another customer designated premises, or;
- a customer designated premises to a Telephone Company location where bridging, cross-connection or multiplexing functions are performed; or an ARS system location.
- two ANRS system locations may be connected via Base Rate, DS1 or DS3 Channel Mileage and Channel Mileage Terminations to interconnect Base Rate, DS1 or DS3 channels included in the customer's database for the Network Reconfiguration Service (described in 7.4.14(B)).

(T)  
 |  
 (T)

(This page filed under Transmittal No. 1357)

Issued: October 6, 2003

Effective: October 21, 2003



ACCESS SERVICE

7. Special Access Service (Cont'd)

7.2 Service Descriptions (Cont'd)

7.2.9 Base Rate Services, DS1 Service  
 and DS3 Service (Cont'd)

(T)  
 (T)

(A) Basic Channel Description (Cont'd)

(1) General (Cont'd)

Digital transmission paths for Base Rate Services, DS1 Service, and DS3 Service are differentiated by bit rate, and the quality of transmission is as delineated by the Channel Interface definitions in the Technical Reference Publications cited in Section 7.2 preceding. Customer options are available to customize the channels.

(T)

Base Rate Services, DS1 Service and DS3 Service channels may be connected to any other Base Rate Service, DS1 Service or DS3 Service at a Telephone Company Hub, and to certain other Special Access services as described in Section 7.2.9(B)(4)(f) following. When a customer orders service to a Telephone Company Hub, it is the customer's responsibility to assure that the channels connected at the Hub are compatible. Compatible network channel interfaces for interstate Special services are listed in Section 7.3 following.

(T)  
 (T)

When service is provided between a customer designated premises and a Telephone Company Fiber Hub location, listed in 7.4.10 following, that service is considered to end at the Fiber Hub location. Performance of the service is measured between the customer designated premises and the Fiber Hub location. Interconnection at the Fiber Hub is limited to DS1 Service and DS3 Service channels terminating at speeds of 1.544 and 44.736 Mbps, only (not available with DS1 - 128.0, 256.0 or 384.0 Kbps transport).

(T)  
 (T)

When service is provided between a customer designated premises and an ANRS system location, that service is considered to end at the ANRS system location. Performance of the service is measured between the customer designated premises and the ANRS system location. When service is provided between two ANRS system locations, that service is considered to end at the ANRS system locations, and performance of the service is measured between these two locations. Interconnection at the ANRS system location is limited to DS3, DS1 (1.544 Mbps and 128 - 384 Kbps) and Base Rate Services (2.4 - 64 Kbps) channels.

(T)  
 (T)

(This page filed under Transmittal No. 1357)

ACCESS SERVICE

7. Special Access Service (Cont'd)

7.2 Service Descriptions (Cont'd)

7.2.9 Base Rate Services, DS1 Service, and DS3 Services (Cont'd)

(T)  
(T)

(A) Basic Channel Description (Cont'd)

(1) General (Cont'd)

The customer may provide the Network Channel Terminating Equipment associated with Base Rate, DS1 and DS3 Local Distribution Channels at the customer premises. In Wisconsin only, provision of 19.2 Kbps service requires the customer to provide a Channel Service Unit equipped with the secondary channels capability enabled. The interim program for interconnection of such equipment is set forth in Technical Reference PUB as No. 1.

(T)

At the option of the customer, DS3 service may be provided by means of an optical channel interface at the customer's premises. When the optical interface is selected, the customer must provide the Optical Line Termination associated with the Ameritech service channels at the customer premises. Interconnection of such equipment is limited to those interfaces set forth in 7.2.9(B)(1) following and described in Technical Reference AM TR TMO-000072.

(T)

(2) Connection with Other Network Services

Base Rate Services, DS1 Service and DS3 Service may be ordered to allow connections between the customer designated premises and the wire center which provides other network services.

(T)

(a) Dedicated Access Line (DAL)

(i) DS1 DAL

A Dedicated Access Line can be provided as an DS1 transmission path between a customer designated premises and a WATS serving office. An DS1 DAL is available only when the WATS serving office is an appropriately equipped digital switch. In other offices, DS1 Service as described above with multiplexing option must be utilized if the customer desires an DS1 Service Interface.

(T)

(T)

(T)

(T)

(T)

(This page filed under Transmittal No. 1357)

ACCESS SERVICE

7. Special Access Service (Cont'd)

7.2 Service Descriptions (Cont'd)

7.2.9 Base Rate Services, DS1 Service and DS3 Services (Cont'd)

(T)  
(T)

(A) Basic Channel Description (Cont'd)

(2) Connection with Other Network Services

(a) Dedicated Access Line (DAL) (Cont'd)

(ii) Base Rate Service (56 Kbps) DAL

(T)

A Dedicated Access Line can be provided as an Base Rate Service (56 Kbps) transmission path between a customer designated premises and a Public Switched Digital Service (PSDS) serving office. An Base Rate Service (56 Kbps) DAL is available only when the PSDS serving office is an appropriately equipped digital switch.

(T)  
(T)

(B) Channel Configuration

(1) Base Rate, DS1, and DS3 Local Distribution Channels

(T)  
(T)

Base Rate, DS1, and DS3 channels consist of Local Distribution Channels (LDCs), interoffice transport and optional features and functions.

(T)

Base Rate Services, DS1 Service and DS3 Local Distribution Channels provide digital interconnection between the Telephone Company Serving Wire Center (SWC) and the customer. The customer may select from a variety of channel types that define the termination at the customer location. Each type has its own bit rate and transmission characteristics defined by the network channel interface codes. The actual bit rate and/or framing format is a function of the network channel interface selected by the customer. For example, Access to Extended Superframe (BSE - Extended Superframe Conditioning) extends the customer's Ameritech DS1 framing structure from 12 to 24 frames. This framing format is available at no additional charge.

(T)

(This page filed under Transmittal No. 1357)

ACCESS SERVICE

7. Special Access Service (Cont'd)

7.2 Service Descriptions (Cont'd)

7.2.9 Base Rate Services, DS1 Service and DS3 Service (Cont'd)

(B) Channel Configuration (Cont'd)

(1) Base Rate Services, DS1 Service and DS3 Service Local Distribution Channels (Cont'd)

The following types of LDCs are available:

Terminating Bit Rate	Loop Format	Data Transmission Format	Channel Interface
2.4 Kbps	4-Wire	Synchronous Serial	DU-24
4.8 Kbps	4-Wire	Synchronous Serial	DU-48
9.6 Kbps	4-Wire	Synchronous Serial	DU-96
19.2 Kbps	4-Wire	Synchronous Serial	DU-19
56.0 Kbps	4-Wire	Synchronous Serial	DU-56
56.0 Kbps(DAL)	2-Wire	Synchronous Serial	DU-16
56.0 Kbps(DAL)	4-Wire	Synchronous Serial	DU-56
64.0 Kbps	4-Wire	Synchronous Serial	DU-64
1.544 Mbps	4-Wire	Isochronous Serial	DS-15
44.736 Mbps	4-Wire	Isochronous Serial	DS-44
44.736 Mbps	4-Wire	Isochronous Serial	FC-56 or FC-12

When DS3 Service is provided using an optical channel interface, the customer is responsible for providing the Optical Line Termination (OLT) at the customer's premises. The OLT supplied at the customer premises must be compatible with the OLT used by the Telephone Company in the Serving Wire Center. The Telephone Company will work cooperatively with the customer to select compatible OLTs which conform to the requirements set forth in Technical Reference Publication AM TR TMO-000072.

All LDCs comprising a channel must have the same terminating bit rate unless multiplexing is performed at a Telephone Company Hub location.

Only certain LDC to LDC connections with unlike bit rates are allowable using multiplexing. The allowable multiplexing is described in Sections 7.2.9(B)(4)(f) and 7.4.7 following.

When DS1 LDCs are used in conjunction with DS1 128.0, 256.0, 384.0, 512.0 or 768.0 Kbps transport without multiplexing, the usable bandwidth available to the customer is 128.0, 256.0, 384.0, 512.0 or 768.0 Kbps, respectively.

(N)  
(N)

(This page filed under Transmittal No. 1390)

## ACCESS SERVICE

## 7. Special Access Service (Cont'd)

## 7.2 Service Descriptions (Cont'd)

7.2.9 Rate Services, DS1 Service and  
DS3 Service (Cont'd)

## (B) Channel Configuration (Cont'd)

## (2) Interoffice Transport

Interoffice Transport facilities comprised of Channel Mileage Terminations (CMT), described in Section 7.1.2(B) preceding, and Channel Mileage (CM), described in Section 7.1.2(C) preceding, provide the transmission paths between the Serving Wire Centers associated with two customer designated premises, between a Serving Wire Center associated with a customer premises and a Telephone Company Hub location or an NRS System Location or between two Telephone Company NRS system locations for NRS associated services. When NRS system locations are within the same wire center only the appropriate port charges will apply. Three interoffice transport types are available; Base Rate transport which supports bit rates from 2.4 Kbps through 64.0 Kbps, DS1 transport at bit rates of 1.544 Mbps, 128.0 Kbps, 256.0 Kbps, 384.0 Kbps, 512.0 Kbps and 768.0 Kbps and DS3 transport at the 44.736 Mbps bit rate.

Base Rate 2.4 Kbps through 64.0 Kbps LDCs are interconnected to Rate transport\* while DS1 LDCs are interconnected to DS1 transport (1.544 Mbps, 128.0 Kbps, 256.0 Kbps, 384.0 Kbps, 512.0 Kbps or 768.0 Kbps) and DS3 SCs to DS3 transport. Additionally, higher speed LDCs may be cross-connected to lower speed transport using optional multiplexing features delineated in Section 7.2.9(B)(4)(f) following.

## (3) Optional Features and Functions

The following table shows the technical specifications packages with which the optional features and functions are available. Not all of the optional features and functions described in this section apply to all of the services; e.g., the Automatic Loop Transfer<sup>(1)</sup> feature is applicable to DS1 channels operating at a terminating speed of 1.544 Mbps only. The following matrix shows the Optional Features and Functions by bit rate that a customer may select. The specific Optional Features and Functions are described in Section 7.2.9(B)(4), a through i, following. Except as specified in 7.2.9(B)(4)(f)(2) following, when DS1 LDCs are used in conjunction with DS1 128.0, 256.0, 384.0, 512.0 or 768.0 Kbps transport, no Optional Features and Functions are available.

(C)

\*Base Rate Interoffice Transport provides usable bandwidths to match the customer's LDC Bit Rate for Ameritech Base Rate services operating at terminating speeds up to and including 64.0 Kbps.

(1) Automatic Loop Transfer will no longer be available to new DS1 Service effective 10/05/2006. There will be no change in service to existing customers.

(N)

(N)

(This page filed under Transmittal No. 1580)

ACCESS SERVICE

7. Special Access Service (cont'd)

7.2 Service Descriptions (cont'd)

7.2.9 Base Rate Services, DS1 Service and DS3 Service (cont'd)

(B) Channel Configuration (cont'd)

(3) Optional Features and Functions (cont'd)

Base Rate Services, DS1 Service and  
 DS3 Service

(Application of Optional Features and Functions by Terminating Speeds)

	2.4 Kbps	4.8 Kbps	9.6 Kbps	56.0 Kbps	19.2 Kbps	64.0 Kbps	64.0 Kbps	1.544 Mbps	44.73 6 Mbps
	PACKAGES								
Parameter	DA-1	DA-2	DA-3	DA-4	DA-5	DA-6	HC-0	HC-1	HC-3
Central Office, Bridging Capability	X	X	X	X					
Secondary Channel	X	X	X	X					
Clear Channel Capabiity								X	
Automatic Protection Switching <sup>/3/</sup>								X	
Transfer Arrangement	X	X	X	X				X	
Interconnection - Central Office Multiplexing									
- DS3 to DS1									X
- DS1 to Base Rate/128.0, 256.0, 384.0, 512.0, 768.0 Kbps Transport								X	
Fiber Hub Cross-Connection <sup>/1/</sup>								X	
NRS Terminations <sup>/2/</sup>	X	X	X	X	X	X	X	X	X
Multiplexer Cross-Connection								X	X

(C)

/1/ Description of this optional feature and function is delineated in Section 7.4 following.

/2/Description of the Network Reconfiguration Service (NRS) is delineated in Section 7.2.9(B)(5) following.

/3/ Automatic Protection Switching will no longer be available to new DS1 Service effective 10/05/2006. There will be no change in service to existing customers.

(N)  
 (N)

(This page filed under Transmittal No. 1580)

ACCESS SERVICE

7. Special Access Service (Cont'd)

7.2 Service Descriptions (Cont'd)

7.2.9 Base Rate Services, DS1 Service and DS3 Service (Cont'd)

(T)  
(T)

(B) Channel Configuration (Cont'd)

(4) Optional Features and Functions

Application of these optional features and functions are delineated in Section 7.2.9(B)(3) preceding.

(a) Central Office Bridging Capability

This option is applicable to Base Rate channels operating at terminating speeds of 2.4, 4.8, 9.6 and 56.0 Kbps only. Central Office Bridging Capability allows for communications between three or more circuit termination locations.

(T)

(b) Secondary Channels

The Secondary Channel feature is provided in conjunction with Base Rate channels operating at terminating speeds of 2.4, 4.8, 9.6 and 56.0 Kbps (considered the primary channel). A secondary channel provides a companion digital channel over the same facility used to provide the primary channel, but at a lower bit rate. The secondary and primary channels operate independently of each other, over the same facilities, and must be co-terminated in common customer equipment as described in Technical References Publications, cited in Section 7.2 preceding. Secondary channel is offered as a two-point or multipoint service in Telephone Company locations where facilities are available. The addition of the secondary channel option to an existing Base Rate Services will be treated as a disconnect of the existing service and an installation of a new service including the secondary channel.

(T)

(T)

\* Central Office Bridging Capability and Secondary Channels are not available with 56.0 Kbps DAL.

(This page filed under Transmittal No. 1357)

Issued: October 6, 2003

Effective: October 21, 2003

ACCESS SERVICE

7. Special Access Service (Cont'd)

7.2 Service Descriptions (Cont'd)

7.2.9 Base Rate Services, DS1 Service and DS3 Service (Cont'd)

(T)  
(T)

(B) Channel Configurations (Cont'd)

(4) Optional Features and Functions (Cont'd)

(b) Secondary Channels (Cont'd)

The technical specifications for this feature are described in Technical Publications, cited in Section 7.2 preceding. The bit rates of the secondary channel are shown in the following table:

Base Rate Service Transmission Speed	Secondary Channel Transmission Speed
2.4 Kbps	133 Bps
4.8 Kbps	266 Bps
9.6 Kbps	533 Bps
56.0Kbps	2.66 Kbps

(T)

(c) Clear Channel Capability

An arrangement which allows a customer to transport 1.536 Mbps of information on a 1.544 Mbps line rate with no constraint on the quantity or sequence of one and zero bits.

Clear Channel Capability is provided for both point to point and channelized DS1 service and is a required option for DS1 service when 64 Kbps channels are multiplexed onto the DS1 service.

(T)  
(T)

Where appropriate facilities are not immediately available, negotiated order intervals may apply. The technical specifications for this feature are as described in Technical Reference Publications, cited in Section 7.2 preceding.

(This page filed under Transmittal No. 1357)



## ACCESS SERVICE

## 7. Special Access Service (cont'd)

## 7.2 Service Descriptions (cont'd)

## 7.2.9 Base Rate Services, DS1 Service and DS3 Service (cont'd)

## (B) Channel Configuration (cont'd)

## (3) Optional Features and Functions (cont'd)

(d) Automatic Protection Switching<sup>(1)</sup>

(C)

Automatic Protection Switching provides protection on a 1 x N basis, up to 1 x 4, against failure of the facilities between a customer designated premises and the wire center serving that premises. Protection is furnished through the use of a switching arrangement that automatically switches to a spare channel when the working channel fails. The spare channel is not included as a part of the option. DS1 channels associated with Automatic Protection Switching arrangements installed after December 18, 1999, must be formatted with extended super frame.

Automatic Protection Switching arrangements installed prior to December 18, 1999, require compatible equipment at both the serving wire center and the customer premises and are not available for channels with Clear Channel Capability. The customer is responsible for providing the equipment at its premises.

Automatic Protection Switching is offered under the terms of the Optional Payment Plan (OPP), as described in 7.4.10 following. Except for Automatic Protection Switching arrangements installed prior to December 18, 1999, Monthly Extension rates will apply only after a customer has completed an OPP term.

## (e) Transfer Arrangement

An arrangement that affords the customer an additional measure of flexibility in the use of their access channel(s). The arrangement can be utilized to transfer a leg of a Special Access Service to either the spare or working channel that terminates in either the same or a different customer premises. A key activated or dial-up control service is required to operate the transfer arrangement. A spare channel, if required, is not included as part of the option.

- (1) Automatic Protection Switching will no longer be available to new DS1 Service effective 10/05/2006. (N)  
There will be no change in service to existing customers. (N)

(This page filed under Transmittal No. 1580)

Issued: September 20, 2006

Effective: October 5, 2006

## ACCESS SERVICE

## 7. Special Access Service (Cont'd)

## 7.2 Service Descriptions (Cont'd)

7.2.9 Base Rate Services, DS1 Service and  
DS3 Service (Cont'd)

## (B) Channel Configuration (Cont'd)

## (4) Optional Features and Functions (Cont'd)

## (f) Interconnection - Central Office Multiplexing

## (1) DS3 to DS1 Multiplexing

An arrangement that converts an DS3 channel operating at a terminating speed of 44.736 Mbps to 28 DS1 channels operating at a terminating speed of 1.544 Mbps using digital time division multiplexing (available with 128.0, 256.0, 384.0, 512.0, and 768.0 Kbps and 1.544 Mbps transport). (N)

(2) DS1 to Voice/Base Rate/  
128.0, 256.0, 384.0, 512.0, 768.0 Kbps Transport Multiplexing (N)

An arrangement that converts an DS1 (1.544 Mbps only) channel to 24 channels for use with Direct Analog Service, Base Rate Service, and 128.0, 256.0, or 384.0 Kbps Transport Services (multiple channels are required to provide individual 128.0, 256.0, 384.0, 512.0, or 768.0 Kbps channels). A channel of this DS1 to the Hub can also be used for Program Audio, Dedicated Network Access Line, or Dedicated Access Line Services. Multiple channels may be required to provide individual Program Audio channels. (N)

(This page filed under Transmittal No. 1390)

ACCESS SERVICE

7. Special Access Service (Cont'd)

7.2 Service Descriptions (Cont'd)

7.2.9 Base Rate Services, DS1 Service and  
DS3 Service (Cont'd)

(B) Channel Configuration (Cont'd)

(4) Optional Features and Functions (Cont'd)

(g) Fiber Hub Cross-connection

An arrangement to cross-connect DS1 Service, (excluding DS1 - 128.0, 256.0, 384.0, 512.0, and 768.0 Kbps Transport) DS3 Service, or Base Rate Service terminations to another service of the same speed at a designated Fiber Hub location. The customer must purchase service to the Fiber Hub from his designated premises.

(N)

(This page filed under Transmittal No. 1390)

## ACCESS SERVICE

## 7. Special Access Service (Cont'd)

## 7.2 Service Description (Cont'd)

7.2.9 Base Rate Services, DS1 Service and  
DS3 Service (Cont'd)

## (B) Channel Configuration (Cont'd)

## (4) Optional Features and Functions (Cont'd)

## (h) NRS Termination

An arrangement to connect an DS3, DS1 or Base Rate Local Distribution Channel or interoffice transport facility to an Network Reconfiguration System (NRS) location to allow the connected DS3, DS1, Base Rate, DS3 or DS1 service to be reconfigured with NRS. All DS3, DS1 and Base Rate Services that are to be included in a customer's ANRS database must be terminated on an NRS system location. Only services that are included in a customer's NRS database may utilize the NRS Termination feature.

(i) Shared Network Arrangement<sup>(1)</sup>

(C)

(1) A Shared Network Arrangement is a service offering that enables a customer (the "Service User") to connect subtending services to the multiplexed DS3 or DS1 service of another customer (the "Host Subscriber"), with the Telephone Company maintaining separate records and billing for each. Each customer will be billed for those rate elements associated with their own portion of the service configuration. Under no circumstances will the rates or charges for individual rate elements be split. This offering is limited to service configurations where a Service User obtains either subtending Direct Analog or Base Rate circuits from a Host's multiplexed DS1 service, or DS1 circuits from a Host's multiplexed DS3 service.

(2) Under the Shared Network Arrangement, the Telephone Company may share record information with the Host Subscriber pertaining to the services of other users of the shared network. Such disclosure will be under the sole

(1) Effective 05/26/06, this regulation is limited to existing customers. For new customers purchasing Shared Network Arrangement, terms and conditions set forth in Section 5.2 (A), will apply.

(N)  
(N)

(This page filed under Transmittal No.1551)

Issued: May 11, 2006

Effective: May 26, 2006

Four AT&amp;T Plaza, Dallas, Texas 75202

ACCESS SERVICE

7. Special Access Service (Cont'd)

7.2 Service Description (Cont'd)

7.2.9 Base Rate Services, DS1 Service and DS3 Service (Cont'd)

(B) Channel Configuration (Cont'd)

(4) Optional Features and Functions (Cont'd)

(i) Shared Network Arrangement<sup>(1)</sup> (Cont'd)

(C)

(2) (Cont'd)

discretion of the Telephone Company as is necessary to perform billing reconciliations and/or other functions required in connection with maintaining account records.

(3) Section 7.4.11 contains rate regulations specific to Shared Network Arrangements.

(j) Multiplexer Cross-Connection (MCC)

An arrangement that allows one channel of a multiplexed DS1 or DS3 Service to be connected to one channel of the same bit rate and like signaling of another multiplexed DS1 or DS3 Service.

The lesser speed channel may be a Direct Analog Service between two DS1 multiplexers, or an Base Rate Service provided at 64 Kbps of bandwidth between two DS1 multiplexers, or an DS1 Service between two DS3 multiplexers.

MCC will be provided at all Telephone Company locations where multiplexing is performed or between two Telephone Company locations where multiplexing is performed.

(1) Effective 05/26/06, this regulation is limited to existing customers. For new customers purchasing Shared Network Arrangement, terms and conditions set forth in Section 5.2 (A), will apply.

(N)  
(N)

(This page filed under Transmittal No. 1551)

Issued: May 11, 2006

Effective: May 26, 2006

## ACCESS SERVICE

## 7. Special Access Service (Cont'd)

## 7.2 Service Description (Cont'd)

7.2.9 Base Rate Services, DS1 Service and DS3 Service (Cont'd) (T)

(B)Channel Configuration (Cont'd)

(4) Optional Features and Functions (Cont'd)

(k) Shared Facility Credit/Shared Facility Channel Service

Shared Facility Credit (SFC) is an option available to customers of DS3 Special Access Service who allow the Telephone Company use of their Ameritech-provided DS3 service for the provision of Shared Facility Channel Service, as described following, to other Telephone Company customers. With SFC, the Telephone Company will provide a credit to the customer of the DS3 Special Access Service when the Telephone Company utilizes a portion of the DS3 Local Distribution Channel (LDC), associated DS3 to DS1 multiplexer, and, if appropriate, DS3 Channel Mileage Terminations (CMT) and Channel Mileage (CM) to provide Shared Facility Channel Service to another Telephone Company customer. (T)

Shared Facility Channel Service provides a DS1 communications channel over SFC provisioned DS3 service between the DS3 customer's premises and the Telephone Company wire center location of the DS3 multiplexer. Shared Facility Channel Service must be connected to DS1 service at the DS3 multiplexer wire center. (T)

Shared Facility Channel Service Charges as set forth in Section 7.5.9(B)(5)(j) will apply to the customer of the Shared Facility Channel Service for the Shared Facility Local Distribution Channel and, if appropriate, Shared Facility Channel Mileage Terminations and Channel Mileage provided over the DS3 Special Access Service subject to the SFC. (T)

(This page filed under Transmittal No. 1357)

Issued: October 6, 2003

Effective: October 21, 2003

ACCESS SERVICE

7. Special Access Service (Cont'd)

7.2 Service Description (Cont'd)

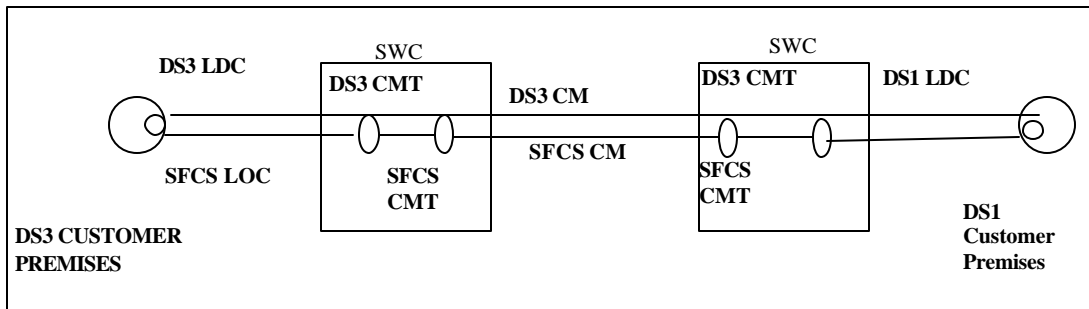
7.2.9 Base Rate Services, DS1 Service and DS3 Service (Cont'd)

(B) Channel Configuration (Cont'd)

(4) Optional Features and Functions (Cont'd)

(k) Shared Facility Credit/Shared Facility Channel Service (Cont'd)

The following diagram depicts an DS1 Service connected to a Shared Facility Channel Service (SFCS) provisioned over a Shared Facility Credit arranged DS3 Service.



- SWC - Serving Wire Center
- LDC - Local Distribution Channel
- CMT - Channel Mileage Termination
- CM - Channel Mileage
- MUX - DS3 to DS1 Multiplexer

Section 7.4.19 contains rate regulations specific to Shared Facility Credit/Shared Facility Channel Service arrangements.

(5) Network Reconfiguration Service (ANRS)

(A) General

Network Reconfiguration Service (ANRS) gives customers the ability to reconfigure networks, via electronic cross-connections, comprised of DS3, DS1 and Base Rate channels connected at ANRS system locations. Reconfiguration may be accomplished by placing an electronic request via a customer provided terminal or by calling a Telephone Company attendant.

(This page filed under Transmittal No. 1357)

ACCESS SERVICE

7. Special Access Service (Cont'd)

7.2 Service Description (Cont'd)

7.2.9 Base Rate Services, DS1 Service and DS3 Service (Cont'd) (T)

(B) Channel Configuration (Cont'd)

(5) Network Reconfiguration Service (NRS) (Cont'd) (T)

(B) Service Description

Network Reconfiguration Service gives customers the ability to reconfigure their networks via cross-connections of their DS3, DS1 and Base Rate Service channels which are identified in a customer specific network database. The NRS system location provides an interface at the DS3 (44.736 Mbps), DS1 (1.544 Mbps) and Base Rate (2.4 - 64 Kbps) levels. The customer may specify cross-connections at the DS3, channelized DS3, DS1, channelized DS1, or Base Rate level. (T)

Customer access to NRS may be made directly by the customer utilizing customer provided terminal equipment on the customer's premises in conjunction with a Dedicated Network Access Link or dial-in line. Access is also available through a Telephone Company attendant reached by a dial access telephone line. (T)

NRS will give the customer the ability to make changes in the individual channel segments of their network. Customers may reconfigure DS3, DS1 or Base Rate or DS1 service. Customers may also reconfigure Direct Analog channels that are channels of a reconfigurable channelized DS1 service. To utilize this capability, customers must order appropriate DS1 multiplexing in addition to the ANRS Terminations at the DS1 level and the NRS service. (T)

NRS will be available on a continuous basis except for the performance of scheduled preventative and routine maintenance or scheduled software updates. The customer will be notified at least 24 hours in advance of any scheduled service interruptions. (T)

NRS system locations are found in the National Exchange Carrier Association, Inc., Tariff F.C.C. No. 4. (T)

(This page filed under Transmittal No. 1357)

Issued: October 6, 2003

Effective: October 21, 2003



ACCESS SERVICE

7. Special Access Service (Cont'd)

7.2 Service Description (Cont'd)

7.2.9 Base Rate Services, DS1 Service and DS3 Service (Cont'd) (T)

(B) Channel Configuration (Cont'd)

(5) Network Reconfiguration Service (NRS) (Cont'd) (T)

(C) Technical Specifications

Services that are cross-connected by the Network Reconfiguration Service (T) will not operate properly unless they have identical technical characteristics to ensure compatibility and proper operation. NRS (T) customers are responsible for the compatibility of the services they choose to cross-connect.

If the Telephone Company determines that the technical characteristics of services selected for cross-connection by the customer are not compatible, they will advise the customer and give them the opportunity to change the order.

The Network Reconfiguration Service specifications are delineated in Technical Reference AM-TR-OAT-000064. (T)

(This page filed under Transmittal No. 1357 )

Issued: October 6, 2003

Effective: October 21, 2003

ACCESS SERVICE

7. Special Access Service (Cont'd)

7.2 Service Descriptions (Cont'd)

7.2.9 Base Rate Services, DS1 Service and DS3 Service (Cont'd)

(T)  
(T)

(B) Channel Configuration (Cont'd)

(6) Technical Specifications Packages

The technical specifications for Base Rate Services, DS1 Service and DS3 Service are delineated in Technical References. Base Rate Services (DA1-5) are described in TR-NPL-000341, and Base Rate (DA6) as described in AM-TR-OAT-000070. DS1 (HC1) and DS3 (HC3) are described in TR-INS-000342 and AM-TR-TMO-000101. DS1 (HX) is described in AM-TR-TMO-000106.

(T)  
|  
(T)

The Telephone Company will provide an Base Rate channel to provide connectivity at terminating speeds from 2.4 Kbps through 64.0 Kbps with error-free second performance typified by a monthly average objective of 99.875 percent while the channel is in service. Such performance must be measured through a CSU equivalent which is designed, manufactured, and maintained to conform with the specifications contained in Technical Reference PUB AM-TR-OAT-000070. The overall performance of an individual circuit will depend upon the performance characteristics of data communications equipment that is provided and maintained by the customer as well as network conditions. Error-free second performance is provided to indicate typical circuit performance objectives, not as an assurance of performance on an individual circuit.

(T)

For an DS1 channel operating at a terminating bit rate of 1.544 Mbps (HC1), the Telephone Company will provide a channel capable of an error-free second performance of 99.75 percent over a continuous 24 hour period as measured at the 1.544 Mbps rate through a NCTE equivalent which is designed, manufactured and maintained to conform with the specifications in Technical Reference Publication PUB 62411. Additional transmission performance specifications are described in AM-TR-TMO-000101; all transmission performance specifications listed in this document replace any specifications contained in other DS1 or DS3 Technical References.

(T)

(T)

(This page filed under Transmittal No. 1357 )

Issued: October 6, 2003

Effective: October 21, 2003

ACCESS SERVICE

7. Special Access Service (Cont'd)

7.2 Service Descriptions (Cont'd)

7.2.9 Base Rate Services, DS1 Service and  
DS3 Service (Cont'd)

(T)  
(T)

(B) Channel Configuration (Cont'd)

(7) Network Channel Interfaces

The network channel interfaces define the bit rates that are available for Base Rate, DS1 and DS3 channels operating at terminating speeds 2.4 Kbps, 4.8 Kbps, 9.6 Kbps, 19.2 Kbps, 56.0 Kbps, 64.0 Kbps, 1.544 Mbps and 44.736 Mbps. Network channel interfaces and codes are described in 7.3 following.

(T)  
(T)

(This page filed under Transmittal No. 1357)

Issued: October 6, 2003

Effective: October 21, 2003

One SBC Plaza, Dallas, Texas 75202

ACCESS SERVICE

7. Special Access Service (Cont'd)

7.2 Service Descriptions (Cont'd)

7.2.10<sup>(1)</sup>

(D)

<sup>(1)</sup> Material in this Section has been de-tariffed as required by the Commission upon use of the forbearance relief pursuant to FCC Memorandum Opinion and Order No. 07-180, released October 12, 2007. Terms and Conditions associated with de-tariffed services are available at [www.att.com/guidebook](http://www.att.com/guidebook).

(This page filed under Transmittal No. 1666)

ACCESS SERVICE

7. Special Access Service (Cont'd)

7.2 Service Descriptions (Cont'd)

7.2.10<sup>(1)</sup>

(D)

<sup>(1)</sup> See footnote (1) on page 273.

(This page filed under Transmittal No. 1666)

ACCESS SERVICE

7. Special Access Service (Cont'd)

7.2 Service Descriptions (Cont'd)

7.2.10<sup>(1)</sup>

(D)

<sup>(1)</sup> See footnote (1) on page 273.

(This page filed under Transmittal No. 1666)

ACCESS SERVICE

7. Special Access Service (Cont'd)

7.2 Service Descriptions (Cont'd)

7.2.10<sup>(1)</sup>

(D)

<sup>(1)</sup> See footnote (1) on page 273.

(This page filed under Transmittal No. 1666)

ACCESS SERVICE

7. Special Access Service (Cont'd)

7.2 Service Descriptions (Cont'd)

7.2.10 <sup>(1)</sup>

(D)

<sup>(1)</sup> See footnote (1) on page 273.

(This page filed under Transmittal No. 1666)



ACCESS SERVICE

7. Special Access Service (Cont'd)

7.2 Service Descriptions (Cont'd)

7.2.10<sup>(1)</sup>

(D)

<sup>(1)</sup> See footnote (1) on page 273.

(This page filed under Transmittal No. 1666)

ACCESS SERVICE

7. Special Access Service (Cont'd)

7.2 Service Descriptions (Cont'd)

7.2.10 <sup>(1)</sup>

(D)

<sup>(1)</sup> See footnote (1) on page 273.

(This page filed under Transmittal No. 1666)

ACCESS SERVICE

7. Special Access Service (Cont'd)

7.2 Service Descriptions (Cont'd)

7.2.10 <sup>(1)</sup>

(D)

<sup>(1)</sup> See footnote (1) on page 273.

(This page filed under Transmittal No. 1666)

ACCESS SERVICE

7. Special Access Service (Cont'd)

7.2 Service Descriptions (Cont'd)

7.2.10 <sup>(1)</sup>

(D)

<sup>(1)</sup> See footnote (1) on page 273.

(This page filed under Transmittal No. 1666)

ACCESS SERVICE

7. Special Access Service (Cont'd)

7.2 Service Descriptions (Cont'd)

7.2.10<sup>(1)</sup>

(D)

<sup>(1)</sup> See footnote (1) on page 273.

(This page filed under Transmittal No. 1666)

ACCESS SERVICE

7. Special Access Service (Cont'd)

7.2 Service Descriptions (Cont'd)

7.2.10<sup>(1)</sup>

(D)

<sup>(1)</sup> See footnote (1) on page 273.

(This page filed under Transmittal No. 1666)

ACCESS SERVICE

7. Special Access Service (Cont'd)

7.2 Service Descriptions (Cont'd)

7.2.10 <sup>(1)</sup>

(D)

<sup>(1)</sup> See footnote (1) on page 273.

(This page filed under Transmittal No. 1666)

ACCESS SERVICE

7. Special Access Service (Cont'd)

7.2 Service Descriptions (Cont'd)

7.2.10 <sup>(1)</sup>

(D)

<sup>(1)</sup> See footnote (1) on page 273.

(This page filed under Transmittal No. 1666)



ACCESS SERVICE

7. Special Access Service (Cont'd)

7.2 Service Descriptions (Cont'd)

7.2.10 <sup>(1)</sup>

(D)

<sup>(1)</sup> See footnote (1) on page 273.

(This page filed under Transmittal No. 1666)

ACCESS SERVICE

7. Special Access Service (Cont'd)

7.2 Service Descriptions (Cont'd)

7.2.10<sup>(1)</sup>

(D)

<sup>(1)</sup> See footnote (1) on page 273.

(This page filed under Transmittal No. 1666)

ACCESS SERVICE

7. Special Access Service (Cont'd)

7.2 Service Descriptions (Cont'd)

7.2.10<sup>(1)</sup>

(D)

<sup>(1)</sup> See footnote (1) on page 273.

(This page filed under Transmittal No. 1666)

ACCESS SERVICE

7. Special Access Service (Cont'd)

7.2 Service Descriptions (Cont'd)

7.2.10 <sup>(1)</sup>

(D)

<sup>(1)</sup> See footnote (1) on page 273.

(This page filed under Transmittal No. 1666)

ACCESS SERVICE

7. Special Access Service (Cont'd)

7.2 Service Descriptions (Cont'd)

7.2.10<sup>(1)</sup>

(D)

<sup>(1)</sup> See footnote (1) on page 273.

(This page filed under Transmittal No. 1666)

ACCESS SERVICE

7. Special Access Service (Cont'd)

7.2 Service Descriptions (Cont'd)

7.2.10 <sup>(1)</sup>

(D)

<sup>(1)</sup> See footnote (1) on page 273.

(This page filed under Transmittal No. 1666)

ACCESS SERVICE

7. Special Access Service (Cont'd)

7.2 Service Descriptions (Cont'd)

7.2.10<sup>(1)</sup>

(D)

<sup>(1)</sup> See footnote (1) on page 273.

(This page filed under Transmittal No. 1666)

ACCESS SERVICE

7. Special Access Service (Cont'd)

7.2 Service Descriptions (Cont'd)

7.2.10<sup>(1)</sup>

(D)

<sup>(1)</sup> See footnote (1) on page 273.

(This page filed under Transmittal No. 1666)



ACCESS SERVICE

7. Special Access Service (Cont'd)

7.2 Service Descriptions (Cont'd)

7.2.10 <sup>(1)</sup>

(D)

<sup>(1)</sup> See footnote (1) on page 273.

(This page filed under Transmittal No. 1666)

ACCESS SERVICE

7. Special Access Service (Cont'd)

7.2 Service Descriptions (Cont'd)

7.2.10<sup>(1)</sup>

(D)

<sup>(1)</sup> See footnote (1) on page 273.

(This page filed under Transmittal No. 1666)

ACCESS SERVICE

7. Special Access Service (Cont'd)

7.2 Service Descriptions (Cont'd)

7.2.10<sup>(1)</sup>

(D)

<sup>(1)</sup> See footnote (1) on page 273.

(This page filed under Transmittal No. 1666)

ACCESS SERVICE

7. Special Access Service (Cont'd)

7.2 Service Descriptions (Cont'd)

7.2.10<sup>(1)</sup>

(D)

<sup>(1)</sup> See footnote (1) on page 273.

(This page filed under Transmittal No. 1666)

ACCESS SERVICE

7. Special Access Service (Cont'd)

7.2 Service Descriptions (Cont'd)

7.2.10 <sup>(1)</sup>

(D)

<sup>(1)</sup> See footnote (1) on page 273.

(This page filed under Transmittal No. 1666)

ACCESS SERVICE

7. Special Access Service (Cont'd)

7.2 Service Descriptions (Cont'd)

7.2.10 <sup>(1)</sup>

(D)

<sup>(1)</sup> See footnote (1) on page 273.

(This page filed under Transmittal No. 1666)

ACCESS SERVICE

7. Special Access Service (Cont'd)

7.2 Service Descriptions (Cont'd)

7.2.10 <sup>(1)</sup>

(D)

<sup>(1)</sup> See footnote (1) on page 273.

(This page filed under Transmittal No. 1666)

ACCESS SERVICE

7. Special Access Service (Cont'd)

7.2 Service Descriptions (Cont'd)

7.2.10 <sup>(1)</sup>

(D)

<sup>(1)</sup> See footnote (1) on page 273.

(This page filed under Transmittal No. 1666)



ACCESS SERVICE

7. Special Access Service (Cont'd)

7.2 Service Descriptions (Cont'd)

7.2.11 <sup>(1)</sup>

(D)

<sup>(1)</sup> Material in this Section has been de-tariffed as required by the Commission upon use of the forbearance relief pursuant to FCC Memorandum Opinion and Order No. 07-180, released October 12, 2007. Terms and Conditions associated with de-tariffed services are available at [www.att.com/guidebook](http://www.att.com/guidebook).

(This page filed under Transmittal No. 1666)

ACCESS SERVICE

7. Special Access Service (Cont'd)

7.2 Service Descriptions (Cont'd)

7.2.11 <sup>(1)</sup>

(D)

<sup>(1)</sup> See footnote (1) on page 273.6.

(This page filed under Transmittal No. 1666)

ACCESS SERVICE

7. Special Access Service (Cont'd)

7.2 Service Descriptions (Cont'd)

7.2.11 <sup>(1)</sup>

(D)

<sup>(1)</sup> See footnote (1) on page 273.6.

(This page filed under Transmittal No. 1666)

ACCESS SERVICE

7. Special Access Service (Cont'd)

7.2 Service Descriptions (Cont'd)

7.2.11 <sup>(1)</sup>

(D)

<sup>(1)</sup> See footnote (1) on page 273.6.

(This page filed under Transmittal No. 1666)

ACCESS SERVICE

7. Special Access Service (Cont'd)

7.2 Service Descriptions (Cont'd)

7.2.11 <sup>(1)</sup>

(D)

<sup>(1)</sup> See footnote (1) on page 273.6.

(This page filed under Transmittal No. 1666)

ACCESS SERVICE

7. Special Access Service (Cont'd)

7.2 Service Descriptions (Cont'd)

7.2.11 <sup>(1)</sup>

(D)

<sup>(1)</sup> See footnote (1) on page 273.6.

(This page filed under Transmittal No. 1666)

ACCESS SERVICE

7. Special Access Service (Cont'd)

7.2 Service Descriptions (Cont'd)

7.2.11 <sup>(1)</sup>

(D)

<sup>(1)</sup> See footnote (1) on page 273.6.

(This page filed under Transmittal No. 1666)

ACCESS SERVICE

7. Special Access Service (Cont'd)

7.2 Service Descriptions (Cont'd)

7.2.11 <sup>(1)</sup>

(D)

<sup>(1)</sup> See footnote (1) on page 273.6.

(This page filed under Transmittal No. 1666)



ACCESS SERVICE

7. Special Access Service (Cont'd)

7.2 Service Descriptions (Cont'd)

7.2.11 <sup>(1)</sup>

(D)

<sup>(1)</sup> See footnote (1) on page 273.6.

(This page filed under Transmittal No. 1666)

ACCESS SERVICE

7. Special Access Service (Cont'd)

7.2 Service Descriptions (Cont'd)

7.2.11 <sup>(1)</sup>

(D)

<sup>(1)</sup> See footnote (1) on page 273.6.

(This page filed under Transmittal No. 1666)

ACCESS SERVICE

7. Special Access Service (Cont'd)

7.2 Service Descriptions (Cont'd)

7.2.11 <sup>(1)</sup>

(D)

<sup>(1)</sup> See footnote (1) on page 273.6.

(This page filed under Transmittal No. 1666)

ACCESS SERVICE

7. Special Access Service (Cont'd)

7.2 Service Descriptions (Cont'd)

7.2.11 <sup>(1)</sup>

(D)

<sup>(1)</sup> See footnote (1) on page 273.6.

(This page filed under Transmittal No. 1666)

ACCESS SERVICE

7. Special Access Service (Cont'd)

7.2 Service Descriptions (Cont'd)

7.2.11 <sup>(1)</sup>

(D)

<sup>(1)</sup> See footnote (1) on page 273.6.

(This page filed under Transmittal No. 1666)

ACCESS SERVICE

7. Special Access Service (Cont'd)

7.2 Service Descriptions (Cont'd)

7.2.11 <sup>(1)</sup>

(D)

<sup>(1)</sup> See footnote (1) on page 273.6.

(This page filed under Transmittal No. 1666)

ACCESS SERVICE

7. Special Access Service (Cont'd)

7.2 Service Descriptions (Cont'd)

7.2.11 <sup>(1)</sup>

(D)

<sup>(1)</sup> See footnote (1) on page 273.6.

(This page filed under Transmittal No. 1666)

ACCESS SERVICE

7. Special Access Service (Cont'd)

7.2 Service Descriptions (Cont'd)

7.2.11 <sup>(1)</sup>

(D)

<sup>(1)</sup> See footnote (1) on page 273.6.

(This page filed under Transmittal No. 1666)



ACCESS SERVICE

7. Special Access Service (Cont'd)

7.2 Service Descriptions (Cont'd)

7.2.11<sup>(1)</sup>

(D)

<sup>(1)</sup> See footnote (1) on page 273.6.

(This page filed under Transmittal No. 1666)

ACCESS SERVICE

7. Special Access Service (Cont'd)

7.2 Service Descriptions (Cont'd)

7.2.11 <sup>(1)</sup>

(D)

<sup>(1)</sup> See footnote (1) on page 273.6.

(This page filed under Transmittal No. 1666)

ACCESS SERVICE

7. Special Access Service (Cont'd)

7.2 Service Descriptions (Cont'd)

7.2.11 <sup>(1)</sup>

(D)

<sup>(1)</sup> See footnote (1) on page 273.6.

(This page filed under Transmittal No. 1666)

ACCESS SERVICE

7. Special Access Service (Cont'd)

7.2 Service Descriptions (Cont'd)

7.2.11 <sup>(1)</sup>

(D)

<sup>(1)</sup> See footnote (1) on page 273.6.

(This page filed under Transmittal No. 1666)

ACCESS SERVICE

7. Special Access Service (Cont'd)

7.2 Service Descriptions (Cont'd)

7.2.11 <sup>(1)</sup>

(D)

<sup>(1)</sup> See footnote (1) on page 273.6.

(This page filed under Transmittal No. 1666)

ACCESS SERVICE

7. Special Access Service (Cont'd)

7.2 Service Descriptions (Cont'd)

7.2.11 <sup>(1)</sup>

(D)

<sup>(1)</sup> See footnote (1) on page 273.6.

(This page filed under Transmittal No. 1666)

ACCESS SERVICE

7. Special Access Service (Cont'd)

7.2 Service Descriptions (Cont'd)

7.2.11 <sup>(1)</sup>

(D)

<sup>(1)</sup> See footnote (1) on page 273.6.

(This page filed under Transmittal No. 1666)

ACCESS SERVICE

7. Special Access Service (Cont'd)

7.2 Service Descriptions (Cont'd)

7.2.11 <sup>(1)</sup>

(D)

<sup>(1)</sup> See footnote (1) on page 273.6.

(This page filed under Transmittal No. 1666)



ACCESS SERVICE

7. Special Access Service (Cont'd)

7.2 Service Descriptions (Cont'd)

7.2.11 <sup>(1)</sup>

(D)

<sup>(1)</sup> See footnote (1) on page 273.6.

(This page filed under Transmittal No. 1666)

ACCESS SERVICE

7. Special Access Service (Cont'd)

7.2 Service Descriptions (Cont'd)

7.2.11 <sup>(1)</sup>

(D)

<sup>(1)</sup> See footnote (1) on page 273.6.

(This page filed under Transmittal No. 1666)

ACCESS SERVICE

7. Special Access Service (Cont'd)

7.2 Service Descriptions (Cont'd)

7.2.11 <sup>(1)</sup>

(D)

<sup>(1)</sup> See footnote (1) on page 273.6.

(This page filed under Transmittal No. 1666)

ACCESS SERVICE

7. Special Access Service (Cont'd)

7.2 Service Descriptions (Cont'd)

7.2.11 <sup>(1)</sup>

(D)

<sup>(1)</sup> See footnote (1) on page 273.6.

(This page filed under Transmittal No. 1666)

ACCESS SERVICE

7. Special Access Service (Cont'd)

7.2 Service Descriptions (Cont'd)

7.2.11 <sup>(1)</sup>

(D)

<sup>(1)</sup> See footnote (1) on page 273.6.

(This page filed under Transmittal No. 1666)

ACCESS SERVICE

7. Special Access Service (Cont'd)

7.2 Service Descriptions (Cont'd)

7.2.11 <sup>(1)</sup>

(D)

<sup>(1)</sup> See footnote (1) on page 273.6.

(This page filed under Transmittal No. 1666)

ACCESS SERVICE

7. Special Access Service (Cont'd)

7.2 Service Description (Cont'd)

7.2.11 <sup>(1)</sup>

(D)

<sup>(1)</sup> See footnote (1) on page 273.6.

(This page filed under Transmittal No. 1666)

**ACCESS SERVICE****7. Special Access Service (Cont'd)****7.2 Service Descriptions (Cont'd)****7.2.12 SONET Xpress Service****A. Basic Service Description**

SONET Xpress service is a shared ring service which provides high performance and reliability parameters with the level of survivability designed to limit a single event from interrupting service. It provides route, central office equipment, and signal payload protection for point-to-point DS1 and DS3 channels provisioned on the shared ring. No additional optional features are required for this level of protection. It provides flat rate transport across the network of DS1, DS3, OC-3 and OC-12 (VT1.5 and STS-1) channels. SONET Xpress utilizes SONET facilities and is available only in buildings and wire centers (SONET Xpress Network) where the Telephone Company has established shared rings.

For locations where SONET Xpress is not yet available Special Construction charges may apply. Expansion of service areas by means of Special Construction will only be allowed in designated areas consistent with the Telephone Company's construction program. The construction program is anticipated to include Chicago, Illinois; Detroit, Michigan; Columbus, Ohio; Cleveland, Ohio; Indianapolis, Indiana and Milwaukee, Wisconsin, to be completed by approximately the year 2005. SONET Xpress service areas are designated in National Exchange Carrier Association Tariff F.C.C. No. 4.

SONET Xpress service must be specifically ordered even if a customer premises or serving wire center is located in the designated SONET Xpress serving area.

SONET Xpress will provide 50 millisecond protection switching to assure 100 percent availability of the end to end services within the network. When a customer's end to end service utilizes both the SONET Xpress network and non SONET Xpress network, the non SONET Xpress network portion will have the appropriate service guarantees as specified in Section 2.4.4 preceding.

SONET Xpress Service is excluded from any application of Shared Use provisions as described in 7.4.9 following.

**B. Channel Configuration****(1) Network Access Connection (NAC)**

The Network Access Connection provides SONET based access to the SONET Xpress shared transport network. NACs are available with:

- A) Electrical 1.544 Mbps (DS1) interface
- B) Electrical 44.736 Mbps (DS3) interface
- C) Optical 622.08 Mbps (OC-12) interface

The NAC is applicable when the customer's premises is located in a building on the SONET Xpress network.

T  
T  
N

(TR1014)

Issued: October 10, 1996

Effective: November 24, 1996



**ACCESS SERVICE****7. Special Access Service (Cont'd)****7.2 Service Descriptions (Cont'd)****7.2.12 SONET Xpress Service (Cont'd)****(B) Channel Configuration (Cont'd)****(1) Network Access Connection (NAC) (Cont'd)**

The optical NAC interface provides 1+1 protection at the customer's premises and is available in two versions, one with lower level signals (DS1/VT1.5) sorted and grouped within an STS-1 signal by the customer and the other with lower level signals neither sorted nor grouped. When the customer chooses to sort and group the lower level signals, and based on the customer's requirements, each signal within the STS-1 group must be routed to:

- a) one of two Telephone Company selected SONET Xpress wire centers, or
- b) any other Telephone Company wire center.

Both versions are available as 622.08 Mbps (OC-12) with:

- a) DS1/VT1.5 or
- b) DS3/STS-1 or
- c) a mix of the DS1/VT1.5 and DS3/STS-1 signals up to 336 DS1/VT1.5 equivalents.

DS3 Payload Multiplexing Function (PMF) as described in 7.2.12(B)(3) below is not available with the DS3/STS-1 signals in the OC-12 NAC.

**(2) Off-Network Access Connection (ONAC)**

The Off-Network Access Connection provides a SONET based connection to the SONET Xpress shared transport network at a company designated SONET Xpress central office. ONACs are available with electrical 1.544 Mbps (DS1), 44.736 Mbps (DS3) as well as protected optical OC-3 and OC-12 interfaces. The ONAC is applicable when the customer's premises is not located in a building on the SONET Xpress network.

In addition to the ONAC charge, the customer is responsible for the appropriate Local Distribution Channel Charge (and Channel Mileage and Channel Mileage Termination charges, if appropriate) from the customer premises to the ONAC location on the network.

In order to utilize the built in protection on an OC-3 or OC-12 ONAC, the customer must purchase a minimum of the basic 1+1 protection optional feature along with the appropriate Local Distribution Channel. 1+1 protection with Central Office Survivability is not available with SONET Xpress service.

Certain material previously on this page now appears on 1st Revised 214.10.

(TR1014)

Issued: October 10, 1996

Effective: November 24, 1996

Director, Federal Regulatory Planning & Policy, 4G62  
2000 W. Ameritech Center Drive  
Hoffman Estates, Illinois 60196-1025

ACCESS SERVICE

7. Special Access Service (Cont'd)

7.2 Service Descriptions (Cont'd)

7.2.12 SONET Xpress Service (Cont'd)

(B) Channel Configuration (Cont'd)

(3) DS3 Payload Multiplexing Function (PMF)

DS3 Payload Multiplexing Function provides the capability to multiplex up to 28 DS1 channels or 28 VT 1.5 channels with DS1 payload mapping to or from a specific DS3 channel or an STS-1 channel with DS3 payload mapping at a location determined by the Telephone Company within the SONET Xpress Network. Customers can continue to maintain existing DS1 to DS3 traffic relationships while using SONET Xpress access connections and banded transport. DS1 channels from across the serving area can be assigned to a specific DS3 channel for transport to a customer premises and/or a central office location. This option is only available when a DS1/VT1.5 is mapped or delivered to a DS3/STS-1 channel.

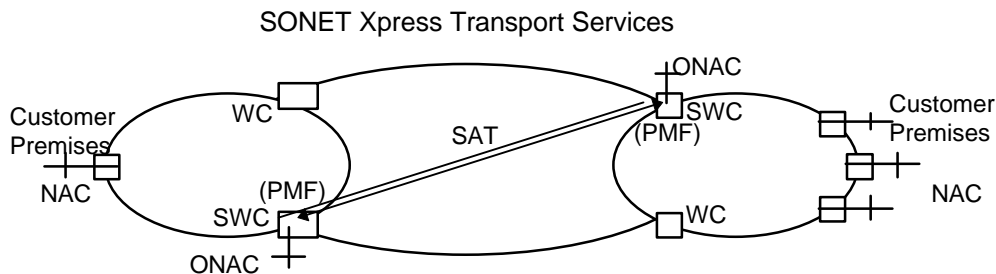
(4) Service Area Transport (SAT)

Service Area Transport provides SONET transport across the SONET Xpress network. The transport is divided into three mileage bands, up to 3 miles, greater than 3 miles up to 10 miles and greater than 10 miles. Transport charges are based on the airline miles between the serving wire center of the NAC and (a), the serving wire center of another NAC or (b), an ONAC location, and/or between two ONAC locations. SAT is available as DS1/VT1.5 point to point, DS3/STS-1 point to point or DS3, OC-3 or OC-12 channelized SAT provided on a per DS1/VT1.5 basis.

M

M

The following is an example of the SONET Xpress rate elements:



NAC = DS1, DS3 or OC-12 Network Access Connection  
 ONAC = DS1, DS3, OC-3 or OC-12 Off-Network Access Connection  
 SAT = DS1/VT1.5 or DS3/STS-1 Service Area Transport  
 PMF = DS3 Payload Multiplexing Function (if applicable)  
 SWC = Serving Wire Center  
 WC = Wire Center

C

Certain material on this page previously appeared on Original 274.9.

Certain material previously on this page now appears on 1st Revised 274.11.

(TR1014)

Issued: October 10, 1996

Effective: November 24, 1996

## ACCESS SERVICE

## 7. Special Access Service (Cont'd)

## 7.2 Service Descriptions (Cont'd)

## 7.2.12 SONET Xpress Service (Cont'd)

## (B) Channel Configuration (Cont'd)

(5) Shared Network Arrangement<sup>(1)</sup>

(C)

- (a) A Shared Network Arrangement is a service offering that enables a customer ("Service User") to connect subtending services to the multiplexed DS3 NAC, OC-12 NAC, DS3 ONAC, OC-3 ONAC or OC-12 ONAC of another customer (the "Host Subscriber"), with the Telephone Company maintaining separate billing for each. Each customer will be billed for those rate elements associated with its own portion of the service configuration. Under no circumstances will the rates or charges of individual rate elements be split. This offering is limited to service configurations where a Service User obtains either subtending DS1 NAC or DS3 NACs from a Host's Multiplexed DS3 NAC, DS3 ONAC, OC-3 ONAC or OC-12 ONAC.
- (b) Under the Shared Network Arrangement, the Telephone Company may share record information with the Host subscriber pertaining to the services of other users of the shared network. Such disclosure will be under the sole discretion of the Telephone Company and is necessary to perform billing reconciliation and/or other functions required in connection with maintaining account records.
- (c) Section 7.4.12 contains rate regulations specific to Shared Network Arrangements.

## (6) Technical Specifications Packages

The technical specifications for SONET Xpress are described in Technical References, AM-TR-NIS-000111 and AM-TR-TMO-000101.

## (C) Optional Payment Plan (OPP)

SONET Xpress is available for 12, 24, 36, 48 or 60 month periods as described in Section 7.4.10 following. Monthly recurring charges apply for NAC, ONAC, SAT and PMF, if applicable.

(1) Effective 05/26/06, this regulation is limited to existing customers. For new customers purchasing Shared Network Arrangement, terms and conditions set forth in Section 5.2 (A), will apply.

(N)  
(N)

(This page filed under Transmittal No. 1551)

ACCESS SERVICE

7. Special Access (Cont'd)

7.2 Service Descriptions (Cont'd)

7.2.13<sup>(1)</sup>

(D)

<sup>(1)</sup> Material in this Section has been de-tariffed as required by the Commission upon use of the forbearance relief pursuant to FCC Memorandum Opinion and Order No. 07-180, released October 12, 2007. Terms and Conditions associated with de-tariffed services are available at [www.att.com/guidebook](http://www.att.com/guidebook).

(This page filed under Transmittal No. 1666)

ACCESS SERVICE

7. Special Access (Cont'd)

7.2 Service Descriptions (Cont'd)

7.2.13 <sup>(1)</sup>

(D)

<sup>(1)</sup> See footnote (1) on page 274.12.

(This page filed under Transmittal No. 1666)

ACCESS SERVICE

7. Special Access (Cont'd)

7.2 Service Description (Cont'd)

7.2.13 <sup>(1)</sup>

(D)

<sup>(1)</sup> See footnote (1) on page 274.12.

(This page filed under Transmittal No. 1666)

ACCESS SERVICE

7. Special Access (Cont'd)

7.2 Service Description (Cont'd)

7.2.13 <sup>(1)</sup>

(D)

<sup>(1)</sup> See footnote (1) on page 274.12.

(This page filed under Transmittal No. 1666)

ACCESS SERVICE

7. Special Access (Cont'd)

7.2 Service Description (Cont'd)

7.2.13 <sup>(1)</sup>

(D)

<sup>(1)</sup> See footnote (1) on page 274.12.

(This page filed under Transmittal No. 1666)



ACCESS SERVICE

7. Special Access (Cont'd)

7.2 Service Descriptions (Cont'd)

7.2.13<sup>(1)</sup>

(D)

<sup>(1)</sup> See footnote (1) on page 274.12.

(This page filed under Transmittal No. 1666)

ACCESS SERVICE

7. Special Access (Cont'd)

7.2 Service Descriptions (Cont'd)

7.2.13<sup>(1)</sup>

(D)

<sup>(1)</sup> See footnote (1) on page 274.12.

(This page filed under Transmittal No. 1666)

ACCESS SERVICE

7. Special Access (Cont'd)

7.2 Service Descriptions (Cont'd)

7.2.13 <sup>(1)</sup>

(D)

<sup>(1)</sup> See footnote (1) on page 274.12.

(This page filed under Transmittal No. 1666)

ACCESS SERVICE

7. Special Access (Cont'd)

7.2 Service Descriptions (Cont'd)

7.2.13<sup>(1)</sup>

(D)

<sup>(1)</sup> See footnote (1) on page 274.12.

(This page filed under Transmittal No. 1666)

ACCESS SERVICE

7. Special Access (Cont'd)

7.2 Service Descriptions (Cont'd)

7.2.13 <sup>(1)</sup>

(D)

<sup>(1)</sup> See footnote (1) on page 274.12.

(This page filed under Transmittal No. 1666)

ACCESS SERVICE

7. Special Access (Cont'd)

7.2 Service Descriptions (Cont'd)

7.2.13 <sup>(1)</sup>

(D)

<sup>(1)</sup> See footnote (1) on page 274.12.

(This page filed under Transmittal No. 1666)

ACCESS SERVICE

7. Special Access Service (Cont'd)

7.2 Service Descriptions (Cont'd)

7.2.13 <sup>(1)</sup>

(D)

<sup>(1)</sup> See footnote (1) on page 274.12.

(This page filed under Transmittal No. 1666)

ACCESS SERVICE

7. Special Access Service (Cont'd)

7.2 Service Descriptions (Cont'd)

7.2.13 <sup>(1)</sup>

(D)

<sup>(1)</sup> See footnote (1) on page 274.12.

(This page filed under Transmittal No. 1666)



ACCESS SERVICE

7. Special Access Service (Cont'd)

7.2 Service Descriptions (Cont'd)

7.2.13 <sup>(1)</sup>

(D)

<sup>(1)</sup> See footnote (1) on page 274.12.

(This page filed under Transmittal No. 1666)

ACCESS SERVICE

7. Special Access Service (Cont'd)

7.2 Service Descriptions (Cont'd)

7.2.13 <sup>(1)</sup>

(D)

<sup>(1)</sup> See footnote (1) on page 274.12.

(This page filed under Transmittal No. 1666)

ACCESS SERVICE

7. Special Access Service (Cont'd)

7.2 Service Descriptions (Cont'd)

7.2.13 <sup>(1)</sup>

(D)

<sup>(1)</sup> See footnote (1) on page 274.12.

(This page filed under Transmittal No. 1666)

ACCESS SERVICE

7. Special Access Service (Cont'd)

7.2 Service Descriptions (Cont'd)

7.2.13 <sup>(1)</sup>

(D)

<sup>(1)</sup> See footnote (1) on page 274.12.

(This page filed under Transmittal No. 1666)

ACCESS SERVICE

7. Special Access Service (Cont'd)

Dx

Dx

x Issued under authority of Special Permission No. 91-1133

(TR593)

Issued: January 6, 1992

Effective: February 10, 1992

Director, Federal Regulatory Planning & Policy, 4G62  
2000 W. Ameritech Center Drive  
Hoffman Estates, Illinois 60196-1025

ACCESS SERVICE

7. Special Access Service (Cont'd)

Dx

Dx

x Issued under authority of Special Permission No. 91-1133

(TR593)

Issued: January 6, 1992

Effective: February 10, 1992

Director, Federal Regulatory Planning & Policy, 4G62  
2000 W. Ameritech Center Drive  
Hoffman Estates, Illinois 60196-1025

ACCESS SERVICE

7. Special Access Service (Cont'd)

Dx

Dx

x Issued under authority of Special Permission No. 91-1133

(TR593)

Issued: January 6, 1992

Effective: February 10, 1992

Director, Federal Regulatory Planning & Policy, 4G62  
2000 W. Ameritech Center Drive  
Hoffman Estates, Illinois 60196-1025

ACCESS SERVICE

7. Special Access Service (Cont'd)

Dx

Dx



ACCESS SERVICE

7. Special Access Service (Cont'd)

Dx

Dx

x Issued under authority of Special Permission No. 91-1133

(TR593)

Issued: January 6, 1992

Effective: February 10, 1992

Director, Federal Regulatory Planning & Policy, 4G62  
2000 W. Ameritech Center Drive  
Hoffman Estates, Illinois 60196-1025

ACCESS SERVICE

7. Special Access Service (Cont'd)

Dx

Dx

x Issued under authority of Special Permission No. 91-1133

(TR593)

Issued: January 6, 1992

Effective: February 10, 1992

Director, Federal Regulatory Planning & Policy, 4G62  
2000 W. Ameritech Center Drive  
Hoffman Estates, Illinois 60196-1025

ACCESS SERVICE

7. Special Access Service (Cont'd)

Dx

Dx

x Issued under authority of Special Permission No. 91-1133

(TR593)

Issued: January 6, 1992

Effective: February 10, 1992

Director, Federal Regulatory Planning & Policy, 4G62  
2000 W. Ameritech Center Drive  
Hoffman Estates, Illinois 60196-1025

ACCESS SERVICE

7. Special Access Service (Cont'd)

Dx

Dx

x Issued under authority of Special Permission No. 91-1133

(TR593)

Issued: January 6, 1992

Effective: February 10, 1992

Director, Federal Regulatory Planning & Policy, 4G62  
2000 W. Ameritech Center Drive  
Hoffman Estates, Illinois 60196-1025

ACCESS SERVICE

7. Special Access Service (Cont'd)

Dx

Dx

x Issued under authority of Special Permission No. 91-1133

(TR593)

Issued: January 6, 1992

Effective: February 10, 1992

Director, Federal Regulatory Planning & Policy, 4G62  
2000 W. Ameritech Center Drive  
Hoffman Estates, Illinois 60196-1025

ACCESS SERVICE

7. Special Access Service (Cont'd)

Dx

Dx

x Issued under authority of Special Permission No. 91-1133

(TR593)

Issued: January 6, 1992

Effective: February 10, 1992

Director, Federal Regulatory Planning & Policy, 4G62  
2000 W. Ameritech Center Drive  
Hoffman Estates, Illinois 60196-1025

ACCESS SERVICE

7. Special Access Service (Cont'd)

Dx

Dx

x Issued under authority of Special Permission No. 91-1133

(TR593)

Issued: January 6, 1992

Effective: February 10, 1992

Director, Federal Regulatory Planning & Policy, 4G62  
2000 W. Ameritech Center Drive  
Hoffman Estates, Illinois 60196-1025

ACCESS SERVICE

7. Special Access Service (Cont'd)

Dx

Dx



ACCESS SERVICE

7. Special Access Service (Cont'd)

Dx

Dx

x Issued under authority of Special Permission No. 91-1133

(TR593)

Issued: January 6, 1992

Effective: February 10, 1992

Director, Federal Regulatory Planning & Policy, 4G62  
2000 W. Ameritech Center Drive  
Hoffman Estates, Illinois 60196-1025

ACCESS SERVICE

7. Special Access Service (Cont'd)

Dx

Dx

ACCESS SERVICE

7. Special Access Service (Cont'd)

Dx

Dx

x Issued under authority of Special Permission No. 91-1133

(TR593)

Issued: January 6, 1992

Effective: February 10, 1992

Director, Federal Regulatory Planning & Policy, 4G62  
2000 W. Ameritech Center Drive  
Hoffman Estates, Illinois 60196-1025

ACCESS SERVICE

7. Special Access Service (Cont'd)

Dx

Dx

x Issued under authority of Special Permission No. 91-1133

(TR593)

Issued: January 6, 1992

Effective: February 10, 1992

Director, Federal Regulatory Planning & Policy, 4G62  
2000 W. Ameritech Center Drive  
Hoffman Estates, Illinois 60196-1025

ACCESS SERVICE

7. Special Access Service (Cont'd)

Dx

Dx

x Issued under authority of Special Permission No. 91-1133

(TR593)

Issued: January 6, 1992

Effective: February 10, 1992

Director, Federal Regulatory Planning & Policy, 4G62  
2000 W. Ameritech Center Drive  
Hoffman Estates, Illinois 60196-1025

ACCESS SERVICE

7. Special Access Service (Cont'd)

Dx

Dx

ACCESS SERVICE

7. Special Access Service (Cont'd)

Dx

Dx

x Issued under authority of Special Permission No. 91-1133

(TR593)

Issued: January 6, 1992

Effective: February 10, 1992

Director, Federal Regulatory Planning & Policy, 4G62  
2000 W. Ameritech Center Drive  
Hoffman Estates, Illinois 60196-1025

ACCESS SERVICE

7. Special Access Service (Cont'd)

Dx

Dx

x Issued under authority of Special Permission No. 91-1133

(TR593)

Issued: January 6, 1992

Effective: February 10, 1992

Director, Federal Regulatory Planning & Policy, 4G62  
2000 W. Ameritech Center Drive  
Hoffman Estates, Illinois 60196-1025



ACCESS SERVICE

7. Special Access Service (Cont'd)

Dx

Dx

x Issued under authority of Special Permission No. 91-1133

(TR593)

Issued: January 6, 1992

Effective: February 10, 1992

Director, Federal Regulatory Planning & Policy, 4G62  
2000 W. Ameritech Center Drive  
Hoffman Estates, Illinois 60196-1025

ACCESS SERVICE

7. Special Access Service (Cont'd)

Dx

Dx

x Issued under authority of Special Permission No. 91-1133

(TR593)

Issued: January 6, 1992

Effective: February 10, 1992

Director, Federal Regulatory Planning & Policy, 4G62  
2000 W. Ameritech Center Drive  
Hoffman Estates, Illinois 60196-1025

ACCESS SERVICE

7. Special Access Service (Cont'd)

Dx

Dx

ACCESS SERVICE

7. Special Access Service (Cont'd)

Dx

Dx

x Issued under authority of Special Permission No. 91-1133

(TR593)

Issued: January 6, 1992

Effective: February 10, 1992

Director, Federal Regulatory Planning & Policy, 4G62  
2000 W. Ameritech Center Drive  
Hoffman Estates, Illinois 60196-1025

ACCESS SERVICE

7. Special Access Service (Cont'd)

Dx

Dx

x Issued under authority of Special Permission No. 91-1133

(TR593)

Issued: January 6, 1992

Effective: February 10, 1992

Director, Federal Regulatory Planning & Policy, 4G62  
2000 W. Ameritech Center Drive  
Hoffman Estates, Illinois 60196-1025

ACCESS SERVICE

7. Special Access Service (Cont'd)

Dx

Dx

x Issued under authority of Special Permission No. 91-1133

(TR593)

Issued: January 6, 1992

Effective: February 10, 1992

Director, Federal Regulatory Planning & Policy, 4G62  
2000 W. Ameritech Center Drive  
Hoffman Estates, Illinois 60196-1025

ACCESS SERVICE

7. Special Access Service (Cont'd)

Dx

Dx

x Issued under authority of Special Permission No. 91-1133

(TR593)

Issued: January 6, 1992

Effective: February 10, 1992

Director, Federal Regulatory Planning & Policy, 4G62  
2000 W. Ameritech Center Drive  
Hoffman Estates, Illinois 60196-1025

ACCESS SERVICE

7. Special Access Service (Cont'd)

Dx

Dx

x Issued under authority of Special Permission No. 91-1133

(TR593)

Issued: January 6, 1992

Effective: February 10, 1992

Director, Federal Regulatory Planning & Policy, 4G62  
2000 W. Ameritech Center Drive  
Hoffman Estates, Illinois 60196-1025



## ACCESS SERVICE

## 7. Special Access Service (Cont'd)

## 7.4 Rate Regulations

This section contains the specific regulations governing the rates and charges that apply for Special Access Service.

## 7.4.1 Rate Zones

Rate zones are applicable to DS1 (1.544 Mbps) and DS3 (44.736 Mbps) services described in this section, and Special Facilities Routing Arrangements for these services as described in Section 11, following. Each Telephone Company Wire Center, under an Optional Payment Plan term, has been assigned to a rate zone. To determine the rate zone wire center assignments use the following: (T)

- For DS1 and DS3 services subscribed to prior to November 18, 2000, the wire center rate zone assignments can be found in Section 7.7 following, (T)
- For DS1 and DS3 services subscribed to on or after November 18, 2000, the wire center rate zone assignments included in the National Exchange Carrier Association, Inc. (NECA) F.C.C. Tariff No. 4 are assigned to rate zones 1, 2, 3 and 4. All other Telephone Company offices are assigned to zone 5. (T)

In addition, Local Distribution Channel, Channel Mileage and Channel Mileage Termination rates are dependent upon the zone assignment of the Service Wire Center. Channel Mileage and Channel Mileage Termination that is computed between wire centers in different rate zones will be assessed the rates in the higher priced rate zone. Multiplexing rates will be determined by the location of the multiplexing arrangement.

## 7.4.2 Types of Rates and Charges

There are three types of rates and charges. These are monthly rates, daily rates and nonrecurring charges. The rates and charges are described as follows:

## (A) Monthly Rates

Monthly rates are flat recurring rates that apply each month or fraction thereof that a Special Access Service is provided. For billing purposes, each month is considered to have 30 days.

(This page filed under Transmittal No. 1357)

ACCESS SERVICE

7. Special Access Service (Cont'd)

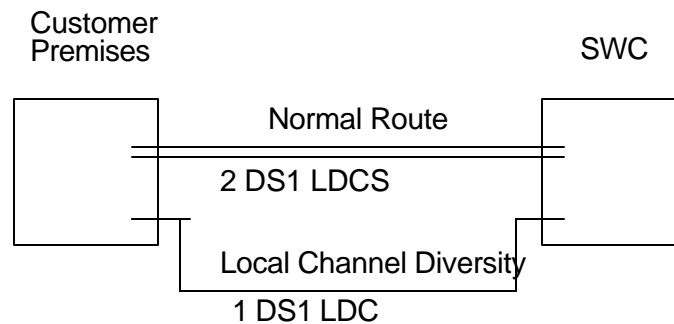
7.4 Rate Regulations (Cont'd)

7.4.2 Types of Rates and Charges (Cont'd)

(A) Monthly Rates (Cont'd)

The following example depicts the applicable recurring monthly charges for an arrangement providing one DS1 LDC provisioned over a Local Channel Diversity Arrangement and two DS1 LDCs provisioned over the normal route:

(T)  
(T)



(T)  
(T)

The following recurring rates apply to the 2 LDCs provisioned over the normal route:

- (1) DS1 LDC (Sec. 7.5.9)
- (2) DS1 LDC (Sec. 7.5.9)

(T)  
(T)

The following recurring rates apply to the LDC provisioned over a Local Channel Diversity Arrangement:

- (1) DS1 LDC (Sec. 7.5.9)
- (2) Local Channel Diversity, Digital 1.544 Mbps, First Channel (Sec. 11.3.1)

(T)

Monthly rates are applied in the same manner, as depicted above, for Serving Wire Center Avoidance Arrangements.

(This page filed under Transmittal No. 1357)

ACCESS SERVICE

- 7. Special Access Service (cont'd)
  - 7.4 Rate Regulations (cont'd)
    - 7.4.2 Types of Rates and Charges (cont'd)

(A) Monthly Rates (cont'd)

Each DS3 Service Package with an Optical Interface provides the capability to provision a maximum number of DS3 (44.736 Mbps) channels. The DS3 Service Channels (SC) are the individually activated 44.736 Mbps channels. Each DS3 Service Package with an Optical Interface must have a minimum number of service channels activated at all times. A new DS3 Service Package with an Optical Interface must be installed with at least the minimum required Service Channels. A customer may not disconnect Service Channels from an existing DS3 Service Package with an Optical Interface below the minimum required in that package without downgrading the Service Package size or terminating the DS3 LDC Service. (T)

DS3 Service Package With Optical Interface	Minimum Required SCs	Maximum Number of DS3 Equivalent SCs in Package
DS3012	7	12
DS3024	13	24

All DS3 Service Channels within the package must be ordered for termination at the same customer designated premises, billed to the same customer and in the same Serving Wire Center (SWC). Separate DS3 Service Packages with an Optical Interface must be ordered if provisioned by means of a Local Channel Diversity or a Serving Wire Center Avoidance Special Facilities Routing Arrangement as specified in 11.2.1 following. All Service Channels in a package are required to be connected to other service components (i.e., Channel Mileage, Multiplexing, or another Service Channel) at the time the Service Channel is installed, except at the fiber hub. (T)

(This page filed under Transmittal No. 1357 )

Issue: October 6, 2003  
 October 21, 2003

Effective:

One SBC Plaza, Dallas, Texas 75202

(T)  
 (D)  
 (D)

ACCESS SERVICE

7. Special Access Service (Cont'd)

7.4 Rate Regulations (Cont'd)

7.4.2 Types of Rates and Charges (Cont'd)

(A) Monthly Rates (Cont'd)

The interconnection of individual Service Channels with other components, such as Channel Mileage and Multiplexing, may be different. For example, one Service Channel within the package may have Multiplexing, while another Service Channel may have Channel Mileage associated with it. Components connected to each Service Channel in the service package may have different Optional Payment Plan periods from the service package in which the Service Channels reside.

(x)  
|  
(x)

(B) Daily Rates

Daily rates are flat recurring rates that apply to each 24 hour period or fraction thereof that a Program Audio or Video Special Access Service is provided for part-time or occasional use. For purposes of applying daily rates, the 24 hour period is not limited to a calendar day.

The application of daily rates for Program Audio and Video services during a consecutive 30 day period is as follows. Daily rates will be topped at an amount equal to the monthly rate (i.e., the charge to the customer for usage billed at Daily rates will not exceed the monthly rate). For each day or part day of usage after the daily rates have been topped, a charge equal to 1/30th of the monthly rate will apply.

Hourly

Hourly rates are flat recurring rates that apply to each hour period or fraction thereof that a Video Special Access Service is provided

x Issued under authority of Special Permission No. 02-112 of the F.C.C. in order to restore currently effective provisions and to withdraw material filed under Transmittal No. 1313 without becoming effective.

(This page filed under Transmittal No. 1317)

## ACCESS SERVICE

## 7. Special Access Service (Cont'd)

## 7.4 Rate Regulations (Cont'd)

## 7.4.2 Types of Rates and Charges (Cont'd)

## (C) Nonrecurring Charges\*

Nonrecurring charges are one-time charges that apply for specific work activity (i.e., installation of new services and rearrangements of installed services). The nonrecurring charges that apply for installation of Special Access Service are described in (1) through (3), following. Application of nonrecurring charges for service rearrangements is described in (6), following.

Certain optional features and functions also have separate installation nonrecurring charges as described in (4), following. There are also separate nonrecurring charges for circuit record work associated with hub rearrangements. Applications of these charges is described in (5), following.

## (1) Administrative Charge

The Administrative Charge applies any time a customer initiates an order for service. This charge applies once per customer order, as described in Section 5.1 preceding. Administrative Charges for Special Access Service are set forth in 7.5.15 following.

## (2) Design and Central Office Connection Charge

The Design and Central Office Connection Charge applies to each service installed, and is charged once per circuit, except for multipoint Supertrunking Video Service (ASVS). For multipoint ASVS circuits, one Design and Central Office Connection Charge is charged for each leg of the ASVS circuit associated with a terminating customer premises. The nonrecurring charges for design and central office connection are set forth in 7.5.15 following.

(T)

## (3) Customer Connection Charge

The Customer Connection Charge applies to each service installed, and is charged once per Local Distribution Channel. The nonrecurring charges for customer connection are set forth in 7.5.15 following.

If a single order involves 500 or more terminations at the same location on the same customer requested date, the individual nonrecurring charges for the services provided will not apply, except for the Administrative Charge. The customer will be notified and will be provided

\* For Services ordered under MVP, refer to Section 19.3(E)(5).

(This page filed under Transmittal No. 1357)

Issued: October 6, 2003

Effective: October 21, 2003

One SBC Plaza, Dallas, Texas 75202

## ACCESS SERVICE

## 7. Special Access Service (Cont'd)

## 7.4 Rate Regulations (Cont'd)

## 7.4.2 Types of Rates and Charges (Cont'd)

## (C) Nonrecurring Charges\* (Cont'd)

with an estimate of the design and installation charges involved based on the specific work to be performed. Such charges will be determined and billed to the customer as follows:

To calculate the labor charges, the Telephone Company will keep track of the labor hours used to meet the request of the customer and bill the customer at the applicable Additional Labor charges as set forth in 13.2.6 following for engineering, and 13.1.1 following for labor and testing.

An estimate of total charges will be provided to the customer, along with a request for authorization to incur the costs. Work will not proceed until authorization is received from the customer. Total charges will not exceed the estimate by more than 10 percent, nor will they exceed the standard nonrecurring charges which would otherwise apply.

## (4) Installation of Optional Features and Functions

Nonrecurring charges apply for the installation of some of the optional features and functions available with Special Access Service. The charge applies whether the feature or function is installed coincident with the initial installation of service or at any time subsequent to the installation of the service.

The optional features for which nonrecurring charges apply are:

- Direct Analog Service Data Capability
- Direct Analog Service Improved Attenuation Distortion
- Direct Analog Service Improved Envelope Delay Distortion
- Direct Analog Service Telephoto Capability
- DS1 Clear Channel Capability
- Program Audio Gain Conditioning
- Program Audio Stereo
- Wideband Data Transfer Arrangement

(T)

\* For Services ordered under MVP, refer to Section 19.3(E)(5).

(This page filed under Transmittal No. 1357)

Issued: October 6, 2003

Effective: October 21, 2003

ACCESS SERVICE

7. Special Access Service (Cont'd)

7.4 Rate Regulations (Cont'd)

7.4.2 Types of Rates and Charges (Cont'd)

(C) Nonrecurring Charges\* (Cont'd)

(5) Hub Rearrangements

(a) No Change in Point of Termination

A Hub Rearrangement occurs when an existing channelized Ameritech digital service between a customer premises and a facility hub is multiplexed onto a new higher speed Ameritech digital service at the hub. When this occurs, the facility records of the existing lower speed analog or digital services associated with the existing channelized Ameritech digital service must be changed to reflect the transport of these lower speed services at the new higher speed interface. A Hub Rearrangement applies only when the following conditions are met:

- neither customer location changes;
- the existing multiplexer associated with the lower speed services is not physically moved; and
- all rearranged facilities are included in one customer request

One nonrecurring Hub Rearrangement Record Charge, as set forth in 7.5.13 following, is applicable to each existing Ameritech DS3 to Ameritech DS1 or Ameritech DS1 to Voice/Ameritech Base Rate multiplexer that requires associated lower speed service facility record changes.

No Design and Central Office Connection or Customer Connection Charges apply to the multiplexed lower speed services which terminate at the hub. Absent a specific customer request, end-to-end testing will not be performed. If the customer requests end-to-end testing, a Customer Connection Charge will apply to each low speed circuit tested.

When cascading multiplexing is performed, whether in the same or a different hub, a charge for the rearrangement of services associated with the additional multiplexer also applies. For example, when a hub rearrangement occurs for services associated with an DS3 to DS1 multiplexer and the DS1 services from this multiplexer are also multiplexed to Direct Analog services, one Hub Rearrangement Record Charge applies for the services rearranged on the DS3 to DS1 multiplexer and one for the services rearranged on each DS1 to Voice/Base Rate multiplexer.

(T)  
 (T)  
 (T)  
 (T)

\* For Services ordered under MVP, refer to Section 19.3(E)(5).

(This page filed under Transmittal No. 1357)

ACCESS SERVICE

7. Special Access Service (Cont'd)

7.4 Rate Regulations (Cont'd)

7.4.2 Types of Rates and Charges (Cont'd)

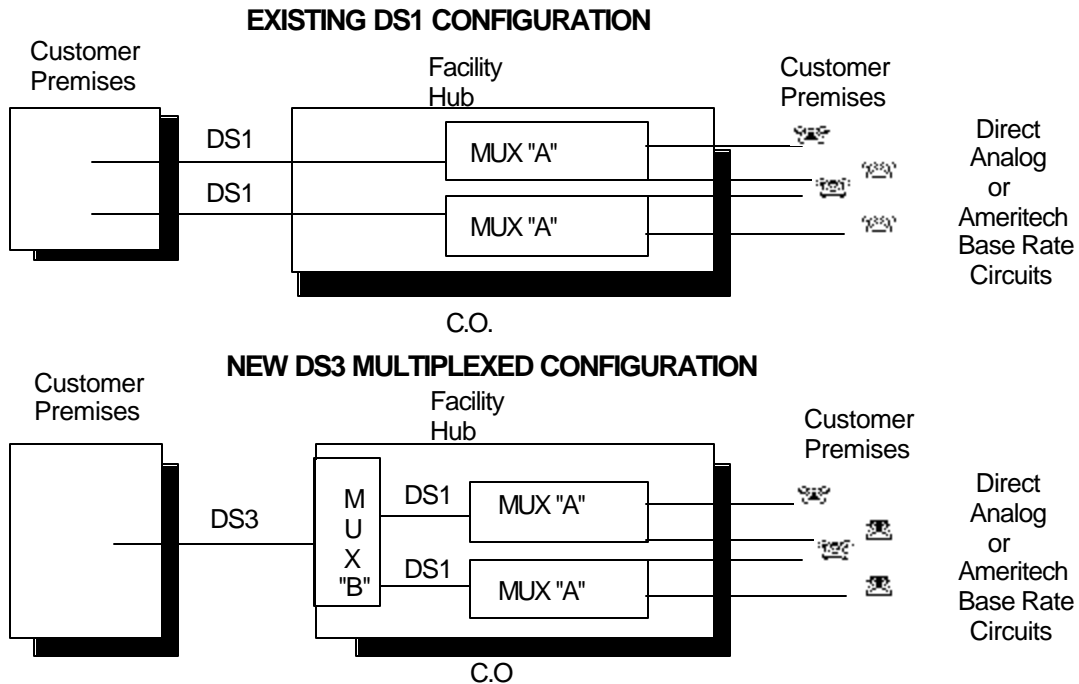
(C) Nonrecurring Charges\* (Cont'd)

(5) Hub Rearrangements (Cont'd)

(a) No Change in Point of Termination (Cont'd)

Hub Rearrangement of lower speed services on a channelized DS1 service resulting from multiplexing the DS1 service onto an DS3 service with an DS3 to DS1 multiplexer is illustrated below:

(T)  
(T)



A - DS1 to Voice/Base Rate Multiplexer  
 B - DS3 to DS1 Multiplexer

(T)  
(T)

In the preceding illustration, one Hub Rearrangement Record Charge applies for each of the two DS1 to Voice/Base Rate multiplexers which have lower speed services associated with them that are affected by the hub rearrangement. Rates and charges as specified in 7.5.9 and 7.5.13 following apply for installation of the DS3 service, the DS3 to DS1 multiplexer, and each DS1 service rearranged to terminate in DS3 to DS1 multiplexer. The Direct Analog Service or the Base Rate Customer Connection Charge applies only to those specific Direct Analog or Base Rate Services for which the customer requests end-to-end testing.

(T)  
(T)  
(T)  
(T)  
(T)

\* For Services ordered under MVP, refer to Section 19.3(E)(5).

(This page filed under Transmittal No. 1357)



## ACCESS SERVICE

## 7. Special Access Service (Cont'd)

## 7.4 Rate Regulations (Cont'd)

## 7.4.2 Types of Rates and Charges (Cont'd)

## (C) Nonrecurring Charges\* (Cont'd)

## (5) Hub Rearrangements (Cont'd)

## (b) High Speed Point of Termination Change

Hub Rearrangement will occur when an existing channelized Ameritech digital service is rearranged to an existing Ameritech digital service or Expanded Interconnection Service with a change in the high speed point of termination and where the location of the multiplexer and the configuration of lower speed services on the multiplexer are not affected.

Except as noted below, all facilities and equipment required for the activity must already exist:

- Rearranging an existing service from one multiplexer to another multiplexer.
- Rearranging an existing lower speed service to an existing multiplexed higher speed service.
- Rearranging from Special Access Service to/or from Expanded Interconnection Service.

No Design and Central Office Connection or Customer Connection charges will apply to the multiplexed lower speed services of the service being rolled over as long as there is no physical change to the lower speed services. However a Hub Rearrangement record change charge as set forth in 7.5.13 following, will apply for each multiplexer that requires associated lower speed service facility record changes. If the customer requests end-to-end testing, a Customer Connection Charge will apply to each low speed service tested.

When cascading multiplexing is performed, whether in the same or a different hub, a charge for the rearrangement of services associated with the additional multiplexer also applies. For example, when a hub rearrangement occurs for services associated with an DS3 to DS1 multiplexer and the DS1 services from this multiplexer are also multiplexed to Direct Analog services, one Hub Rearrangement Record Charge applies for the services rearranged on the DS3 to DS1 multiplexer and one for the services rearranged on each DS1 to Voice/Base Rate multiplexer.

(T)

(T)

(T)

\* For Services ordered under MVP, refer to Section 19.3(E)(5).

(This page filed under Transmittal No. 1357)

Issued: October 6, 2003

Effective: October 21, 2003

## ACCESS SERVICE

## 7. Special Access Service (Cont'd)

## 7.4 Rate Regulations (Cont'd)

## 7.4.2 Types of Rates and Charges (Cont'd)

## (C) Nonrecurring Charges\* (Cont'd) (C)

## (6) Service Rearrangements

Service rearrangements are changes to existing (installed) services which do not result in either a change in the minimum period requirements as set forth in 5.2.5 preceding or a change in the physical location of the point of termination at a customer or customer's end user premises. Changes which result in the establishment of new minimum period obligations are treated as disconnects and starts.

Changes in the physical location of the point of the termination are treated as moves and are described and charged for as set forth in 7.4.6 following.

The charge to the customer for the service rearrangement is dependent on whether the change is "records only" in nature or involves actual physical change to the service.

Certain "records only" changes will be made without charge(s) to the customer. Such changes require the continued provision and billing of the Access Service to the same entity (i.e., customer remains responsible for all outstanding indebtedness for the Access Service). Following are examples of "records only" changes:

\* For Services ordered under MVP, refer to Section 19.3(E)(5).

(C)

(This page filed under Transmittal No. 1259)

Issued: December 15, 2000

Effective: December 30, 2000

(T)  
(D)  
(D)

## ACCESS SERVICE

## 7. Special Access Service (Cont'd)

## 7.4 Rate Regulations (Cont'd)

## 7.4.2 Types of Rates and Charges (Cont'd)

## (C) Nonrecurring Charges\* (Cont'd)

## (6) Service Rearrangements (Cont'd)

- Change of customer name (i.e., the customer of record does not change but rather the customer of record changes its name -- e.g., AT&T Long Lines to AT&T - Communications),
- Change of customer premises or customer's end user premises address when the change of address does not require a physical relocation of equipment,
- Change in billing data (name, address, or contact name or telephone number or Optional Payment Plan information),
- Change of customer or customer's end user contact name or telephone number.

All other service rearrangements will be charged for as follows:

- If a change involves a change of the customer of record (i.e., Access Service is provided and billed to a different entity) and no physical relocation or rearrangement of the service is required, the Administrative Charge will apply. For the change of customer of record to be treated as a service rearrangement, the new customer must assume liability for both current and prior charges for the service.
- If the change involves the addition of one or more legs to an existing multipoint service, one Design and Central Office Connection Charge associated with the Special Access Service will apply, regardless of the number of legs added, except for multipoint Ameritech Supertrunking Video Service (ASVS). One Design and Central Office Connection Charge will apply for the addition of each leg of multipoint ASVS service associated with a terminating customer premises. One Customer Connection Charge will apply only for each leg that is being added. One Administrative Charge will also apply. (T)

\* For Services ordered under MVP, refer to Section 19.3(E)(5).

(This page filed under Transmittal No. 1357)

## ACCESS SERVICE

## 7. Special Access Service (Cont'd)

## 7.4 Rate Regulations (Cont'd)

## 7.4.2 Types of Rates and Charges (Cont'd)

## (C) Nonrecurring Charges\* (Cont'd)

## (6) Service Rearrangements (Cont'd)

- If a change involves the addition of Optional Features and Functions with separate nonrecurring charges for any service except DS3 Service, the Design and Central Office Connection Charge and the Customer Connection Charge associated with the Special Access Service will apply in addition to the separate nonrecurring charge. The Administrative Charge will also apply. (T)
- If a change involves the Optional Fiber Hub Cross-connection Service for DS3, DS1 or DS0 (Base Rate and Direct Analog) service, the Administrative Charge will apply in addition to the separate nonrecurring charge. No other nonrecurring charges will apply. (T)
- If a change involves the addition of Optional Features and Functions without separate nonrecurring charges for any service except DS3 Service, the Design and Central Office Connection Charge and the Customer Connection Charge associated with the Special Access Service will apply. The Administrative Charge will also apply. This includes, but is not limited to, the inclusion of existing DS3, DS1 and Base Rate Services in the customer's Network Reconfiguration Service (ANRS) database. (T)
- If a change involves the removal of Optional Features and Functions, either with or without separate nonrecurring charges, the Design and Central Office Charge and the Administrative Charge associated with the Special Access Service will apply. (T)
- If a change involves the rearrangement of an existing point-to-point DS1 or DS3 service onto a higher speed Ameritech digital service at a facility hub, or cross-connection to an interconnection arrangement in the same central office via Electronic Cross-Connection Service described in Section 16.4, following, the Administrative Charge and the Design and Central Office Connection Charge will apply. If a customer specifically requests end-to-end testing, then a Customer Connection Charge will also apply. (T)
- If a change involves the rearrangement of an OCN Point-to-Point Service from point-to-point (non-channelized) service to an arrangement with an add/drop multiplexer and an Add/Drop function or vice-versa, an Administrative Charge, Design and Central Office Connection Charge and Customer Connection Charge will apply. (T)

\* For Services ordered under MVP, refer to Section 19.3(E)(5).

(This page filed under Transmittal No. 1357)

## ACCESS SERVICE

## 7. Special Access Service (Cont'd)

## 7.4 Rate Regulations (Cont'd)

## 7.4.2 Types of Rates and Charges (Cont'd)

## (C) Nonrecurring Charges\* (Cont'd)

## (6) Service Rearrangements (Cont'd)

- If a change is made in payload mapping within an OCN Point-to-Point Service package, this change will require a redesign of OCN Point-to-Point Service and an Administrative Charge and Design and Central Office Connection Charge will apply.
- If a change is made in payload mapping within an OC-3, OC-12 or OC-48 Dedicated Ring service, an Administrative Charge and Design and Central Office Connection Charge will apply. (T)
- If the change involves a change in the type of signaling on a Direct Analog Service, the Design and Central Office Connection Charge and the Customer Connection Charge associated with Direct Analog Service will apply. The Customer Connection Charge will apply per LDC affected. The Administrative Charge will also apply.
- If the Priority Restoration (PR) Level is changed on a Telecommunications Service Priority System service, the PR Level Change Charge will apply. The Administrative Charge will also apply.
- If a change involves the option Multiplexer Cross-Connection Service for DS1 and DS3 Service, the Administrative Charge will apply in addition to the Design and Central Office Connection Charge. No other nonrecurring charges will apply. (T)
- If the change to an Supertrunking Video Service involves a change in the number of video channels transported, a customer premises visit may be required. If a customer visit is required, the Customer Connection Charge will apply per LDC affected. The Administrative Charge will also apply. (T)

\* For Services ordered under MVP, refer to Section 19.3(E)(5).

(This page filed under Transmittal No. 1357)

ACCESS SERVICE

7. Special Access Service (Cont'd)

7.4 Rate Regulations (Cont'd)

7.4.2 Types of Rates and Charges (Cont'd)

(C) Nonrecurring Charges\* (Cont'd)

(6) Service Rearrangements (Cont'd)

- For changes made to an DS3 Service Package with an Optical Interface, nonrecurring charges will apply as follows: (T)

Description	Number of Charges		
	Administrative	Design / Central Office	Customer Connections
(a) Connect 14 new DS3 SCs in two New DS3012 Service Packages (T)			
- same serving wire center	1	7	14
- different serving wire centers, (with Channel Mileage)	1	7	14

\* For Services ordered under MVP, refer to Section 19.3(E)(5).

(This page filed under Transmittal No. 1357)

ACCESS SERVICE

7. Special Access Service (Cont'd)

7.4 Rate Regulations (Cont'd)

7.4.2 Types of Rates and Charges (Cont'd)

(C) Nonrecurring Charges (Cont'd)

(6) Service Rearrangements (Cont'd)

T

(TR756)

Issued: November 30, 1993

Effective: December 31, 1993

Director, Federal Regulatory, 4F20  
2000 W. Ameritech Center Drive  
Hoffman Estates, Illinois 60196-1025

ACCESS SERVICE

7. Special Access Service (cont'd)

7.4 Rate Regulations (cont'd)

7.4.2 Types of Rates and Charges (cont'd)

(C) Nonrecurring Charges\* (cont'd)

(6) Service Rearrangements (cont'd)

(b) DS3 Service Package with an Optical Interface Upgrade

(T)

The following examples illustrate the applicable nonrecurring charges, assuming each SC in the new package is connected to another SC (typical point to point connection).

Description	Number of Charges		
	Administrative	Design / Central Office	Customer Connections
To DS3024 from DS3012			
- no premises-to-premises test	1	12	24
- with premises-to-premises test	1	12	48

\* For Services ordered under MVP, refer to Section 19.3(E)(5).

(This page filed under Transmittal No. 1357)

Issued: October 6, 2003

Effective: October 21, 2003



**ACCESS SERVICE**

**7. Special Access Service (Cont'd)**

**7.4 Rate Regulations (Cont'd)**

D

D

## ACCESS SERVICE

## 7. Special Access Service (Cont'd)

## 7.4 Rate Regulations (Cont'd)

## 7.4.2 Types of Rates and Charges (Cont'd)

## (C) Nonrecurring Charges\* (Cont'd) (C)

## (6) Service Rearrangements (Cont'd)

- For all other changes which require physical work to be performed, one Design and Central Office Connection Charge and one Customer Connection Charge per LDC will apply. The Administrative Charge will also apply.
- For all other changes not requiring physical work at the central office or customer premises, including a change in the customer assigned circuit identification, billing account number (when initiated by the customer), jurisdiction without a physical rearrangement of facilities, or customer assigned test line number, the Administrative Charge will apply.

Only one such charge will apply per order. If the rearrangements are initiated by the Telephone Company, or if the rearrangements are necessary to conform Telephone Company records to MECAB or MECOD requirements for jointly provided services, no charge will apply.

\* For Services ordered under MVP, refer to Section 19.3(E)(5).

(C)

(This page filed under Transmittal No. 1259)

Issued: December 15, 2000

Effective: December 30, 2000

One Bell Plaza, Dallas, Texas 75202

(T)  
(D)  
(D)

ACCESS SERVICE

7. Special Access Service (Cont'd)

7.4 Rate Regulations (Cont'd)

7.4.2 Types of Rates and Charges (Cont'd)

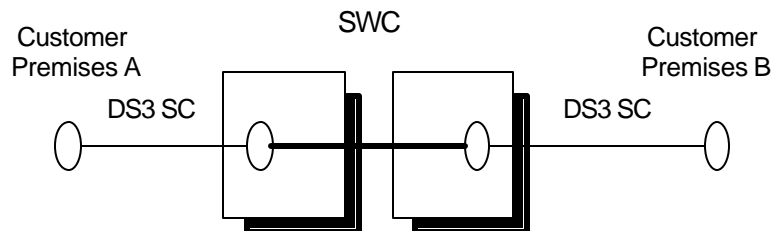
(C) Nonrecurring Charges\* (Cont'd)

(7) DS3 Service

(a) DS3 Service Packages with an Optical Interface

Nonrecurring charges as specified in Section 7.5.13, following, apply for the installation of DS3 Service Channels with an Optical Interface. One Administrative Charge, per customer order, applies to all package sizes. The Design and Central Office Connection Charge is applied per circuit and does not apply to Fiber Hub Service Channels not connected to any other components. One Customer Connection Charge is applied to each Service Channel activated.

The following examples depict the applicable nonrecurring charges for the installation of two identical new DS3 Service Packages with an Optical Interface with service channels configured as premises-to-premises circuits between the same two points at the time of installation, assuming each SC in the package is connected.



Package at Customer Premises A	Package at Customer Premises B	Administrative	Design / Central Office	Customer Connections
DS3012 (12 SCs)	DS3012	1	12	24
DS3024 (24 SCs)	DS3024	1	24	48

\*For Services ordered under MVP, refer to Section 19.3(E)(5).

(This page filed under Transmittal No. 1357)

ACCESS SERVICE

7. Special Access Service (Cont'd)

7.4 Rate Regulations (Cont'd)

7.4.2 Types of Rates and Charges (Cont'd)

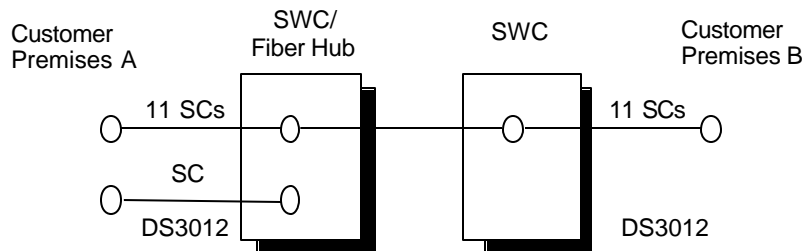
(C) Nonrecurring Charges\* (Cont'd)

(7) DS3 Service (Cont'd) (T)

(a) DS3 Service Packages with an Optical Interface (Cont'd)

DS3 Service Package Installation (T)

The following examples depict the applicable nonrecurring charges for the installation of new DS3 Service Packages, which terminate into a Fiber Hub office and all but one of the Service Channels are cross-connected. (T)



Package at Customer Premises A	Package at Customer Premises B	Administrative	Design / Central Office	Customer Connections
DS3012 (12 SCs)	DS3012	2	11	23

\*For Services ordered under MVP, refer to Section 19.3(E)(5).

(This page filed under Transmittal No. 1357)

Issued: October 6, 2003

Effective: October 21, 2003

ACCESS SERVICE

7. Special Access Service (Cont'd)

7.4 Rate Regulations (Cont'd)

7.4.2 Types of Rates and Charges (Cont'd)

(C) Nonrecurring Charges\* (Cont'd)

(7) DS3 Service (Cont'd)

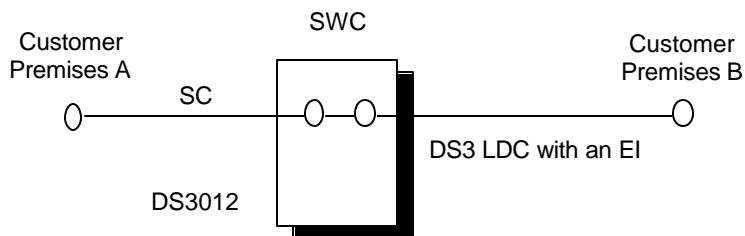
(T)

(a) DS3 Service Packages with an Optical Interface (Cont'd)

DS3 Service Package Installation (Cont'd)

(T)

The following illustration depicts the connection of 1 DS3 SC within a DS3012 Service Package to a DS3 LDC with an Electrical Interface (EI) and the applicable nonrecurring charges incurred. Because the DS3 Service Package serving premises A and the DS3 LDC with EI serving premises B are of different sizes, separate orders are required to install the service between the two premises. The SCs in the DS3012 package not interconnected to the DS3 LDC with an EI, if ordered, are required to be interconnected to other components (i.e., channel mileage termination or multiplexing when activated).



Applicable nonrecurring charges are:

- 1 Administrative Charge
- 1 Design and Central Office Charges (1 per circuit)
- 2 Customer Connection Charges  
 (1 for the DS3012 at Premises A and 1 for the DS3 with an EI at Premises B)

\* For Services ordered under MVP, refer to Section 19.3(E)(5).

(This page filed under Transmittal No. 1357)

Issued: October 6, 2003

Effective: October 21, 2003

ACCESS SERVICE

7. Special Access Service (Cont'd)

7.4 Rate Regulations (Cont'd)

7.4.2 Types of Rates and Charges (Cont'd)

(C) Nonrecurring Charges\* (Cont'd)

(7) DS3 Service (Cont'd)

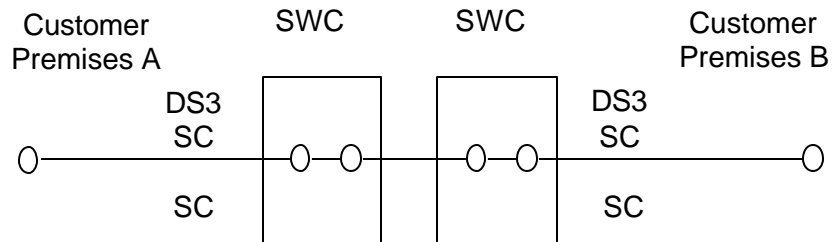
(T)

(a) DS3 Service Packages with an Optical Interface (Cont'd)

DS3 Service Package Installation (Cont'd)

(T)

The following illustration depicts the connection of 2 DS3 Service Channels with channel mileage and applicable nonrecurring charges associated with this point-to-point circuit.



Applicable nonrecurring charges are:

- 1 - Administrative Charges
- 1 - Design and Central Office Connection Charge
- 2 - Customer Connection Charges  
(1 per SC)

\* For Services ordered under MVP, refer to Section 19.3(E)(5).

(This page filed under Transmittal No. 1357 )

ACCESS SERVICE

7. Special Access Service (Cont'd)

7.4 Rate Regulations (Cont'd)

7.4.2 Types of Rates and Charges (Cont'd)

(C) Nonrecurring Charges\* (Cont'd)

(7) DS3 Service (Cont'd)

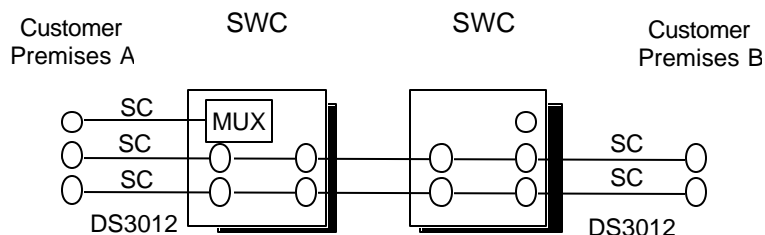
(T)

(a) DS3 Service Packages with an Optical Interface (Cont'd)

DS3 Service Package Installation (Cont'd)

(T)

The following illustration depicts the connections of 2 DS3 SCs within 2 DS3012 service packages and applicable nonrecurring charges associated with 2 point-to-point service channels and one channel connected to a multiplexer.



Applicable nonrecurring charges are:

- 2 - Administrative Charges (1 per request)
- 3 - Design and Central Office Connection Charges (1 per circuit)
- 5 - Customer Connection Charges (1 per SC)

\* For Services ordered under MVP, refer to Section 19.3(E)(5).

## ACCESS SERVICE

## 7. Special Access Service (Cont'd)

## 7.4 Rate Regulations (Cont'd)

## 7.4.2 Types of Rates and Charges (Cont'd)

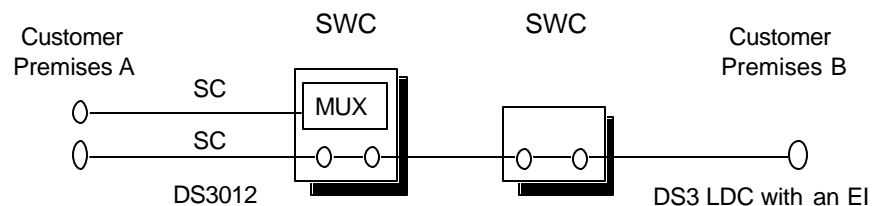
## (C) Nonrecurring Charges\* (Cont'd)

## (7) DS3 Service (Cont'd) (T)

## (a) DS3 Service Packages with an Optical Interface (Cont'd)

## DS3 Service Package Installation (Cont'd) (T)

The following illustration depicts the connections of a DS3 LDC with an Electrical Interface (EI) point-to-point to a Service Channel of a DS3012 Service Package. The DS3012 Service Package is configured with 1 point-to-point Service Channel and 1 multiplexed Service Channel. Applicable nonrecurring charges will apply as listed.



Applicable nonrecurring charges are:

2 - Administrative Charges (Per request, related orders)

2 - Design and Central Office Connection Charges (Per DS3 Circuit)

3 - Customer Connection Charges (1 each per SC and 1 per DS3 LDC with an EI)

\* For Services ordered under MVP, refer to Section 19.3(E)(5).

(This page filed under Transmittal No. 1357)

Issued: October 6, 2003

Effective: October 21, 2003

One SBC Plaza, Dallas, Texas 75202



ACCESS SERVICE

7. Special Access Service (Cont'd)

7.4 Rate Regulations (Cont'd)

7.4.2 Types of Rates and Charges (Cont'd)

(C) Nonrecurring Charges\* (Cont'd)

(7) DS3 Service (Cont'd)

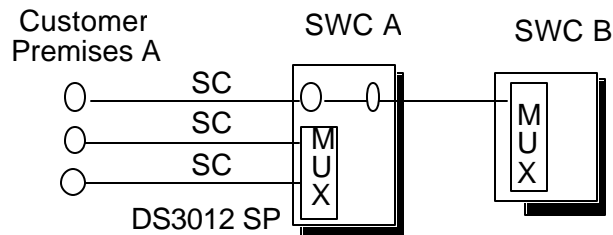
(T)

(a) DS3 Service Packages with an Optical Interface (Cont'd)

DS3 Service Package Installation (Cont'd)

(T)

The following illustration depicts the connection of 3 DS3 Service Channels within a DS3012 service package, 2 Service Channels are connected to multiplexing in SWC A, and 1 Service Channel is connected to Channel Mileage Termination and to subsequent multiplexing in SWC B, assuming that all Service Channels are ordered at the same time. Nonrecurring charges apply as listed.



Applicable nonrecurring charges are:

- 2 - Administrative Charges
- 3 - Design and Central Office Connection Charges (Per DS3 Circuit)
- 3 - Customer Connection Charges (Per SC)

\* For Services ordered under MVP, refer to Section 19.3(E)(5).

(This page filed under Transmittal No. 1357)

ACCESS SERVICE

7. Special Access Service (cont'd)

7.4 Rate Regulations (cont'd)

7.4.2 Types of Rates and Charges (cont'd)

(C) Nonrecurring Charges\* (cont'd)

(7) Ameritech DS3 Service (cont'd)

(T)

(a) DS3 Service Packages with an Optical Interface (cont'd)

Nonrecurring charges are not applicable to the DS3 Service Package element.

(b) DS3 Service Package with an Optical Interface Upgrades and Downgrades

Customers have the option to upgrade their DS3 Service package sizes as their needs change. Termination Liability charges will not apply for service package upgrades.

\* For Services ordered under MVP, refer to Section 19.3(E)(5).

(This page filed under Transmittal No. 1357)

Issued: October 6, 2003

Effective: October 21, 2003

## ACCESS SERVICE

## 7. Special Access Service (Cont'd)

## 7.4 Rate Regulations (Cont'd)

## 7.4.2 Types of Rates and Charges (Cont'd)

## (C) Nonrecurring Charges\* (Cont'd)

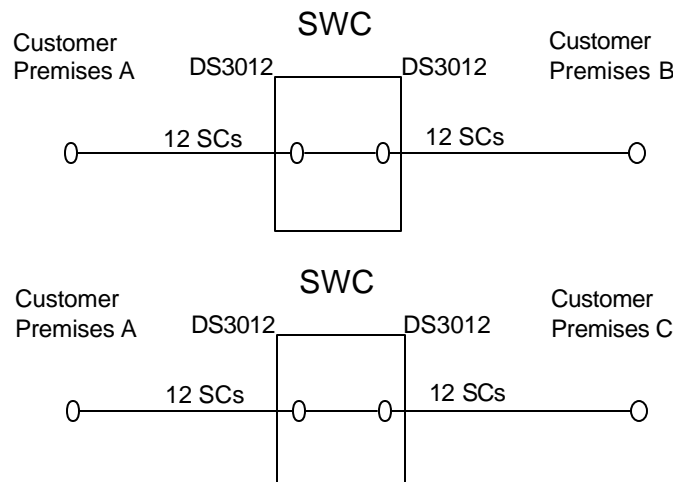
## (7) DS3 Service (Cont'd)

(T)

## (b) DS3 Service Package with an Optical Interface Upgrades and Downgrades (Cont'd)

The following illustration depicts two available options and applicable nonrecurring charges when a customer with existing DS3 Service Channels within a DS3012 package between Customer Premises A and B requires twelve new DS3 Service Channels within a DS3012 package between Customer Premises A and C.

In the first option, the customer retains the original DS3012 Package and adds a second DS3012 at Customer Premises A, and a new DS3012 at Customer Premises C. For clarity, assume existing DS3 packages are fully configured.



Applicable nonrecurring charges are:

- 1 - Administrative Charge
- 12 - Design and Central Office Connection Charges  
(one for each premises-to-premises DS3 Service Channel)
- 24 - Customer Connection Charges  
(one for each new DS3 Service Channel connected)

\* For Services ordered under MVP, refer to Section 19.3(E)(5).

(This page filed under Transmittal No. 1357)

Issued: October 6, 2003

Effective: October 21, 2003

## ACCESS SERVICE

## 7. Special Access Service (cont'd)

## 7.4 Rate Regulations (cont'd)

## 7.4.2 Types of Rates and Charges (cont'd)

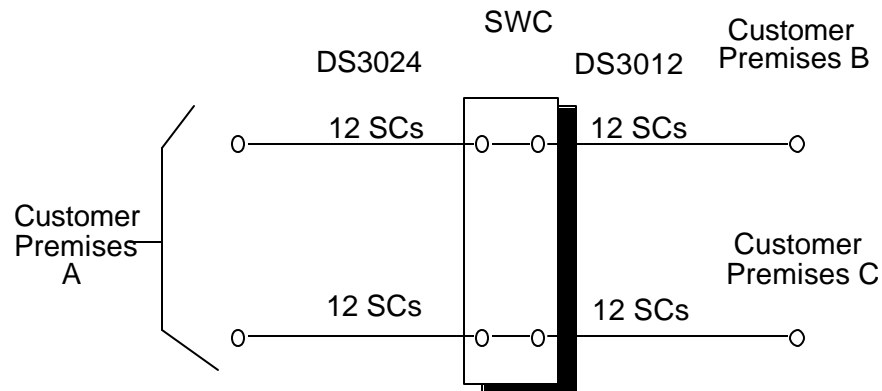
## (C) Nonrecurring Charges\* (cont'd)

## (7) DS3 Service (cont'd)

(T)

## (b) DS3 Service Package with an Optical Interface Upgrades and Downgrades (cont'd)

In the second option, the customer disconnects the existing DS012 Package at Customer Premises A and installs a DS3024 Package at Customer Premises A connecting the Service Channels within the existing DS3012 at Customer Premises B and installs a new DS3012 at Customer Premise C.



Applicable nonrecurring charges are:

- 1 - Administrative Charge
- 12 - Design and Central Office Connection Charges  
(one for each premises-to-premises SC installed)
- 24 - Customer Connection Charges  
(one for each newly installed SC)

Premises-to-premises testing would be done on services between Customer Premises A and C, but not on the services between Customer Premises A and B. If the customer requests premises-to-remises testing between A and B, twelve additional Customer Connection Charges would apply.

\* For Services ordered under MVP, refer to Section 19.3(E)(5).

(This page filed under Transmittal No. 1357)

Issued: October 6, 2003

Effective: October 21, 2003

## ACCESS SERVICE

## 7. Special Access Service (Cont'd)

## 7.4 Rate Regulations (Cont'd)

## 7.4.2 Types of Rates and Charges (Cont'd)

## (C) Nonrecurring Charges\* (Cont'd)

(7) DS3 Service (Cont'd) (T)

## (c) Limitations

All nonrecurring charges (Administrative, Design and C.O., and Customer Connection) for DS3 Service with an Optical Interface will be applied to the DS3 Service Channel (SC) rate element. (T)

Customers, in service as of August 4, 1992, who have already paid a Customer Connection Charge on a Service Channel which is not in service, will not pay an additional Customer Connection Charge when the Service Channel is placed in service.

(8) OC-3, OC-12 and OC-48 Dedicated Ring (T)

All nonrecurring charges for the initial installation of the Dedicated Ring will be included in the monthly rates, except for the actual ring design for which an Administrative Charge and Design and Central Office Connection Charge will be applied once for the entire ring (circuit).

\* For Services ordered under MVP, refer to Section 19.3(E)(5).

(This page filed under Transmittal No. 1357)

Issued: October 6, 2003

Effective: October 21, 2003

## ACCESS SERVICE

## 7. Special Access Service (Cont'd)

## 7.4 Rate Regulations (Cont'd)

## 7.4.3 Surcharge for Special Access Service

## (A) General

In addition to the rates and charges described in 7.4.2 preceding, there is a monthly surcharge that applies to Special Access Service. The Special Access Surcharge compensates the Telephone Company for use of the local exchange network when Special Access Service is connected to a PBX or equivalent device which is capable of interconnecting the Special Access Service with local exchange service.

The Telephone Company will automatically bill the surcharge on each Special Access Service installed irrespective of whether the interconnection capability exists in the customer's premises equipment or in a Centrex-CO type switch unless written certification is received from the customer certifying exemption status as set forth in (B) following.

Upon the effective date of the application of the Special Access Surcharge to Dedicated Access Lines, the Telephone Company will begin to bill the surcharge for Dedicated Access Lines ordered as of that date unless exemption certification has been received. Billing of the surcharge for Dedicated Access Lines in service or on order prior to the effective date for Dedicated Access lines will be deferred for a period of 90 days.

## (B) Special Access Surcharge Exemptions

The Special Access Service will be exempted from the surcharge if the customer provides the Telephone Company written certification that the Special Access Service termination is one of the following;

- (1) an open-end termination in a Telephone Company switch of an FX line, including CCSA and CCSA-equivalent ONALS; or
- (2) an analog Local Distribution Channel that is used for radio or television program transmission; or
- (3) a termination used for TELEX service; or
- (4) a termination that by the nature of its operating characteristics could not make use of Telephone Company common lines; or

(TR756)

Issued: November 30, 1993

Effective: December 31, 1993

Director, Federal Regulatory, 4F20  
2000 W. Ameritech Center Drive  
Hoffman Estates, Illinois 60196-1025

## ACCESS SERVICE

## 7. Special Access Service (Cont'd)

## 7.4 Rate Regulations (Cont'd)

## 7.4.3 Surcharge for Special Access Service (Cont'd)

T

**(B) Special Access Surcharge Exemptions (Cont'd)**

- (5) a termination that interconnects either directly or indirectly to the local exchange network where the usage is subject to Carrier Common Line charges such as, where the Special Access Service accesses only FGA and no local exchange lines, or Special Access Service between customer points of termination or Special Access Service connecting CCSA or CCSA-type equipment (inter-machine trunks); or
- (6) a termination that the customer certifies to the Telephone Company is not connected to a PBX or other device capable of interconnecting the special access facility to a local exchange subscriber line.
- (7) During the period commencing June 1, 1986 and ending December 31, 1986 the Special Access Surcharge shall not apply to Dedicated Access Lines associated with resold WATS and/or WATS-type service where such lines were in service on March 13, 1986.

**(C) Exemption Certification**

- (1) Special Access Services which are terminated as set forth in (B) preceding will be exempted from the Special Access Surcharge if the customer provides the Telephone Company with a written notification certifying exemption. Such notification shall be provided by the customer (1) at the time the Special Access Service is ordered or installed; (2) at such time as the Special Access Service is reterminated to a device not capable of interconnecting to the local exchange network, or (3) at such time as the Special Access Service becomes associated with a Switched Access Service that is subject to Carrier Common Line charges.
- (2) If written certification is not received at the time the Special Access Service is obtained, the surcharge will be applied. Exempt status will become effective on the certification date indicated by the customer, subject to the regulations in (D) following.

(TR756)

Issued: November 30, 1993

Effective: December 31, 1993

Director, Federal Regulatory, 4F20  
2000 W. Ameritech Center Drive  
Hoffman Estates, Illinois 60196-1025

ACCESS SERVICE

7. Special Access Service (Cont'd)

7.4 Rate Regulations (Cont'd)

7.4.3 Surcharge for Special Access Service (Cont'd)

(C) Exemption Certification (Cont'd)

- (3) The exemption certification is to be provided by the customer or authorized representative and include the category of exemption, as set forth in (B) preceding, for each termination, and the date which the exemption is effective.
- (4) The customer shall also notify the Telephone Company when an exempted Special Access Service is changed or reterminated such that the exemption is no longer applicable.

(D) Crediting the Surcharge

The Telephone Company will cease billing the Special Access Surcharge when certification that the Special Access Service has become exempt from the surcharge, as set forth in (B) preceding is received. If the status of the Special Access Service was changed prior to receipt for the exemption certification, the Telephone Company will credit the customer's account, not to exceed ninety (90) days, based on the effective date of the change specified by the customer in the letter of certification.

(E) Application of Rates

- (1) The monthly Special Access Surcharge applies to Special Access Services arranged, as set forth in (A) preceding, on a per voice grade equivalent basis as shown in the following example.

Special Access Service	Voice Grade Equivalent	Surcharge	Monthly Charge	
Direct Analog Service	1	x \$25.00	\$ 25.00	
Wideband Analog Group Level*	12	x 25.00	300.00	
DS1				
- 1.544 Mbps	24	x 25.00	600.00	
- 128.0 Kbps	2	x 25.00	50.00	
- 256.0 Kbps	4	x 25.00	100.00	
- 384.0 Kbps	6	x 25.00	150.00	
- 512.0 Kbps	8	x 25.00	200.00	(N)
- 768.0 Kbps	12	x 25.00	300.00	(N)
DS3	672	x 25.00	16,800.00	

\* Wideband Analog Service is limited to circuits in place as of August 11, 1988.

(This page filed under Transmittal No. 1390)



**ACCESS SERVICE**

**7. Special Access Service (cont'd)**

**7.4 Rate Regulations (cont'd)**

**7.4.3 Surcharge for Special Access Service (cont'd)**

(E) Application of Rates (cont'd)

- (2) In the case of multipoint Special Access Service, one Special Access Surcharge will apply for each termination at a customer designated premises except that no surcharge applies at the customer designated premises at which the Access Service is connected to Interstate Service.
- (3) The Telephone Company will bill the surcharge to the customer who orders the Special Access Service unless the Service is exempt as set forth in (B) preceding.

**7.4.4 Message Station Equipment Recovery Charge**

The Message Station Equipment Recovery Charge is a charge to recover that portion of message station equipment that is assigned to Special Access Service.

Pursuant to CC Docket 83-1145 Memorandum Opinion and Order adopted by the Federal Communications Commission on November 8, 1984, and released on November 9, 1984, this charge is assessed only to those customers to which the Special Access Surcharge applies. The rate for the Message Station Equipment Recovery Charge is set forth in 7.5.11 following.

M  
|  
M

Certain material formerly appeared on 12th Revised Page 304.

(TR1214)

Issued: September 30, 1999

Effective: October 15, 1999

Director, Federal Regulatory Planning & Policy, 4G47  
2000 W. Ameritech Center Drive  
Hoffman Estates, Illinois 60196-1025

## ACCESS SERVICE

## 7. Special Access Service (Cont'd)

## 7.4 Rate Regulations (Cont'd)

## 7.4.5 Minimum Periods

The minimum service period for all services is one month, except as follows:

- (A) The minimum service period for part-time and occasional Video and Program Audio services is one day (i.e., a continuous 24 hour period, not limited to a calendar day).
- (B) The minimum period for service provided on an Individual Case Basis (ICB) is as specified in the ICB filing.
- (C) The minimum service period for a DS3 LDC with an Electrical Interface and a DS3 Service Package with an Optical Interface is 12 months. After the minimum period is satisfied, the monthly extension rate will apply.
- (D) The minimum service period for Ameritech OC-3 and Ameritech OC-12 Services is 12 months. After the minimum period is satisfied, the monthly rate will apply unless an OPP is selected.
- (E) The minimum service period for Ameritech OC-3 Dedicated Ring and Ameritech OC-12 Dedicated Ring service is 36 months. After the minimum period is satisfied, the prevailing rates of the current plan will continue until the customer cancels or renews the service.
- (F) The minimum service period for Ameritech Multichannel Video Service, Ameritech Supertrunking Video Service, and Wideband Analog Video Service is 12 months. After the minimum period is satisfied, the prevailing rates of the OPP selected by the customer will apply, or the monthly rates will apply if the customer's OPP term has expired. The minimum service period requirement for Ameritech Multichannel Video Service provided for the 1996 Democratic National Convention is one month. (D)
- (G) The minimum service period for SONET Xpress is 12 months. After the minimum period is satisfied, the monthly extension rate will apply unless an OPP is selected.

(This page filed under Transmittal No. 1417)

**ACCESS SERVICE**

**7. Special Access Service (Cont'd)**

**7.4 Rate Regulations (Cont'd)**

**7.4.6 Moves**

A move involves a change in the physical location of one of the following:

- The Point of Termination at the customer's premises
- The customer's premises

The charges for the move are dependent on whether the move is to a new location within the same building or to a different building.

**(A) Moves Within the Same Building**

When the move is to a new location within the same building, the Administrative Charge and Customer Connection Charge for the service termination affected will apply. There will be no change in the minimum period requirements.

M  
|  
M

Certain material on this page previously appeared on 7th Revised Page 304.

(TR922)

Issued: October 16, 1995

Effective: November 30, 1995

Director, Federal Regulatory Planning & Policy, 4G62  
2000 W. Ameritech Center Drive  
Hoffman Estates, Illinois 60196-1025

## ACCESS SERVICE

## 7. Special Access Service (Cont'd)

## 7.4 Rate Regulations (Cont'd)

## 7.4.6 Moves (Cont'd) T

## (B) Moves To a Different Building

Moves to a different building will be treated as a discontinuance and start of service and all associated nonrecurring charges will apply. New minimum period requirements will be established for the new services. The customer will also remain responsible for satisfying all outstanding minimum period charges for the discontinued service.

## 7.4.7 Mileage Measurement T

The mileage to be used to determine the monthly rate for the Channel Mileage is calculated on the airline distance between the locations involved, i.e., the serving wire centers associated with two customer designated premises, the serving wire center associated with a customer designated premises and an international boundary point, a serving wire center associated with a customer designated premises and a Telephone Company Hub, a serving wire center associated with a customer designated premises and a WATS Serving Office. The serving wire center associated with a customer designated premises is the serving wire center from which the customer designated premises would normally obtain dial tone.

The Vertical and Horizontal (V&H) coordinates method is used to determine mileage. This method is set forth in the National Exchange Carrier Association Tariff F.C.C. No. 4. When the calculation results in a fraction of a mile, always round up to the next whole mile before applying the rate.

When Hubs are involved, mileage is computed and rates applied separately for each section of the Channel Mileage, i.e., customer designated premises serving wire center to Hub, Hub to Hub and/or Hub to customer designated premises serving wire center. However, when any service is routed through a Hub for purposes other than customer specified bridging or multiplexing (e.g., The Telephone Company chooses to so route for test access purposes), rates will be applied only to the distance calculated between the serving wire centers associated with the customer designated premises.

When the mileage measurement is to an international boundary point, one Channel Mileage Termination charge applies in addition to the per mile rate (Use USOC 1L5BX in lieu of 115xx).

(TR756)

Issued: November 30, 1993

Effective: December 31, 1993

Director, Federal Regulatory, 4F20  
2000 W. Ameritech Center Drive  
Hoffman Estates, Illinois 60196-1025

ACCESS SERVICE

7. Special Access Service (Cont'd)

7.4 Rate Regulations (Cont'd)

7.4.7 Mileage Measurement (Cont'd)

T

When a customer orders DAL service to connect originating WATS traffic to Feature Group D switched access service, and the serving wire center which serves the end user's premises is a WATS serving office but is not equipped for equal access (e.g., FGD and specialized WATS screening), the DAL will be provided to a WATS serving office which has equal access capabilities and the channel mileage charges will not apply. Upon notification that the nonconforming WATS serving office will be converted to an equal access end office, the customer may request that the DAL be moved. If the customer request is submitted within thirty days of the equal access conversion, with an effective date within ninety days of conversion, the nonrecurring charge will not apply. If the DAL service is not moved within the above interval the appropriate channel mileage charges will apply beginning on the ninety-first day after conversion.

In the event that a WATS serving office lacks sufficient capacity for the additional traffic carried by the DAL, the Telephone Company may extend the DAL to another WATS serving office which has sufficient capacity for the additional traffic and channel mileage charges not apply. If capacity becomes available later at the normal WATS serving office, the channel mileage charges will still not apply.

TR756)

Issued: November 30, 1993

Effective: December 31, 1993

Director, Federal Regulatory, 4F20  
2000 W. Ameritech Center Drive  
Hoffman Estates, Illinois 60196-1025

## ACCESS SERVICE

## 7. Special Access Service (Cont'd)

## 7.4 Rate Regulations (Cont'd)

## 7.4.8 Facility Hubs

T

A customer has the option of ordering direct analog, Ameritech DS1 or Ameritech DS3 facilities (i.e., Group,\* Supergroup, Mastergroup, Ameritech DS1 or Ameritech DS3) to a facility Hub for channelizing to individual services requiring lower capacity facilities (e.g., Telegraph, Voice, Program Audio, etc.).

Different locations may be designated as Hubs for different facility capacities, e.g., multiplexing from digital to digital may occur at one location while multiplexing from digital to analog may occur at a different location. Hub locations (Wire Centers) may be further designated as Intermediate and Terminus Hubs as set forth in 2.6 preceding. When ordering, the customer will specify the desired multiplexing Hub(s) selected from the Exchange Carrier Association Tariff F.C.C. No. 4. This tariff identifies the type(s) of multiplexing functions which are available and the serving wire centers where they are available.

Some of the types of multiplexing available include the following:

- from higher to lower bit rate
- from higher to lower bandwidth
- from digital to voice frequency channels

End to end services may be provided on channels of these facilities to a Hub. The transmission performance for the end to end service provided between customer designated premises will be that of the lower capacity or bit rate. For example, when a 1.544 Mbps facility is multiplexed to voice frequency channels, the transmission performance of the channelized services will be Direct Analog Service, not Ameritech DS1 Service.

\* Wideband Analog and Wideband Data are limited to circuits in place as of August 11, 1988.

(TR756)

---

**Issued: November 30, 1993****Effective: December 31, 1993**

ACCESS SERVICE

7. Special Access Service (Cont'd)

7.4 Rate Regulations (Cont'd)

7.4.8 Facility Hubs

T

The Telephone Company will commence billing the monthly rate for the facility to the Hub on the date specified by the customer on the Access Order. Individual services utilizing these facilities may be installed coincident with the installation of the facility to the Hub, or may be ordered and/or installed at a later date, at the option of the customer. The customer will be billed for a Direct Analog Service, Ameritech DS1 or Ameritech DS3 Local Distribution Channel, Channel Mileage Terminations and Channel Mileage (when applicable), and the multiplexer at the time the facility is installed. Individual service rates (by service type) will apply for a Local Distribution Channel and additional Channel Mileage Terminations and Channel Mileage (as required) for each channelized service. These will be billed to the customer as each individual service is installed.

(TR756)

Issued: November 30, 1993

Effective: December 31, 1993

Director, Federal Regulatory, 4F20  
2000 W. Ameritech Center Drive  
Hoffman Estates, Illinois 60196-1025

**ACCESS SERVICE****7. Special Access Service (Cont'd)****7.4 Rate Regulations (Cont'd)****7.4.8 Facility Hubs (Cont'd)**

T

Cascading multiplexing occurs when an analog, Ameritech DS1 or Ameritech DS3 channel is de-multiplexed to provide channels with a lesser capacity and one of the lesser capacity channels is further de-multiplexed. For example, a Supergroup facility is de-multiplexed to five Group facilities and then one of the Group facilities is further de-multiplexed to individual voice grade channels.

When cascading multiplexing is performed, whether in the same or a different Hub, a charge for the additional multiplexing unit also applies. When cascading multiplexing is performed at different Hubbing locations, Channel Mileage Termination and Channel Mileage charges also apply between the Hubs.

Although not requiring multiplexing, the Telephone Company will designate certain Hubs for Video and Program Audio Services. A customer can order full-time and/or part-time services(s) between customer designated premises and a Hub and will be billed accordingly at the rates set forth in 7.5.4 or 7.5.5 following for a full-time or part-time service, as appropriate. At the request of a customer, the full-time and/or part-time services provided to the Hub may be connected together in the following configurations; full-time to full-time, full-time to part-time or part-time to part-time. The customer will be charged for each such connection made at the rates for Other Labor as set forth in 13.2.6(C) following. The rates that apply for the service between each customer designated premises and the Hub are a Local Distribution Channel and Channel Mileage Terminations and Channel Mileage, if applicable. In addition, for Program Audio Services, rates for optional features and functions may be applicable.

(TR756)

---

Issued: November 30, 1993

Effective: December 31, 1993



## ACCESS SERVICE

## 7. Special Access Service (Cont'd)

## 7.4 Rate Regulations (Cont'd)

## 7.4.9 Shared Use

Shared use occurs when Special Access Service and Switched Access Service are provided over the same Wideband Analog\* or Ameritech DS1 or DS3 facilities or SONET based services through a common interface. The facility will be ordered, provided and rated as Special Access Service (e.g., Local Distribution Channel, DS3 Service Packages, DS3 Service Channels, Channel Mileage Terminations and Channel Mileage, as appropriate, and Multiplexing). The nonrecurring charge that applies when the Shared Use Facility is installed will be the nonrecurring charge associated with the installation of the appropriate Special Access Wideband Analog or DS1 or DS3 facility or SONET based service. Individual service (i.e., Switched or Special Access) nonrecurring charges will not apply to the individual channels of the Shared Use Facility. Rating as Special Access will continue until such time as the customer chooses to use a portion of the available capacity for providing Switched Access Direct Transport Service from the office where multiplexing occurs to either an end office or an access tandem. (T)

\* Wideband Analog Service is limited to circuits in place as of August 11, 1988.

(This page filed under Transmittal No. 1357)

Issued: October 6, 2003

Effective: October 21, 2003

**ACCESS SERVICE****7. Special Access Service (Cont'd)****7.4 Rate Regulations (Cont'd)****7.4.9 Shared Use (Cont'd)**

When a customer designates a channel for Direct Transport Service on a Wideband Analog\* or DS1 or DS3 Shared Use Facility, as each individual Direct Transport Service (i.e., LT-1 Direct Transport) is activated the Special Access Local Distribution Channel, Channel Mileage Termination, Channel Mileage, Service Package, Service Channel and Multiplexing rates will be reduced accordingly (i.e., 1/28th for an DS3 Service). While Shared Use of SONET facilities <sup>(1)</sup> for Switched Access Direct Transport is permitted, the SONET Special Access facilities continue to be rated as Special Access. The customer must place an order for each individual Direct Transport Service or Special Access Service utilizing the Shared Use Facilities and specify the channel assignment for each such service. (D)

Switched Access Service rates and charges as set forth in 6.9 preceding will apply for each channel of the Shared Use Facility that is used to provide Switched Access Service, except for those nonrecurring charges waived under The Switched Optimization Plan as set forth in Section 6.8.2(C)(4).

Direct Transport rates and charges as set forth in 6.9.6 preceding, will apply for each Direct Transport service activated on the Shared Use Facility. Direct Transport Channel Mileage will be measured between the office where multiplexing occurs and the end office or access tandem.

Where Special Access Service is provided utilizing a channel of the Shared Use Facility to the Hub, Wideband Analog, DS1 or DS3 rates and charges will apply for the facility to the Hub as set forth preceding and individual service rates and charges will apply from the Hub to the customer designated premises. The rates and charges that will apply to the portion from the Hub to the customer designated premises will be dependent on the specific type of Special Access Service that is provided (e.g., Direct Analog, Telegraph, etc.). The applicable rates and charges will include a Local Distribution Channel and two Channel Mileage Terminations and Channel Mileage, if applicable. Rates and charges for optional features and functions associated with the service, if any, will apply as set forth in 7.5 following.

\* Wideband Analog Service is limited to circuits in place as of August 11, 1988.

<sup>(1)</sup> Material in this Section has been de-tariffed as required by the Commission upon use of the forbearance relief pursuant to FCC Memorandum Opinion and Order No. 07-180, released October 12, 2007. Terms and Conditions associated with de-tariffed services are available at [www.att.com/guidebook](http://www.att.com/guidebook).

(This page filed under Transmittal No. 1666)

## ACCESS SERVICE

## 7. Special Access Service (cont'd)

## 7.4 Rate Regulations (cont'd)

- 7.4.10 Optional Payment Plan (OPP) for Base Rate, DS1, DS3,<sup>(2)</sup>, TV Analog Video Services, Digital Video Service, Supertrunking Video Services, Multichannel Video Service, SONET Xpress Service and Wideband Analog Video Service<sup>(2)</sup>. (D)

## (A) General

The Optional Payment Plan is a provision that allows a customer to select Base Rate, DS1, DS3, TV Analog Video Service, Digital Video Service, Multichannel Video Service (AMVS),<sup>(2)</sup> (excluded DS1 - 128.0, 256.0, 384.0, 512.0 and 768.0 Kbps transport) and SONET Xpress, over a 12, 24, 36, 48 or 60 month payment period. Wideband Analog Video Service (WAVS) is available with 12, 36 and 60 month payment periods; and Supertrunking Video Service (ASVS) is available with 12, 36, 60 and 84 month payment periods. Monthly rates for services installed under this Payment Plan will change as Telephone Company initiated rate changes become effective but during the OPP term will not exceed the monthly rate in effect at the beginning of the customer's OPP term.\* (D)

During the term of the selected OPP, Telephone Company initiated rate changes (increases or decreases) will automatically be applied to the monthly payments for the remaining months of the current OPP term. But in no case will any rate change cause the monthly rate during the OPP term to exceed that in effect at the beginning of the customer's OPP term.

Supertrunking Video Service, Multichannel Video Service, TV Analog Video Service, Digital Video Service and Wideband Analog Video Service<sup>(2)</sup>, rates and charges for which the OPP is available are listed in 7.5.5 following. Base Rate, DS1, and DS3 Service rates and charges for which the OPP is available are listed in 7.5.9<sup>(2)</sup> and SONET Xpress Service rates and charges for which OPP is available are listed in 7.5.12 following. (D)

Customers subscribing to the OPP will be subject to nonrecurring charges<sup>(1)</sup> as specified in 7.5.13 for installation and rearrangements of service covered by the plan. The nonrecurring charges will not be spread over the OPP term. If the customer subscribes to the OPP on an existing service with no other changes, no nonrecurring charges will apply.

\* For DS3 customers under an OPP as of August 4, 1992, the sum of the rates for the Service Package and Service Channels will not exceed, for the remainder of the OPP term, the rate in effect at the beginning of the customer's OPP Term.

<sup>(1)</sup> For Services ordered under MVP, refer to Section 19.3(E)(5).

<sup>(2)</sup> Material in this Section has been de-tariffed as required by the Commission upon use of the forbearance relief pursuant to FCC Memorandum Opinion and Order No. 07-180, released October 12, 2007. Terms and Conditions associated with de-tariffed services are available at [www.att.com/guidebook](http://www.att.com/guidebook).

(This page filed under Transmittal No. 1666)

## ACCESS SERVICE

## 7. Special Access Service (Cont'd)

## 7.4 Rate Regulations (Cont'd)

- 7.4.10 Optional Payment Plan (OPP) for Base Rate, DS1, DS3, <sup>(1)</sup>, TV Analog Video Services, Digital Video Service, Supertrunking Video Services, Multichannel Video Service, SONET Express Services and Wideband Analog Video Service <sup>(1)</sup> (Cont'd) (D)

## (A) General (Cont'd)

At the expiration of the OPP term and if the customer wishes to continue Base Rate, DS1, DS3, TV Analog Video Service, Digital Video Service, ASVS, AMVS, WAVS <sup>(1)</sup> or SONET Xpress Service, the customer may select a new OPP at the prevailing OPP rate. If a customer does not wish to renew the OPP at the expiration of the term, the customer's service will automatically convert to month-to-month or DS3, <sup>(1)</sup> or SONET Xpress Monthly Extension rates. (D)

## (B) Prepayment of an OPP

A customer may, at any time during an OPP term, elect to prepay the remaining monthly charges for the rest of the term. The prepayment amount will be adjusted for the time value of money. Recurring charges will cease for the rest of the term and start up again at the end of the OPP if service has not been disconnected. If prepayment has been elected and the service is discontinued prior to the end of the OPP term, a credit for the unused portion of the OPP term, adjusted for the time value of money, will be given to the customer. Termination charges will still be applicable. Once a customer selects the prepayment option, the prepaid amount is not adjusted for company initiated rate changes that occur during the period for which the customer has prepaid. (D)

## (C) OPP Termination Liabilities

Customers requesting termination of service prior to the expiration date of the OPP term will be liable for a termination charge. The termination charge for all OPP terms, except for Base Rate OPP terms subscribed to after October 8, 1997, DS1 and DS3 OPP terms subscribed to after February 20, 1997 and DS3 Service Packages with an Optical Interface (see 7.4.10 C(i)), will be calculated as follows:

The dollar difference between the current OPP rate for the OPP term that could have been completed during the time the service was actually in service, or the monthly rate for services in place less than 12 months, and the customer's current OPP rate for each month the service was provided.

<sup>(1)</sup> Material in this Section has been de-tariffed as required by the Commission upon use of the forbearance relief pursuant to FCC Memorandum Opinion and Order No. 07-180, released October 12, 2007. Terms and Conditions associated with de-tariffed services are available at [www.att.com/guidebook](http://www.att.com/guidebook).

(This page filed under Transmittal No. 1666)

## ACCESS SERVICE

## 7. Special Access Service (Cont'd)

## 7.4 Rate Regulations (Cont'd)

- 7.4.10 Optional Payment Plan (OPP) for Base Rate, DS1, DS3, <sup>(1)</sup>, TV Analog Video Services, Digital Video Service, Supertrunking Video Services, Multichannel Video Service, SONET Express Services and Wideband Analog Video Service <sup>(1)</sup> (Cont'd) (D)

## C. OPP Termination Liabilities (Cont'd)

For example, a customer subscribed to a 60 month OPP term and disconnected service during the 37th month. This customer's termination charge would be:

$$[36 \text{ month OPP Rate} - 60 \text{ month OPP rate}] \times 37 = \text{Termination Charge.}$$

The 36 month OPP term could have been completed during the months the service was actually in service.

All recurring rate termination charges will be based on the recurring OPP rates in effect at the time of termination.

Termination Liability charges for all OPP terms including DS3 Service that have been initiated prior to August 29, 1992 may, at the customer's request, be charged as described above or pay a percentage of the monthly charges for the remainder of the term as indicated below:

OPP Terms in Months	Termination Percentage
12	85
36	75
60	60

<sup>(1)</sup> Material in this Section has been de-tariffed as required by the Commission upon use of the forbearance relief pursuant to FCC Memorandum Opinion and Order No. 07-180, released October 12, 2007. Terms and Conditions associated with de-tariffed services are available at [www.att.com/guidebook](http://www.att.com/guidebook).

(This page filed under Transmittal No. 1666)

## ACCESS SERVICE

## 7. Special Access Service (cont'd)

## 7.4 Rate Regulations (cont'd)

- 7.4.10 Optional Payment Plan (OPP) for Base Rate, DS1, DS3,<sup>(1)</sup> TV Analog Video Services, Digital Video Service, Supertrunking Video Services, Multichannel Video Service, SONET Express Services and Wideband Analog Video Service<sup>(1)</sup> (cont'd) (D)

## (C) OPP Termination Liabilities (cont'd)

- (i) Except for DS1 and DS3 OPP terms subscribed to under the OPP Renewal Program as described in 17.2(6) following, the termination charges for Base Rate OPP terms subscribed to after October 8, 1997, DS1 and DS3 OPP terms subscribed to after February 20, 1997, and DS3 Service Packages, discontinued prior to the expiration of the selected OPP term will be calculated as follows:

## (a) Service discontinued in 1st through 11th month:

## (1) DS3 Service Packages with an Optical Interface

$(.85 \times 12 \text{ Mo. OPP rate} \times [12 - \text{number of Months in service}]) + ([12 \text{ Mo. OPP rate} - \text{subscribed to OPP rate}] \times \text{number of Months in service})$

For example: A customer subscribed to a 36 month OPP term and disconnected service at the end of the fifth month. This customer's termination charge would be:

$(.85 \times 12 \text{ Mo. OPP rate} \times [12 - 5 \text{ Mos}]) + ([12 \text{ Mo. OPP rate} - 36 \text{ Mo OPP rate}] \times 5 \text{ Mos})$

## (2) Base Rate, DS1 and DS3 rate elements other than Service Packages

$(.40 \times 12 \text{ Mo. OPP rate} \times [12 - \text{number of Months in service}]) + ([12 \text{ Mo. OPP rate} - \text{subscribed to OPP rate}] \times \text{number of Months in service})$

For example: A customer subscribed to a 36 month OPP term and disconnected service at the end of the fifth month. This customer's termination charge would be:

$(.40 \times 12 \text{ Mo. OPP rate} \times [12 - 5 \text{ Mos}]) + ([12 \text{ Mo. OPP rate} - 36 \text{ Mo OPP rate}] \times 5 \text{ Mos})$

<sup>(1)</sup> Material in this Section has been de-tariffed as required by the Commission upon use of the forbearance relief pursuant to FCC Memorandum Opinion and Order No. 07-180, released October 12, 2007. Terms and Conditions associated with de-tariffed services are available at [www.att.com/guidebook](http://www.att.com/guidebook).

(This page filed under Transmittal No. 1666)

## ACCESS SERVICE

## 7. Special Access Service (cont'd)

## 7.4 Rate Regulations (cont'd)

- 7.4.10 Optional Payment Plan (OPP) for Base Rate, DS1, DS3, <sup>(1)</sup>, TV Analog Video Services, Digital Video Service, Supertrunking Video Services, Multichannel Video Service, SONET Express Services and Wideband Analog Video Service <sup>(1)</sup> (cont'd) (D)

## (C) OPP Termination Liabilities (cont'd)

## (b) Service discontinued in 12th through 60th month:

The dollar difference between the current OPP rate for the OPP term that could have been completed during the time the service was actually in service, and the customer's current OPP rate for each month the service was provided.

Termination liability for services provided under the Volume Pricing Plan (VPP) for DS3 LDCs with an Electrical Interface as described in 7.4.10 I following, will be calculated prior to the application of any volume discounts associated with the plan.

Except as provided in 7.4.10 D following, any customer terminating a DS1 service that was installed after February 20, 1997, or a DS3 service that was installed after June 10, 1998, before the expiration of the term under which it was installed shall also be liable for a nonrecurring termination charge. The nonrecurring termination charge will be the dollar difference between the nonrecurring charge for an OPP term that could have been completed during the time the service was actually in service, or the nonrecurring charge associated with the minimum service period for services in place less than 12 months, and the nonrecurring charge the customer actually paid.

## (D) Conversion of service to New OPP, Higher Speed, or SONET Xpress Service

During a customer's OPP term, conversion may be made to a new OPP term of the same or different length or to a higher speed service or to the same or higher speed SONET Xpress service. If the expiration date for the new service or OPP term is beyond the end of the original OPP term, the remaining OPP charges and any nonrecurring termination charges for the original term will not apply. If no physical changes are made to the service, the Administrative Charge, the Design and Central Office Connection Charge and the Customer Connection Charge will not apply.

<sup>(1)</sup> Material in this Section has been de-tariffed as required by the Commission upon use of the forbearance relief pursuant to FCC Memorandum Opinion and Order No. 07-180, released October 12, 2007. Terms and Conditions associated with de-tariffed services are available at [www.att.com/guidebook](http://www.att.com/guidebook).

(This page filed under Transmittal No. 1666)

## ACCESS SERVICE

## 7. Special Access Service (cont'd)

## 7.4 Rate Regulations (cont'd)

- 7.4.10 Optional Payment Plan (OPP) for Base Rate, DS1, DS3, <sup>(1)</sup>, TV Analog Video Services, Digital Video Service, Supertrunking Video Services, Multichannel Video Service, SONET Express Services and Wideband Analog Video Service <sup>(1)</sup> (cont'd) (D)

## (E) Moves

## (i) DS1 Service and Base Rate Service

During an OPP term a customer may move one Local Distribution Channel (LDC) of an DS1 or Base Rate service to another location in the same LATA and keep the OPP in force, provided no lapse in service occurs. Nonrecurring charges for the move will be based on the customer's existing OPP term.

During an OPP term, a customer may purchase a Local Channel Diversity Arrangement or an Interwire Center Diversity Arrangement (described in Section 11.1.1) and move an in-service DS1 or Base Rate Service to one of these arrangements while keeping the OPP in force, provided the customer's premises and serving wire center remain the same and no lapse in service occurs.

<sup>(1)</sup> Material in this Section has been de-tariffed as required by the Commission upon use of the forbearance relief pursuant to FCC Memorandum Opinion and Order No. 07-180, released October 12, 2007. Terms and Conditions associated with de-tariffed services are available at [www.att.com/guidebook](http://www.att.com/guidebook).

(This page filed under Transmittal No. 1666)



## ACCESS SERVICE

## 7. Special Access Service (cont'd)

## 7.4 Rate Regulations (cont'd)

7.4.10 Optional Payment Plan (OPP) for Base Rate, DS1, DS3, <sup>(1)</sup>, TV Analog Video Services, Digital Video Service, Supertrunking Video Services, Multichannel Video Service, SONET Express Services and Wideband Analog Video Service <sup>(1)</sup> (cont'd) (D)

## (E) Moves (cont'd)

## (ii) DS3 Service

During an OPP term a customer may move one Local Distribution Channel (LDC) of an DS3 Service to another location within the same LATA without incurring termination charges, as described in G following, provided the following conditions are met:

- The DS3 Service has satisfied the twelve month minimum service period requirement at the old location,
- for DS3 Service Channels with an Optical Interface, the number of DS3 Service Channels with an Optical Interface at the new location must be the same or greater than the number of DS3 Service Channels with an Optical Interface being discontinued at the old location,
- the customer subscribes to a new OPP term at the new location that is equal to, or greater than the remaining period of the OPP term being discontinued at the old location and,
- no lapse in service occurs.

A new twelve month minimum service period requirement will apply to the DS3 Service at the new location. The monthly rates for the new service will be those rates in effect at the time the new service is installed.

<sup>(1)</sup> Material in this Section has been de-tariffed as required by the Commission upon use of the forbearance relief pursuant to FCC Memorandum Opinion and Order No. 07-180, released October 12, 2007. Terms and Conditions associated with de-tariffed services are available at [www.att.com/guidebook](http://www.att.com/guidebook).

(This page filed under Transmittal No. 1666)

## ACCESS SERVICE

## 7. Special Access Service (cont'd)

## 7.4 Rate Regulations (cont'd)

- 7.4.10 Optional Payment Plan (OPP) for Base Rate, DS1, DS3, <sup>(1)</sup>, TV Analog Video Services, Digital Video Service, Supertrunking Video Services, Multichannel Video Service, SONET Express Services and Wideband Analog Video Service <sup>(1)</sup> (cont'd) (D)

## (F) NRS

During a customer's OPP term, a customer may elect to include an DS3, DS1 or an Base Rate service into the customer's Network Reconfiguration Service (ANRS) database. The customer may opt to convert to a new OPP term of the same or different length or to continue the current OPP term to the original expiration date. If the expiration date for the new OPP term is beyond the end of the original OPP term, termination charges for the original term will not apply. Adding an existing service to the customer's ANRS database requires that all nonrecurring charges applicable to the installation of the service apply.

## (G) DS3 Service Package with an Optical Interface Upgrade

During a customer's OPP term, conversion may be made from one DS3 Service Package with an Optical Interface to another larger package (e.g., DS3012 to DS3024) for a new OPP term of the same or different length. If the expiration date of the new OPP term is beyond the end of the original OPP term, termination charges will not apply to the original OPP term.

Monthly Extension rates for DS3 Service will apply only after a customer has completed an OPP term or an ICB minimum period.

## (H) Moving Services from an OPP Term to a DCP Term

Customers may terminate Optional Payment Plans for Base Rate and DS1 services in states where they have effective Discount Commitment Program terms for those services. Upon termination of these Optional Payment Plans, the services will begin being billed DCP (as described in 7.4.13 following) rates subject to the DCP terms and conditions. No termination liability charges will be applied to services that move from an OPP term to a DCP term.

<sup>(1)</sup> Material in this Section has been de-tariffed as required by the Commission upon use of the forbearance relief pursuant to FCC Memorandum Opinion and Order No. 07-180, released October 12, 2007. Terms and Conditions associated with de-tariffed services are available at [www.att.com/guidebook](http://www.att.com/guidebook).

(This page filed under Transmittal No. 1666)

## ACCESS SERVICE

## 7. Special Access Service (Cont'd)

## 7.4 Rate Regulations (Cont'd)

- 7.4.10 Optional Payment Plan (OPP) for Base Rate, DS1, DS3, <sup>(1)</sup>, TV Analog Video Services, Digital Video Service, Supertrunking Video Services, Multichannel Video Service, SONET Express Services and Wideband Analog Video Service <sup>(1)</sup> (Cont'd) (D)

- (l) Volume Pricing Plan for DS3 Local Distribution Channels with an Electrical Interface (D)

## (1) General

The Volume Pricing Plan (VPP) will be grandfathered as of January 11, 2002. Customers with OPPs on order or in effect prior to Jan 11, 2002, will continue to receive the VPP until the expiration of their OPP term. The VPP will not be available with OPPs that are ordered on or after January 11, 2002.

The Volume Pricing Plan (VPP) for DS3 Local Distribution Channels (LDCs) with an Electrical Interface (EI) provides rate discounts to customers based on the number of DS3 LDCs with an EI provided to the customer's designated premises and the Optional Payment Plan term selected by the customer.

The following volume discounts, shown in terms of percentage discounts, will be applied to DS3 LDC rates as specified in 7.5.9 (C) (1) (a) following. The volume discount will be based on the OPP term selected by the customer and the number of DS3 LDCs with an Electrical Interface provided to the same customer designated premises and will be provided as a credit on the customers monthly bill.

Volume Discount Band	DS3 LDC Quantity	Volume Discount Percentage Optional Payment Plan Term		
		12 and 24 Month	36 and 48 Month	60 Month
A	2	19.5%	2.4%	2.3%
B	3 to 5	23.6%	5.8%	5.5%
C	6 to 11	30.6%	8.5%	12.6%
D	12 to 23	41.8%	25.2%	25.2%
E	24 or more	52.4%	38.0%	33.8%

<sup>(1)</sup> Material in this Section has been de-tariffed as required by the Commission upon use of the forbearance relief pursuant to FCC Memorandum Opinion and Order No. 07-180, released October 12, 2007. Terms and Conditions associated with de-tariffed services are available at [www.att.com/guidebook](http://www.att.com/guidebook).

(This page filed under Transmittal No. 1666)

## ACCESS SERVICE

## 7. Special Access Service (Cont'd)

## 7.4 Rate Regulations (Cont'd)

7.4.10 Optional Payment Plan (OPP) for Base Rate, DS1, DS3,<sup>(1)</sup> TV Analog Video Services, Digital Video Service, Supertrunking Video Services, Multichannel Video Service, SONET Express Services and Wideband Analog Video Service<sup>(1)</sup> (Cont'd) (D)

(l) Volume Pricing Plan for DS3 Local Distribution Channels with an Electrical Interface (Cont'd) (D)

## (1) General (Cont'd)

At the end of each monthly billing period, billing for DS3 LDCs with an EI that are provided under an OPP term will be adjusted via a billing credit. The monthly credit will be developed by determining the number of DS3 LDCs with an EI provided to the customer's designated premises, along with their associated OPP payment term, in service at the end of the monthly billing period. The preceding discount percentages will be applied to all of the customer's DS3 LDCs with a EI that are provided under the same OPP term, and billed to the same customer billing account and will be provided as a credit to the customer's monthly DS3 billing.

## (2) Regulations

All of the customers in service DS3 LDCs with an EI provided under an OPP term, (both interstate access and intrastate access), along with all of the customer's LT-3 Entrance Facilities with an EI provided under an OPP term, as described in Section 6.8.2(D)(6)(g) preceding, will be used to determine the Volume Discount Band applicable for that monthly billing period.

When a customer has DS3 LDCs with an EI provided under different OPP payment terms, each OPP payment term will be administered separately and a Volume Discount Band will be determined for each OPP term based on the customers in service quantities for that term.

When there is more than one DS3 Local Distribution Channel termination location at the customer designated premises, each location will be administered separately and a Volume Discount Band(s) will be determined based on the DS3 Local Distribution Channel OPP term(s) at that location.

When the customer has elected the Prepayment of an OPP option as described in 7.4.10 B preceding, prepaid DS3 LDCs with an EI will be included in the monthly count of DS3 LDCs with an EI in order to determine the Volume Discount Band applicable for that monthly billing period, however, only non-prepaid DS3 LDCs with an EI will be discounted under the VPP.

<sup>(1)</sup> Material in this Section has been de-tariffed as required by the Commission upon use of the forbearance relief pursuant to FCC Memorandum Opinion and Order No. 07-180, released October 12, 2007. Terms and Conditions associated with de-tariffed services are available at [www.att.com/guidebook](http://www.att.com/guidebook).

(This page filed under Transmittal No. 1666)

## ACCESS SERVICE

## 7. Special Access Service (Cont'd)

## 7.4 Rate Regulations (Cont'd)

7.4.10 Optional Payment Plan (OPP) for Base Rate, DS1, DS3, <sup>(1)</sup>, TV Analog Video Services, Digital Video Service, Supertrunking Video Services, Multichannel Video Service, SONET Express Services and Wideband Analog Video Service <sup>(1)</sup> (Cont'd) (D)

(l) Volume Pricing Plan for DS3 Local Distribution Channels with an Electrical Interface (Cont'd) (D)

(3) Conversion of DS3 Service Package and Service Channels in service prior to October 15, 1999

Except for DS3 Service Packages with an EI provided under OPP Vintage Rates as specified in 7.5.16 following, all DS3 Service Packages and Service Channels with an EI in service as of October 15, 1999, will be converted to individual DS3 LDCs with an EI. DS3 LDCs with an EI that are converted from a DS3 Service Package will be converted to the same OPP payment term, and retain the same expiration date as the Service Package. All terms and conditions described above related to the VPP will apply to converted DS3 LDCs.

(i) Conversion Credit for Converted DS3 LDCs

When a converted DS3 LDC rate under the VPP is higher than its equivalent rate under the discontinued Service Package structure, the customer will be given a one time credit, as shown following, based on the difference between what the customer would have paid under the Service Package structure and what the customer will pay under the VPP. The credit will be equal to the difference between the monthly rate for the Service Package, with activated DS3s, and the VPP rate for the same number of DS3s, times the number of months remaining in the customer's OPP term.

For example: assume that 10 converted DS3s were part of a former DS3L Service Package with 10 DS3s activated and the Service Package was located in a rate zone 3 wire center under a 60 month OPP term with six months remaining on the OPP term. The DS3 Conversion Credit will be calculated as follows:

$\$415.42$  (DS3 conversion credit for a rate zone 3 DS3L Service Package with 10 activated DS3s provided under a 60 month OPP term) X 6 (months remaining on the OPP term) =  $\$2,492.52$  (Conversion Credit)

<sup>(1)</sup> Material in this Section has been de-tariffed as required by the Commission upon use of the forbearance relief pursuant to FCC Memorandum Opinion and Order No. 07-180, released October 12, 2007. Terms and Conditions associated with de-tariffed services are available at [www.att.com/guidebook](http://www.att.com/guidebook).

(This page filed under Transmittal No. 1666)

## ACCESS SERVICE

## 7. Special Access Service (Cont'd)

## 7.4 Rate Regulations (Cont'd)

7.4.10 Optional Payment Plan (OPP) for Base Rate, DS1, DS3, <sup>(1)</sup>, TV Analog Video Services, Digital Video Service, Supertrunking Video Services, Multichannel Video Service, SONET Express Services and Wideband Analog Video Service <sup>(1)</sup> (Cont'd) (D)

(l) Volume Pricing Plan for DS3 Local Distribution Channels with an Electrical Interface (Cont'd)

(3) Conversion of DS3 Service Package and Service Channels in service prior to October 15, 1999 (Cont'd)

Any customer terminating a DS3 LDC that was provided a DS3 Conversion Credit before the expiration of the OPP term under which it was converted shall be liable for a Conversion Credit termination charge. The Conversion Credit termination charge for each DS3 LDC terminated shall be equal to the monthly DS3 Conversion Credit originally provided to the customer, divided by the number of activated DS3s in the original Service Package times the number of months remaining in the customer's OPP term.

For example: Assume that 1 DS3 Local Distribution Channel, which is part of a former DS3L Service Package with 10 activated DS3s located in a rate zone 3 wire center under a 60 month OPP term, is discontinued 3 months before the expiration of its OPP term. The Conversion Credit termination charge will be calculated as follows:

$\$415.42$  (monthly conversion credit for a DS3L Service Package with 10 activated DS3s in a rate zone 3 wire center under a 60 month OPP term) / 10 (number of converted DS3s) =  $\$41.54$  (Conversion Credit for 1 DS3) x 3 (number of months remaining in the customer's 60 month OPP term) =  $\$124.62$  (Conversion Credit termination charge).

The following one time DS3 Conversion Credit amounts, times the number of months remaining in the OPP term, apply to converted DS3 LDCs:

<sup>(1)</sup> Material in this Section has been de-tariffed as required by the Commission upon use of the forbearance relief pursuant to FCC Memorandum Opinion and Order No. 07-180, released October 12, 2007. Terms and Conditions associated with de-tariffed services are available at [www.att.com/guidebook](http://www.att.com/guidebook).

(This page filed under Transmittal No. 1666)

## ACCESS SERVICE

## 7. Special Access Service (Cont'd)

## 7.4 Rate Regulations (Cont'd)

7.4.10 Optional Payment Plan (OPP) for Base Rate, DS1, DS3, <sup>(1)</sup>, TV Analog Video Services, Digital Video Service, Supertrunking Video Services, Multichannel Video Service, SONET Express Services and Wideband Analog Video Service <sup>(1)</sup> (Cont'd) (D)

(l) Volume Pricing Plan for DS3 Local Distribution Channels with an Electrical Interface (Cont'd)

(3) Conversion of DS3 Service Package and Service Channels in service prior to October 15, 1999 (Cont'd)

(i) Conversion Credit for Converted DS3 LDCs

DS3 Service Package - 12 Month OPP	Conversion Credit		
	Zone 1	Zone 2	Zone 3
-DS3B Activated DS3s - 2	-	-	\$ 46.06
-DS3C Activated DS3s - 3	-	-	74.06
-DS3F Activated DS3s - 6	-	\$ 1.90	160.02
-DS3L Activated DS3s - 10	\$ 541.80	675.66	1,016.70
- 11	1,855.98	2,037.73	2,548.37
- 12	-	-	310.12
-DS3X Activated DS3s - 18	-	-	435.18
- 19	813.26	1,051.26	1,652.69
- 20	1,850.80	2,128.96	2,870.20
- 21	2,888.34	3,206.66	4,087.71
- 22	3,925.88	4,284.36	5,305.22
- 23	4,963.42	5,362.05	6,522.73
- 24	-	-	604.32

<sup>(1)</sup> Material in this Section has been de-tariffed as required by the Commission upon use of the forbearance relief pursuant to FCC Memorandum Opinion and Order No. 07-180, released October 12, 2007. Terms and Conditions associated with de-tariffed services are available at [www.att.com/guidebook](http://www.att.com/guidebook).

(This page filed under Transmittal No. 1666)

## ACCESS SERVICE

## 7. Special Access Service (Cont'd)

## 7.4 Rate Regulations (Cont'd)

7.4.10 Optional Payment Plan (OPP) for Base Rate, DS1, DS3, <sup>(1)</sup>, TV Analog Video Services, Digital Video Service, Supertrunking Video Services, Multichannel Video Service, SONET Express Services and Wideband Analog Video Service <sup>(1)</sup> (Cont'd) (D)

(l) Volume Pricing Plan for Ameritech DS3 Local Distribution Channels with an Electrical Interface (Cont'd)

(3) Conversion of DS3 Service Package and Service Channels in service prior to October 15, 1999 (Cont'd)

(i) Conversion Credit for Converted DS3 LDCs (Cont'd)

DS3 Service Package - 24 Month OPP	Zone 1	Conversion Credit Zone 2	Zone 3
-DS3B Activated DS3s			
- 2	\$ 247.60	\$ 259.98	\$ 285.70
-DS3C Activated DS3s			
- 3	429.72	451.66	497.04
-DS3F Activated DS3s			
- 5	297.20	319.76	363.40
- 6	640.24	682.75	763.68
-DS3L Activated DS3s			
- 8	-	23.34	63.24
- 9	1,093.36	1,162.63	1,293.02
- 10	2,192.40	2,301.92	2,522.80
- 11	3,291.44	3,441.21	3,752.58
- 12	1,487.44	1,599.51	1,797.08
-DS3X Activated DS3s			
- 16	325.92	420.02	554.44
- 17	1,183.04	1,310.89	1,518.78
- 18	2,040.16	2,291.77	2,483.12
- 19	2,897.28	3,092.64	3,447.46
- 20	3,754.40	3,983.52	4,411.80
- 21	4,611.52	4,874.40	5,376.14
- 22	5,468.64	5,765.27	6,340.48
- 23	6,325.76	6,656.15	7,304.82
- 24	1,687.84	1,904.43	3,239.88

<sup>(1)</sup> Material in this Section has been de-tariffed as required by the Commission upon use of the forbearance relief pursuant to FCC Memorandum Opinion and Order No. 07-180, released October 12, 2007. Terms and Conditions associated with de-tariffed services are available at [www.att.com/guidebook](http://www.att.com/guidebook).

(This page filed under Transmittal No. 1666)



## ACCESS SERVICE

## 7. Special Access Service (Cont'd)

## 7.4 Rate Regulations (Cont'd)

7.4.10 Optional Payment Plan (OPP) for Base Rate, DS1, DS3, <sup>(1)</sup>, TV Analog Video Services, Digital Video Service, Supertrunking Video Services, Multichannel Video Service, SONET Express Services and Wideband Analog Video Service <sup>(1)</sup> (Cont'd) (D)

(l) Volume Pricing Plan for DS3 Local Distribution Channels with an Electrical Interface (Cont'd)

(3) Conversion of DS3 Service Package and Service Channels in service prior to October 15, 1999 (Cont'd)

(i) Conversion Credit for Converted DS3 LDCs (Cont'd)

DS3 Service Package - 36 Month OPP	Conversion Credit		
	Zone 1	Zone 2	Zone 3
-DS3B Activated DS3s			
- 2	-	\$ .55	\$ .30
-DS3C Activated DS3s			
- 3	-	-	.45
-DS3L Activated DS3s			
- 9	\$ 74.93	230.74	-
- 10	823.25	1,021.15	784.20
- 11	1,571.58	1,811.57	1,602.62
-DS3X Activated DS3s			
- 18	247.32	551.66	179.47
- 19	786.06	1,124.81	772.78
- 20	1,324.80	1,697.96	1,366.08
- 21	1,863.54	2,271.11	1,959.38
- 22	2,402.28	2,844.26	2,552.69
- 23	2,941.02	3,417.40	3,145.99

<sup>(1)</sup> Material in this Section has been de-tariffed as required by the Commission upon use of the forbearance relief pursuant to FCC Memorandum Opinion and Order No. 07-180, released October 12, 2007. Terms and Conditions associated with de-tariffed services are available at [www.att.com/guidebook](http://www.att.com/guidebook).

(This page filed under Transmittal No. 1666)

## ACCESS SERVICE

## 7. Special Access Service (Cont'd)

## 7.4 Rate Regulations (Cont'd)

7.4.10 Optional Payment Plan (OPP) for Base Rate, DS1, DS3, <sup>(1)</sup>, TV Analog Video Services, Digital Video Service, Supertrunking Video Services, Multichannel Video Service, SONET Express Services and Wideband Analog Video Service <sup>(1)</sup> (Cont'd) (D)

(I) Volume Pricing Plan for Ameritech DS3 Local Distribution Channels with an Electrical Interface (Cont'd)

(3) Conversion of DS3 Service Package and Service Channels in service prior to October 15, 1999 (Cont'd)

(i) Conversion Credit for Converted DS3 LDCs (Cont'd)

DS3 Service Package - 48 Month OPP	Conversion Credit		
	Zone 1	Zone 2	Zone 3
-DS3B Activated DS3s - 2	\$ 20.57	-	\$ 27.49
-DS3F Activated DS3s - 6	45.66	\$ 34.98	2.31
-DS3L Activated DS3s - 9	158.49	145.47	103.47
- 10	796.10	802.30	803.85
- 11	1,433.71	1,459.13	1,504.24
-DS3X Activated DS3s - 18	58.18	73.92	42.62
- 19	506.41	537.86	539.43
- 20	954.64	1,001.80	1,036.24
- 21	1,402.87	1,465.74	1,533.05
- 22	1,851.10	1,929.68	2,029.86
- 23	2,299.34	2,393.62	2,526.68

<sup>(1)</sup> Material in this Section has been de-tariffed as required by the Commission upon use of the forbearance relief pursuant to FCC Memorandum Opinion and Order No. 07-180, released October 12, 2007. Terms and Conditions associated with de-tariffed services are available at [www.att.com/guidebook](http://www.att.com/guidebook).

(This page filed under Transmittal No. 1666)

## ACCESS SERVICE

## 7. Special Access Service (Cont'd)

## 7.4 Rate Regulations (Cont'd)

7.4.10 Optional Payment Plan (OPP) for Base Rate, DS1, DS3, <sup>(1)</sup>, TV Analog Video Services, Digital Video Service, Supertrunking Video Services, Multichannel Video Service, SONET Express Services and Wideband Analog Video Service <sup>(1)</sup> (Cont'd) (D)

(I) Volume Pricing Plan for Ameritech DS3 Local Distribution Channels with an Electrical Interface (Cont'd)

(3) Conversion of DS3 Service Package and Service Channels in service prior to October 15, 1999 (Cont'd)

(i) Conversion Credit for Converted DS3 LDCs (Cont'd)

DS3 Service Package - 60 Month OPP	Zone 1	Conversion Credit Zone 2	Zone 3
-DS3B Activated DS3s			
- 2	-	-	\$ .18
-DS3C Activated DS3s			
- 3	-	-	.30
-DS3F Activated DS3s			
- 6	-	\$ .49	-
-DS3L Activated DS3s			
- 9	-	47.24	-
- 10	\$ 399.92	558.82	415.42
- 11	880.91	1,070.40	946.96
- 12	-	4.97	-
-DS3X Activated DS3s			
- 19	-	248.12	6.60
- 20	329.68	628.28	401.68
- 21	683.66	1,008.44	796.76
- 22	1,037.65	1,388.61	1,191.85
- 23	1,391.63	1,768.77	1,586.93

<sup>(1)</sup> Material in this Section has been de-tariffed as required by the Commission upon use of the forbearance relief pursuant to FCC Memorandum Opinion and Order No. 07-180, released October 12, 2007. Terms and Conditions associated with de-tariffed services are available at [www.att.com/guidebook](http://www.att.com/guidebook).

(This page filed under Transmittal No. 1666)

## ACCESS SERVICE

## 7. Special Access Service (Cont'd)

## 7.4 Rate Regulations (Cont'd)

7.4.10 Optional Payment Plan (OPP) for Base Rate, DS1, DS3, <sup>(1)</sup>, TV Analog Video Services, Digital Video Service, Supertrunking Video Services, Multichannel Video Service, SONET Express Services and Wideband Analog Video Service <sup>(1)</sup> (Cont'd) (D)

(I) Volume Pricing Plan for DS3 Local Distribution Channels with an Electrical Interface (Cont'd) (D)

(3) Conversion of DS3 Service Package and Service Channels in service prior to October 15, 1999 (Cont'd)

(ii) Termination Liability for Converted DS3 LDCs

Customers requesting termination of converted DS3 LDCs with an EI prior to the expiration date of the original OPP term may be liable for a termination charge. The termination charge for all OPP terms will be calculated as follows:

If the terminated DS3 LDC was a former DS3 Service Package with a capacity of one, the termination liability will be calculated as described in 7.4.10 C, preceding.

If the terminated DS3 LDC was part of a former DS3 Service Package with a capacity of more than one, and the terminated DS3 LDC will not bring the total number of DS3 LDCs remaining under the minimum required for the Service Package, as shown following, no termination liability will apply. If the terminated DS3 LDC will bring the total number of DS3 LDCs remaining under the minimum required for the Service Package, termination liability will be calculated as described in 7.4.10(C) preceding.

<sup>(1)</sup> Material in this Section has been de-tariffed as required by the Commission upon use of the forbearance relief pursuant to FCC Memorandum Opinion and Order No. 07-180, released October 12, 2007. Terms and Conditions associated with de-tariffed services are available at [www.att.com/guidebook](http://www.att.com/guidebook).

(This page filed under Transmittal No. 1666)

## ACCESS SERVICE

## 7. Special Access Service (Cont'd)

## 7.4 Rate Regulations (Cont'd)

7.4.10 Optional Payment Plan (OPP) for Base Rate, DS1, DS3, <sup>(1)</sup>, TV Analog Video Services, Digital Video Service, Supertrunking Video Services, Multichannel Video Service, SONET Express Services and Wideband Analog Video Service <sup>(1)</sup> (Cont'd) (D)

(I) Volume Pricing Plan for DS3 Local Distribution Channels with an Electrical Interface (Cont'd)

(3) Conversion of DS3 Service Package and Service Channels in service prior to October 15, 1999 (Cont'd)

(ii) Termination Liability for Converted DS3 LDCs (Cont'd)

For example, if 4 DS3s were part of a former DS3F Service Package and 1 of the DS3s is terminated prior to the expiration date of the original Service Package OPP term, no termination liability will apply. However, if an additional DS3 is terminated prior to the expiration date of the original Service Package OPP term, and the customer's total number of DS3s billed under the same OPP term falls below the minimum requirement for the former Service Package (i.e., less than 3 DS3s for a DS3F Service Package) termination liability for the terminated DS3 will be calculated as described in 7.4.10(C) preceding.

DS3 Service Package With Electrical Interface	Minimum Required DS3 LDCs	Maximum Available DS3 LDCs
DS3B	1	2
DS3C	1	3
DS3F	3	6
DS3L	7	12
DS3X	13	24

<sup>(1)</sup> Material in this Section has been de-tariffed as required by the Commission upon use of the forbearance relief pursuant to FCC Memorandum Opinion and Order No. 07-180, released October 12, 2007. Terms and Conditions associated with de-tariffed services are available at [www.att.com/guidebook](http://www.att.com/guidebook).

(This page filed under Transmittal No. 1666)

## ACCESS SERVICE

## 7. Special Access Service (Cont'd)

## 7.4 Rate Regulations (Cont'd)

## 7.4.11 Fiber Hubs for DS1 or DS3 Services

A customer has the option of ordering DS3, DS1 (excluding DS1 - 128.0, 256.0, 384.0, 512.0 and 768.0 Kbps transport) Base Rate or Direct Analog services to terminate in a Fiber Hub for cross-connection to another service of the same speed. Fiber Hub locations are specified in National Exchange Carrier Association Tariff F.C.C. No. 4.

(N)

When a customer orders a service terminating in a Fiber Hub, the service is installed, and service parameters are measured from the customer designated premises to the Fiber Hub. When this service is subsequently cross-connected to another service, the two cross-connected services are treated separately for service performance measurement and service interruption credit purposes. For example, if Customer A cross-connects to Customer B's service at a Fiber Hub, and Customer B's service is subsequently interrupted, the Telephone Company will credit only Customer B for the service interruption.

DS1 channels from two multiplexed DS3 services may be cross-connected at the Fiber Hub. The customer must provide the DS3 system and channel assignment information for the DS1 channels.

(This page filed under Transmittal No. 1390)

## ACCESS SERVICE

## 7. Special Access Service (Cont'd)

## 7.4 Rate Regulations (Cont'd)

7.4.12 Shared Network Arrangement<sup>(1)</sup>

(C)

Each customer entering into a Shared Network Arrangement is solely responsible to the Telephone Company for charges associated with **that customer's portion** of the shared network. Disconnection of service by the Host Subscriber does not relieve another user of the network of any obligation to pay access charges associated with the portion of the shared network to which that user subscribes. Billing for services and facilities will continue until a disconnect request from the Service User has been received by the Telephone Company. The Host Subscriber is solely responsible for notifying the connecting Service User in the event of disconnection of the Host service which affects that portion of the shared network service to which the Service User has subscribed.

For administrative purposes, one "Arrangement" under the Shared Network Arrangement offering shall be limited to the agreement between one Host Subscriber and one Service User permitting the Service User to connect a specified number of subtending circuits to one specified multiplexer on the Host's service. Agreements between one Host Subscriber and two (or three, etc.) Service Users shall be deemed to comprise two (or three, etc., respectively) separate "Arrangements". However, an agreement to expand the scope of an existing Arrangement by subsequently increasing the number of subtending circuits on the same multiplexer shall not constitute a new or separate "Arrangement".

Shared use as described in Section 7.4.9 will apply to both the Host Subscriber's and Service User's portion of the service for which they are billed. Any reconciliation of Shared Use as described in Section 7.4.9 must be negotiated between the Host Subscribers and Service Users.

A Shared Network Arrangement shall be established between a Host Subscriber and a Service User upon the completion of the service order for the first circuit(s) in the arrangement. No Shared Network Arrangement shall be deemed to be in effect until at least one subtending circuit has been installed for the Service User. A Shared Network Arrangement shall be deemed canceled when the last subtending circuit has been disconnected.

A Processing Charge will apply for handling each service order in a Shared Network Arrangement when a Service User orders that a subtending circuit(s) be connected to a Host Subscriber's multiplexed service. The Processing Charge is contained in Section 7.5.9(D) and applies in addition to all other applicable rates and charges.

(1) Effective 05/26/06, this regulation is limited to existing customers. For new customers purchasing Shared Network Arrangement, terms and conditions set forth in Section 5.2 (A), will apply.

(N)  
(N)

(This page filed under Transmittal No. 1551)

Issued: May 11, 2006

Effective: May 26, 2006

## ACCESS SERVICE

## 7. Special Access Service (Cont'd)

## 7.4 Rate Regulations (Cont'd)

## 7.4.13 Discount Commitment Program (DCP) \*

## (A) General Description

The Discount Commitment Program (DCP) provides the customer with rate stabilization and discounted rates for Direct Analog, Base Rate and DS1 services (described in Sections 7.2.3 and 7.2.9, preceding), except the DCP is not available for DS1 Local Distribution Channels (LDC) associated with 128, 256, 384, 512, and 768 Kbps Channel Mileage Termination and Channel Mileage, installed after October 2, 2000. The customer agrees to a minimum service commitment per service per state when establishing a DCP. Customers may disconnect or move Local Distribution Channels within the state and not be subject to Termination Liability charges as long as commitment levels are maintained.

(N)

DCPs may be established by service by state and be of either 3 or 5 years duration. A customer may have only one DCP per service per state in effect at one time. For example, a customer that has a 3 year DCP for Direct Analog service in Illinois may not establish a second Direct Analog DCP in Illinois until the current DCP expires.

Monthly rates for services installed under a DCP will change as Telephone Company initiated rate changes become effective but during the DCP term will not exceed the monthly rate in effect at the beginning of the customer's DCP term. During the term of the selected DCP, Telephone Company initiated rate changes (increases or decreases) will automatically be applied to the monthly rates for the remaining months of the current DCP term. But in no case will any rate change cause the monthly rate during the DCP term to exceed that in effect at the beginning of the customer's DCP term.

## (B) Commitment Level

A customer establishes a DCP term by committing 90 percent or more of their in service Local Distribution Channels to a term of either 3 or 5 years duration. Although the commitment is based upon Local Distribution Channels, the following rate elements will all receive DCP rates:

Channel Mileage  
Channel Mileage Termination  
DS1 to Voice/Base Rate Multiplexer  
Local Distribution Channel

\* DCP is not available for DS1 Local Distribution Channels (LDC) associated with 128, 256 384, 512, and 768 Kbps Channel Mileage Termination and Channel Mileage, installed after October 2, 2000.

(N)

(This page filed under Transmittal No. 1390)



## ACCESS SERVICE

## 7. Special Access Service (Cont'd)

## 7.4 Rate Regulations (Cont'd)

## 7.4.13 Discount Commitment Program (DCP) (Cont'd) \*

## (B) Commitment Level (Cont'd)

Only rate elements not purchased under an Optional Payment Plan (described in Section 7.4.9) will be eligible for inclusion in the commitment level and for DCP rates.

As long as a customer's actual in service level of Local Distribution Channels is at the commitment level, customers will be billed DCP rate for all eligible rate elements. Additionally, if a customer's in service level exceeds the initial in service level by no more than 30 percent for a three year DCP or 50 percent for a 5 year DCP, customers will be billed the DCP rates for all eligible rate elements. For example, a customer with 100 Base Rate LDCs commits 90 LDCs (or 90 percent) to a 3 year DCP term. The customer will be billed DCP rates as long as the actual in service level of Base Rate LDCs is greater than or equal to 90 or less than 130.

If a customer's in service level exceeds the initial in service level by more than 30 percent for a three year term or 50 percent for a 5 year term, the customer will be billed the monthly rate for all LDCs above the commitment level. For example, a customer with 100 Base Rate LDCs that commits 90 (or 90 percent) LDCs to a 3 year DCP actually has 140 LDCs in service. This customer will be billed DCP rates for 90 LDCs but monthly rates for the 50 LDCs above the commitment level.

If a customer's actual in service level falls below the commitment level, the customer will be billed for the commitment level of LDCs at DCP rates. For example, a customer that commits 90 LDCs but only has 70 LDCs in service will be billed the DCP rates for 90 LDCs.

In all cases, applicable associated rate elements (excluding the LDCs) for the service covered by a DCP term, will receive DCP rates even when the actual in service level of Local Distribution Channels is outside the DCP parameters, as described above.

\* DCP is not available for DS1 Local Distribution Channels (LDC) associated with 128, 256, 384, 512, and 768 Kbps Channel Mileage Termination and Channel Mileage, installed after October 2, 2000.

(N)

(This page filed under Transmittal No. 1390)

## ACCESS SERVICE

## 7. Special Access Service (Cont'd)

## 7.4 Rate Regulations (Cont'd)

## 7.4.13 Discount Commitment Program (DCP) (Cont'd) \*

## (C) 90 Day Review Period

No adjustments, for being above or below commitment level (as described in (B) above), in monthly billing for a DCP will take place until 90 days after Telephone Company notification to the customer that the commitment level has been exceeded or not been met. This will insure that customers will not be penalized for aberrations in Local Distribution Channel counts caused by timing differentials in disconnection and installation.

Customers' bills will not be adjusted for being outside the parameters described in 7.4.13(B), preceding during the 90 day review period. Additionally, customers will continue to be billed the adjustments (following the 90 day review period) for being outside the described parameters until the commitment level is met or increased. A new 90 day review period will be initiated if the customer's actual in service level subsequently falls outside the described parameters.

## (D) Increasing the DCP Commitment Level

Customers may increase their commitment level at any time by notifying the Telephone Company in writing. An increase in the commitment level will not change the expiration date of the DCP.

When a commitment level is increased, the actual in service LDC level at the time of the increase will be used to calculate billing adjustments as described in Section 7.4.13(B), preceding.

## (E) Decreasing the DCP Commitment Level and Termination Liabilities

Customers may only decrease their commitment level by paying termination liability charges on the number of Local Distribution Channels by which the commitment level is decreased. Termination Liabilities will apply to Direct Analog, OPTINET Base Rate and DS1 services covered by a DCP. For example, a customer has a commitment level of 90 LDCs. The customer then decreases this commitment level to 70 LDCs. The customer must pay termination liabilities on 20 LDCs.

\* DCP is not available for DS1 Local Distribution Channels (LDC) associated with 128, 256, 384, 512, and 768 Kbps Channel Mileage Termination and Channel Mileage, installed after October 2, 2000.

(N)

(This page filed under Transmittal No. 1390)

## ACCESS SERVICE

## 7. Special Access Service (Cont'd)

## 7.4 Rate Regulations (Cont'd)

## 7.4.13 Discount Commitment Program (DCP) (Cont'd) \*

## (E) Decreasing the DCP Commitment Level and Termination Liabilities (Cont'd)

The Termination Liability for DCP is calculated to be the dollar difference between the current DCP rate for the DCP term that could have been completed during the time the service was actually in service, or the monthly rate for services in place less than 36 months, and the customer's current DCP rate for each month the service was provided.

For example, a customer subscribing to a 60 month DCP term reduced their LDC commitment by 20 LDCs during the 37th month. This customer's termination charge would be:

$$20 \text{ LDCs} \times (36 \text{ month DCP rate} - 60 \text{ month DCP rate}) \times 37 \text{ months} \\ = \text{Termination Charge}$$

Termination Liability charges will not apply to individual Local Distribution Channels disconnected or moved within a state as long as the commitment level is maintained. Normal nonrecurring charges will apply.

A decrease in the commitment level will not change the expiration date of the DCP.

## (F) Upgrading a DCP Service

When a customer upgrades a Direct Analog or Base Rate service being billed DCP rates to an DS1 service, the Direct Analog or Base Rate DCP commitment level will be reduced at the customer's request (up to a maximum of 24) and no termination liabilities will apply. If the customer has a DCP for DS1, the DS1 DCP commitment level will be increased if the customer requests that it be increased. When a customer upgrades an DS1 service being billed DCP rates to an DS3 service with the same termination points, the customer's DS1 DCP commitment level will be reduced at the customer's request (up to a maximum of 28) and no termination liabilities will apply.

\* DCP is not available for DS1 Local Distribution Channels (LDC) associated with 128, 256, 384, 512, and 768 Kbps Channel Mileage Termination and Channel Mileage, installed after October 2, 2000.

(N)

(This page filed under Transmittal No. 1390)

ACCESS SERVICE

7. Special Access Service (Cont'd)

7.4 Rate Regulations (Cont'd)

7.4.13 Discount Commitment Program (DCP) (Cont'd) \*

(G) Conversion to an Optional Payment Plan (OPP)

Customers may convert services from a DCP term to an OPP as described in 7.4.10, preceding. No termination liabilities will apply to services converted to an OPP term of the same or longer length than the DCP term. Additionally, the customer's DCP commitment level will be reduced by the number of LDCs, associated with the service, converted to an OPP term.

\* DCP is not available for DS1 Local Distribution Channels (LDC) associated with 128, 256, 384, 512, and 768 Kbps Channel Mileage Termination and Channel Mileage, installed after October 2, 2000.

(N)

(This page filed under Transmittal No. 1390)

**ACCESS SERVICE**

**7. Special Access Service (Cont'd)**

**7.4 Rate Regulations (Cont'd)**

D

D

---

**Issued: January 16, 1992**

**Effective: February 20, 1993**

**Assistant Vice President, 4F08  
2000 W. Ameritech Center Drive  
Hoffman Estates, Illinois 60196-1025**

## ACCESS SERVICE

## 7. Special Access Service (Cont'd)

## 7.4 Rate Regulations (Cont'd)

## 7.4.14 Network Reconfiguration Service (NRS) (T)

This section contains specific regulations governing the rates and charges that apply for Network Reconfiguration Service. (T)

## (A) Types of Rates and Charges

## (1) Monthly Rates

## (a) NRS Service Charge (Ability to Reconfigure Networks) (T)

The NRS Service Charge is a monthly recurring rate that is applied per customer network database that gives the customer the ability to reconfigure their network. The NRS Service Charge applies in each state of Ameritech's operating territory in which the customer intends to reconfigure circuits. (T)

## (b) NRS Access Arrangement (T)

The NRS Access Arrangement charge applies for each Dedicated Access Network Link or dial-in access number that the customer uses to access NRS. The Access Arrangement provides the interface between the customer and the NRS System Locations. Dedicated Network Access Links (DNALs) or dial-in access should be purchased from the applicable intrastate or interstate tariffs. This option may be utilized with a compatible DNAL as specified in Section 8.3.1(E). An Access Arrangement must be purchased for each Dedicated Network Access Link or dial-in number used to access the NRS system to request reconfigurations. (T)

(TR1357)

Issued: October 6, 2003

Effective: October 21, 2003

One SBC Plaza, Dallas, Texas 75202

## ACCESS SERVICE

## 7. Special Access Service (Cont'd)

## 7.4 Rate Regulations (Cont'd)

## 7.4.14 Network Reconfiguration Service (NRS) (Cont'd) (T)

## (A) Types of Rates and Charges (Cont'd)

## (2) Nonrecurring Charges

## (a) NRS Service Charge (Ability to Reconfigure Networks) (T)

There is a nonrecurring charge for initially establishing the customer network database. The network database will contain all facilities and channels that a customer will be able to reconfigure. The NRS Service Charge will apply once in each state of Ameritech's operating territory in which the customer has channels that will be reconfigured with NRS. (T)

## (b) NRS Database Modification (T)

The Database Modification charge applies to customer initiated changes to their network database subsequent to the initial database setup. These changes include:

- (1) Addition or deletion of channel/facility termination sat the NRS system location. (T)
- (2) Addition, deletion or change in the customer's master security password.
- (3) Establish cross-connection of two NRS subscribers located at the same NRS location. Letters of Authorization must be submitted by both customers to the Telephone Company before the modification is made. (T)

Discontinuance of the above arrangement will also generate a modification charge.

This charge applies to each change to a customer's database. If more than one change is requested at the same time, the charge is applied to each change requested.

(TR1357)

Issued: October 6, 2003

Effective: October 21, 2003

One SBC Plaza, Dallas, Texas 75202

## ACCESS SERVICE

## 7. Special Access Service (Cont'd)

## 7.4 Rate Regulations (Cont'd)

## 7.4.14 Network Reconfiguration Service (ANRS) (Cont'd) (T)

## (A) Types of Rates and Charges (Cont'd)

## (2) Nonrecurring Charges (Cont'd)

## (d) NRS Access Arrangement (T)

There is a nonrecurring charge associated with the initial installation of the arrangement.

## (e) Attendant Access

Attendant Access provides for reconfiguration activities to be performed by a Telephone Company attendant at the direction of the customer. The customer may request that the commands be performed on demand or at a later, scheduled time. On demand requests will normally be executed by the attendant within one hour of the customer's request. Attendant Access cannot be purchased independently but is available to customer's that access NRS either through a dial-in or dedicated arrangement. (T)

The Attendant Access charge is charged on the first 30 minutes of use and subsequent 15 minute increments.

## (f) NRS Training (T)

The NRS training charge provides for additional training requested by the customer beyond the training session included with the initial installation of the NRS service. (T)

The customer may request additional training on an hourly basis to be provided at a location agreed upon by the Telephone Company and the customer. (T)

(TR 1357)

Issued: October 6, 2003

Effective: October 21, 2003

One SBC Plaza, Dallas, Texas 75202



ACCESS SERVICE

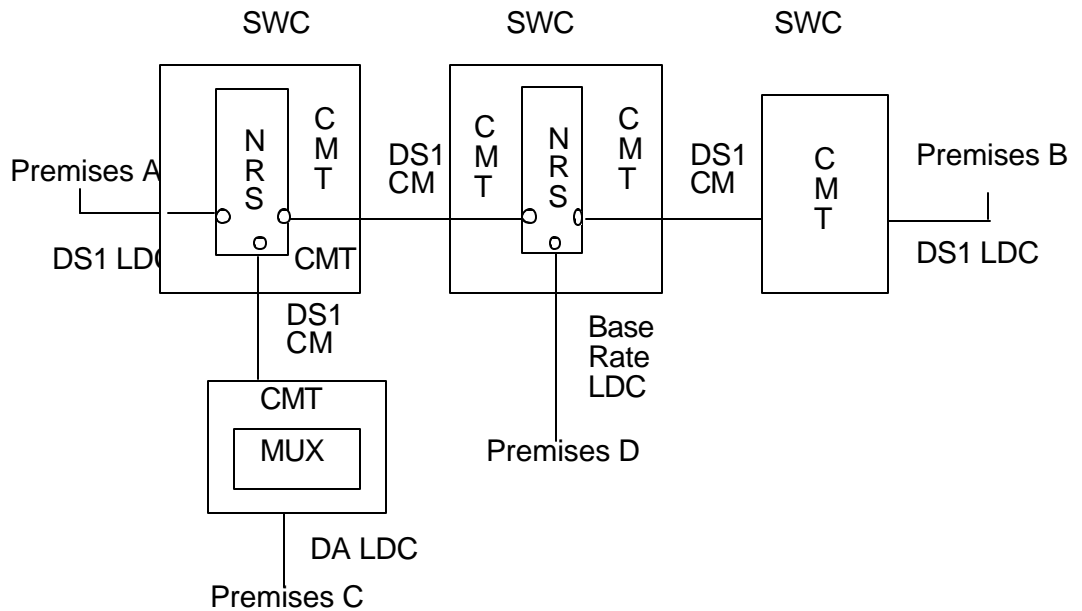
7. Special Access Service (Cont'd)

7.4 Rate Regulations (Cont'd)

7.4.14 Network Reconfiguration Service NRS (Cont'd)

(B) Service Configuration

The following diagram depicts Network Reconfiguration Service (NRS) utilized with DS1 and Base Rate and Direct Analog Services.



- LDC - Local Distribution Channel
- CMT - Channel Mileage Termination
- CM - Channel Mileage
- SWC - Serving Wire Center
- MUX - Multiplexer
- ANRS - NRS System Location
- o - NRS Port Termination
- DA - Direct Analog

Applicable rate elements are:

- Local Distribution Channels, 2 DS1, 1 Base Rate, 1 Direct Analog
- Channel Mileage Terminations - 6 DS1
- Channel Mileage - 3 DS1 mileages
- NRS Port Terminations - 5 DS1, 1 Base Rate
- Multiplexing - 1 DS1 to Base Rate/Direct Analog- Appropriate NRS Basic Service and ACCESS rate elements

(TR 1357)

Issued: October 6, 2003

Effective: October 21, 2003

ACCESS SERVICE

7. Special Access Service (Cont'd)

7.4 Rate Regulations (Cont'd)

7.4.15 Installation Interval Guarantee

A failure to meet the confirmed due date provided by the Telephone Company for the services following, will result in a customer credit as shown below, where the responsibility for the failure is the Telephone Company's:

(C)  
(C)  
(C)

Services	Credit Amount
Direct Analog Service	\$200.00
Base Rate	\$250.00
DS1	\$350.00
DS3	\$600.00

(C)  
|  
(C)

This guarantee does not apply to any installation involving the following circumstances:

1. The customer requests expedited orders
2. Other Telephone Companies are designated as the billing company as set forth in Section 2.4.7 preceding or the AOC is the billing company as set forth in 2.4.7(B)(3) and 2.4.7(B)(4) preceding.
3. The customer's premises is inaccessible
4. The customer changes interface requirements
5. The customer is not ready to accept service
6. Building facilities are not ready (includes space, cable support structures, building risers and entrance facilities to be provided by builder or owner or owner's subcontracted vendors)
7. The customer orders termination beyond the Network Interface
8. The nonrecurring installation charges (Design and Central Office and Customer Connection) are waived or zero rated.
9. The delay is caused by civil disturbances, criminal actions, work stoppages, by fire, flooding or other occurrence attributed to an Act of God or any other circumstance beyond the Telephone Company's reasonable control.

(N)  
|  
(N)

(This page filed under Transmittal No. 1388)

## ACCESS SERVICE

## 7. Special Access Service (Cont'd)

## 7.4 Rate Regulations (Cont'd)

## 7.4.16 Enhanced Performance Assurance Program (T)

## (A) General

The Enhanced Performance Assurance Program provides an on-time installation, installation interval, and service restoration assurance program to customers who purchase Special Access DS0 and non-channelized (point-to-point) DS1 services. The program establishes certain installation and repair performance parameters, and provides credits to customers, as specified herein, in the event that these performance parameters are not met. (T)

The Enhanced Performance Assurance Program is based on performance measurements in six (6) areas. The measurements are: (T)

- DS0 service installation intervals
- DS0 on time installations
- Restoral of DS0 service outages
- DS1 service installation intervals
- DS1 on time installations
- Restoral of DS1 service outages

The credits established herein are in addition to any other installation interval and service interruption credits offered to Special Access customers under this tariff.

## (B) Descriptions and Definitions

- (1) DS0 Special Access Service (referred to in this Paragraph 7.4.16 as "DS0")

A Direct Analog Service or Ameritech Base Rate Service. (T)

- (2) Non-channelized DS1 Special Access Service (referred to in this Paragraph 7.4.16 as "DS1")

A point-to-point DS1 (1.544 Mbps) Service provided without multiplexing to individual lower speed services. (T)

(This page filed under Transmittal No. 1357)

**ACCESS SERVICE**

**7. Special Access Service (Cont'd)**

**7.4 Rate Regulations (Cont'd)**

**7.4.16 Ameritech Enhanced Performance Assurance Program (Cont'd)**

**(B) Descriptions and Definitions (Cont'd)**

**(3) Measured Trouble Ticket**

Measurement of DS0 and DS1 service outages will begin with the issuance of a measured trouble ticket. Measured trouble tickets will be issued upon receipt of the following measured report types listed below. The trouble codes listed indicate the types of trouble that will be measured.

**(a) Measured Report Types**

**Customer Reports (CR)** - Reports received directly from a customer, the customer's agent, vendor or representative, or a Company employee representing the customer or relaying a customer report.

**Referred In (RN)** - Used for trouble that has been referred from a Serving Bureau (SVB) (a Telephone Company center that manages trouble for a specific types of service, i.e., local exchange service, low speed transmissions (DS0), hi-cap transmissions (DS1) , switched services, or broadcast) other than the SVB responsible for either clearing the trouble or for further sectionalization. An SVB will accept referral only if:

- (1)** The testing has proven the trouble to be within its area of responsibility.
- (2)** The referring Serving Bureau or other Telephone Company trouble reporting entity receives an original report and the trouble is found to be outside the area of responsibility of the referring Serving Bureau. For example, the customer of record opens a case of trouble with a Company SVB, and it is found that the trouble should have been referred to the Serving Bureau responsible for the type of trouble found. The Company SVB that initiated the measured trouble ticket will refer the trouble to the appropriate Serving Bureau for resolution.

**Referred from Self - (RS)** - This report is used when a trouble has been found to be on a Special Access circuit that is being maintained by a third party under contract with the Company. This type of trouble report is referred by an entity with whom the Company has a service maintenance contract.

**(b) Measured Trouble Codes**

**The NonPlan Classified (NPC)** trouble code is used when the reported circuit trouble is caused by problems in the Company's network equipment or facilities that are not dedicated to the reported circuit. NPC is also used to classify troubles affecting Special Access circuits controlled by the Company but located beyond its area of responsibility (another local exchange carrier's equipment or facilities).

N

(TR1107)

ACCESS SERVICE

7. Special Access Service (Cont'd)

7.4 Rate Regulations (Cont'd)

7.4.16 Ameritech Enhanced Performance Assurance Program (Cont'd)

(B) Descriptions and Definitions (Cont'd)

(3) Measured Trouble Ticket (Cont'd)

(b) Measured Trouble Codes (Cont'd)

**The Test OK (TOK)** trouble code is used when the reported trouble cannot be verified, no trouble is detected, no cause for the trouble can be established, or no situation exists which requires further investigation and the circuit operates properly when tested.

**The Came Clear (CC)** trouble code is used when a reported trouble is verified through testing or some other procedure, and the trouble disappears either before sectionalization or after the hand off to a maintenance organization for resolution. The hand off organization saw trouble, but the trouble came clear prior to resolution.

**The No Trouble Found (NTF)** trouble code is used when trouble is handed off to a maintenance organization for trouble sectionalization. No trouble is found or detected by the receiving maintenance organization.

**The Serving Bureau (SVB)** trouble code is used to classify troubles due either to physical equipment malfunction or to operation activities in the Serving Bureau.

**The Facility (FAC)** trouble code is used to classify troubles due either to physical problems or operational activities in Company facilities between the last serving central office and the point of demarcation, or between central offices. This may include cable, drop wire, protectors, subscriber loop carrier (SLC), inter-office facilities, carrier system facilities, network terminating wire and the network interface equipment.

**The Central Office (CO)** trouble code is used to classify troubles on Special Access circuits due to physical equipment or operational activities in the control central office's area of responsibility. This includes carriers, intra-office facilities, channel equipment, tie pairs, office cross connections, main frame protectors, etc.

Sy

Sy  
Cx  
Cx  
Sy

Sy  
Cx

Sy  
Sy

x Issued under authority of Special Permission No. 97-203.  
y Material effective July 1, 1997 under Transmittal No. 1107.

(TR1111)

Issued: June 30, 1997

Effective: July 1, 1997

ACCESS SERVICE

7. Special Access Service (Cont'd)

7.4 Rate Regulations (Cont'd)

7.4.16 Ameritech Enhanced Performance Assurance Program (Cont'd)

(B) Descriptions and Definitions (Cont'd)

(3) Measured Trouble Ticket (Cont'd)

(c) Time Excluded From Measurement

(1) No-Access

The time period included in the service outage measurement is stopped for a No-Access period when the Company maintenance organization do not have access to the customer's designated premises or circuits. The Company will have either customer concurrence or documentation within the Company log supporting attempt to obtain concurrence.

**No-Access Start/Stop Time**

No-Access time starts when access to a customer's premises or circuit is deemed unavailable. No-Access time stops when access to a customer's premises or circuit becomes available.

No-Access suspension of time applies to both Serving Bureau and Local Plant time:

**Serving Bureau** time applies when testing and sectionalization would render all or part of a circuit inoperative and the customer denies or is unable to grant access until a later time or date. Serving Bureau time will also be suspended when a trouble condition has been cleared but the customer is unavailable to accept the circuit.

**Local Plant** time applies when a Company technician is dispatched to the customer's designated premises and access is prohibited or denied by the customer, the customer's end user, or an agent/vendor.

(2) Delayed Maintenance

Delayed Maintenance occurs when work time is suspended during the time periods that fall outside of the normal business day. Customer concurrence is necessary for a delayed maintenance time period occurrence. The normal business day is Monday through Friday, between 8:00 a.m. and 5:00 p.m. Holidays are not considered normal business days. Any time outside of the normal business day may be considered a delayed maintenance occurrence.

N  
N

(TR1107)

Issued: June 16, 1997

Effective: July 1, 1997

Director, Federal Regulatory Planning & Policy, 4G62  
2000 W. Ameritech Center Drive  
Hoffman Estates, Illinois 60196-1025

ACCESS SERVICE

7. Special Access Service (Cont'd)

7.4 Rate Regulations (Cont'd)

7.4.16 Ameritech Enhanced Performance Assurance Program

(C) Performance Measurements

(1) Installation Intervals

The Company will attempt to meet the average offered installation intervals for DS0 and DS1 service as specified in the Ameritech Interval Guide Publication AM-TR-MKT-000066. Failure to meet these standards will result in credits to customer as set forth herein.

Credits

For DS0 Services, the Company will credit the customer \$7.00 per Local Distribution Channel (LDC) installed for the customer during the applicable time period, as specified in Paragraph 7.4.16 (C) (4) (a) through (d), for each full day that the average offered installation interval for all DS0 access customers in the aggregate exceeds the standards set forth in the Ameritech Interval Guide Publication AM-TR-MKT-000066.

For DS1 Service, the Company will credit the customer \$30.00 per LDC installed for the customer during the applicable time period, as specified in Paragraph 7.4.16 (C) (4) (a) through (d), for each full day that the average offered installation interval for all DS1 access customers in the aggregate exceeds the standards set forth in the Ameritech Interval Guide Publication AM-TR-MKT-000066.

Installation Interval Credits

Service	Credit per LDC Installed
DS0	\$ 7.00
DS1	30.00

N

N

(TR1107)

Issued: June 16, 1997

Effective: July 1, 1997

Director, Federal Regulatory Planning & Policy, 4G62  
2000 W. Ameritech Center Drive  
Hoffman Estates, Illinois 60196-1025

ACCESS SERVICE

7. Special Access Service (Cont'd)

7.4 Rate Regulations (Cont'd)

7.4.16 Ameritech Enhanced Performance Assurance Program (Cont'd)

(C) Performance Measurements (Cont'd)

(2) Installation Due Dates

The Company will attempt to meet the installation due dates for DS0 and DS1 service in accordance with the schedule listed below. Failure to meet these standards will result in credits to customer as set forth herein.

Installation Due Date Performance Standards

Service	Percentage of Committed Due Dates Met*	Effective Date of Performance Standard
DS0 & DS1	90%	July 1, 1997
	91%	October 1, 1997
	92%	January 1, 1998
	93%	July 1, 1998
	94%	January 1, 1999
	95%	July 1, 1999

The "committed due date" is the date established by the Company for providing DS0 and DS1 service to the access customer. The standards set forth in this section for DS0 service encompass due dates established for locations where facilities are available and for negotiated due dates. The standards set forth in this section for DS1 service encompass due dates established for targeted buildings and off-net locations as well as negotiated due dates. Negotiated due dates, targeted buildings and off-net locations are those defined and described in the Ameritech Interval Guide Publication AM-TR-MKT-000066.

\*Percentage of Committed Due Dates Met for all DS0 or DS1 access customers in the aggregate.

(TR1107)

Issued: June 16, 1997

Effective: July 1, 1997

Director, Federal Regulatory Planning & Policy, 4G62  
2000 W. Ameritech Center Drive  
Hoffman Estates, Illinois 60196-1025

N

N



ACCESS SERVICE

7. Special Access Service (Cont'd)

7.4 Rate Regulations (Cont'd)

7.4.16 Ameritech Enhanced Performance Assurance Program (Cont'd)

(C) Performance Measurements (Cont'd)

(2) Installation Due Dates (Cont'd)

Credits

For DS0 Services, from July 1, 1997 through June 30, 1998, the Company will credit the customer \$7.00 per LDC installed for the customer during the applicable time period, as specified in Paragraph 7.4.16 (C) (4) (a) through (d), for each percentage point that the Company's performance for all DS0 access customers in the aggregate falls below the standards set forth above.

Effective July 1, 1998, the Company will credit the customer with \$3.50 per DS0 LDC installed for the customer during the applicable time period, as specified in Paragraph 7.4.16 (C) (4) (a) through (d), for each of the first two percentage points that the Company's performance for all DS0 access customers in the aggregate falls below the standards set forth above, and \$7.00 for each additional percentage point.

For DS1 Service, from July 1, 1997 through June 30, 1998, the Company will credit the customer \$30.00 per LDC installed for the customer during the applicable time period, as specified in Paragraph 7.4.16 (C) (4) (a) through (d), for each percentage point that the Company's performance for all DS1 access customers in the aggregate falls below the standards set forth above.

Effective July 1, 1998, the Company will credit the customer with \$15.00 per DS1 LDC installed for the customer during the applicable time period, as specified in Paragraph 7.4.16 (C) (4) (a) through (d), for each of the first two percentage points that the Company's performance for all DS1 access customers in the aggregate falls below the standards set forth above, and \$30.00 for each additional percentage point.

Schedule of Installation Due Date Credits \*  
(per LDC installed)

Service	Effective Date	1st Percentage Point Below Target	2nd Percentage Point Below Target	Add'l Percentage Points Below Target
DS0	7/1/97	\$ 7.00	\$ 7.00	\$ 7.00
DS0	7/1/98	3.50	3.50	7.00
DS1	7/1/97	30.00	30.00	30.00
DS1	7/1/98	15.00	15.00	30.00

\* For purposes of determining credits, performance will be rounded to the nearest whole percentage point.

(TR1107)

Issued: June 16, 1997

Effective: July 1, 1997

Director, Federal Regulatory Planning & Policy, 4G62  
2000 W. Ameritech Center Drive  
Hoffman Estates, Illinois 60196-1025

N

N

ACCESS SERVICE

7. Special Access Service (Cont'd)

7.4 Rate Regulations (Cont'd)

7.4.16 Ameritech Enhanced Performance Guarantee Program (Cont'd)

(C) Performance Measurements (Cont'd)

(3) Service Restoration

The Company will attempt to restore DS0 and DS1 service outages in accordance with the schedule listed below. Failure to meet these standards will result in credits issued to customers as set forth herein. An "outage" means a situation that results in generation of a measured Ameritech trouble ticket. The Company will be responsible for outages that exist as a result of a failure of a Company provided facility component used to furnish service under this tariff.

Service Restoration Standards

Percentage of outages restored (for all DS0 or DS1 access customers in the aggregate) within X\* hours of issuance of the Ameritech trouble ticket

Service	Percentage	Hours*	Effective Date
DS0	75%	3.5	July 1, 1997
	70%	3	January 1, 1999
DS1	70%	3	July 1, 1997
	71%	3	October 1, 1997
	72%	3	January 1, 1998
	73%	3	July 1, 1998
	74%	3	January 1, 1999
	75%	3	July 1, 1999

x Issued under authority of Special Permission No. 97-203.  
 y Material effective July 1, 1997 under Transmittal No. 1107.

\* Represents the time period within which the outages are restored.

(TR1111)

Issued: June 30, 1997

Effective: July 1, 1997

Sy  
 Sy  
 Cx  
 Cx  
 Sy  
 Sy

ACCESS SERVICE

7. Special Access Service (Cont'd)

7.4 Rate Regulations (Cont'd)

7.4.16 Ameritech Enhanced Performance Guarantee Program (Cont'd)

(C) Performance Measurements (Cont'd)

(3) Service Restoration (Cont'd)

Credits

From July 1, 1997, through December 31, 1998, the Company will credit the customer \$12.00 per circuit for each DS0 circuit for which a measured trouble ticket is issued for the customer during the applicable time period, as specified in Paragraph 7.4.16 (C) (4) (a) through (d), for each percentage point that the Company's performance for all DS0 access customers in the aggregate falls below the standards set forth above.

Effective January 1, 1999, Ameritech will credit the customer with \$6.00 per circuit for each DS0 circuit for which a measured trouble ticket is issued for the customer during the applicable time period, as specified in Paragraph 7.4.16 (C) (4) (a) through (d), for each of the first two percentage points that the Company's performance for all DS0 access customers in the aggregate falls below the standards set forth above, and \$12.00 for each additional percentage point.

From July 1, 1997, through June 30, 1998, the Company will credit the customer \$45.00 per circuit for each DS1 circuit for which a measured trouble ticket is issued for the customer during the applicable time period, as specified in Paragraph 7.4.16 (C) (4) (a) through (d), for each percentage point that the Company's performance for all DS1 access customers in the aggregate falls below the standards set forth above.

Effective July 1, 1998, the Company will credit the customer with \$22.50 per circuit for each DS1 circuit for which a measured trouble ticket is issued for the customer during the applicable time period, as specified in Paragraph 7.4.16 (C) (4) (a) through (d), for each of the first two percentage points that the Company's performance for all DS1 access customers in the aggregate falls below the standards set forth above, and \$45.00 for each additional percentage point.

Service Restoration Credits \*  
(per circuit, per measured trouble ticket)

Service	Effective Date	1st Percentage Point Below Target	2nd Percentage Point Below Target	Add'l Percentage Points Below Target
DS0	7/1/97	\$12.00	\$12.00	\$12.00
DS0	1/1/99	6.00	6.00	12.00
DS1	7/1/97	\$45.00	\$45.00	\$45.00
DS1	7/1/98	22.50	22.50	45.00

\* For purposes of determining credits, performance will be rounded to the nearest whole percentage point.

(TR1107)

Issued: June 16, 1997

Effective: July 1, 1997

Director, Federal Regulatory Planning & Policy, 4G62  
2000 W. Ameritech Center Drive  
Hoffman Estates, Illinois 60196-1025

N

N

ACCESS SERVICE

7. Special Access Service (Cont'd)

7.4 Rate Regulations (Cont'd)

7.4.16 Ameritech Enhanced Performance Guarantee Program (Cont'd)

(C) Performance Measurements (Cont'd)

(4) Calculation of Credits

- (a) The Company will provide customer with the credits described above for each month that the Company fails to meet the performance standards. Such credits will be based on the monthly volumes for the applicable standard (e.g., DS1 LDCs installed for the customer during the month).
- (b) Once the Company meets the performance standard for one of the six categories set forth above -- DS0 intervals, installation due dates, and service restoration; DS1 intervals, installation due dates, and service restoration -- for a month, it will no longer be determined on a monthly basis for that performance standard. At that point the category will be assessed quarterly, as follows. If the Company's performance falls below the applicable performance standard in each of the three months of the quarter, the monthly performance during the three months will be averaged and the Company will provide credits for the applicable quarterly LDCs or trouble tickets based on the resulting figure, rounded to the nearest whole percent.
- (c) Quarterly performance will be assessed in accordance with the four traditional calendar quarters (January-March, April-June, July-September, and October-December), except that until a full calendar quarter has occurred performance will be assessed for a full quarter from the first month after the Company meets the performance standard. For example, if the Company meets the DS1 installation standard in July, 1997, the first quarter of assessment will be August-October, followed by September-November, and calendar quarters thereafter.

Sy  
Sy  
Cx  
Cx  
Sy  
Sy  
Cx  
Cx  
Sy  
Cx  
Cx  
Sy

x Issued under authority of Special Permission No. 97-203  
y Material effective July 1, 1997 under Transmittal No. 1107.

(TR1111)

Issued: June 30, 1997

Effective: July 1, 1997

ACCESS SERVICE

7. Special Access Service (Cont'd)

7.4 Rate Regulations (Cont'd)

7.4.16 Ameritech Enhanced Performance Assurance Program (Cont'd)

(C) Performance Measurements (Cont'd)

(4) Calculation of Credits (Cont'd)

(d) If the quarterly measurement is in effect and the Company's performance during a month in the quarter falls below the standard in effect at that time by a certain percentage or more, the Company will provide customer with the credits described above for missing installation due dates or the service restoral standards, based on customer's LDCs or measured trouble tickets for that month.

The following percentages will apply to this provision:

8% below the DS1 or DS0 on-time installation standard until July 1, 1998, and 5% thereafter;

12% below the DS1 or DS0 restoral of service standards until July 1, 1998, and 10% thereafter.

(e) Examples:

If the performance standard at the time (e.g., July 1, 1999) is 95% for committed due dates for DS1 installation, and the Company's monthly performance during a quarter is 95%/93%/91%, no credits will be provided.

If, for the same time period, the performance is 94%/91%/94% (average performance during the quarter of 93%), a credit in the amount of \$30.00 per LDC installed for the customer during the quarter (\$15.00 for each of the two percentage points below 95%) will be provided to reflect the average performance during the quarter of 93%.

If, for the same time period, the performance is 95%/93%/86%, the Company will provide a credit to customer for LDCs installed for customer in the third month in the amount of 2 times \$15.00 (2% below the standard percentage (95%)) plus the \$30.00 LDC credit for each additional percentage below 93%.

Sy

Sy

Sy

Cx

Sy

Sy

Cx

Cx

Sy

Sy

Cx

Cx

x Issued under authority of Special Permission No. 97-203.

y Material effective July 1, 1997 under Transmittal No. 1107.

Certain material previously on this page now appears on Original Page 309.12.11.1.

(TR1111)

Issued: June 30, 1997

Effective: July 1, 1997

Director, Federal Regulatory Planning & Policy, 4G62  
2000 W. Ameritech Center Drive  
Hoffman Estates, Illinois 60196-1025

ACCESS SERVICE

7. Special Access Service (Cont'd)

7.4 Rate Regulations (Cont'd)

7.4.16 Ameritech Enhanced Performance Assurance Program (Cont'd)

(C) Performance Measurements (Cont'd)

(4) Calculation of Credits (Cont'd)

(f) If the Company's performance during a calendar quarter results in credits being owed under both sections (b) and (d) above, the Company will be obligated to provide only the credits described under section (b).

Example:

If the performance standard at the time (e.g., July 1, 1999) is 95% for committed due dates for DS1 installation, and if the Company's performance during the quarter is 94%/91%/88%, the Company would owe credits to customers under both sections (b) and (d) above. Credits would be owed under (b) because the Company's performance fell below the 95% threshold in each of the three months. Credits would be owed under (d) because the 88% performance during the third month fell below the 5% threshold set forth in section (d). In this situation, only the credits owed to customers under section (b) would apply, and the Company will not have obligations under section (d).

(g) The Company will use reasonable efforts to assure that credits provided pursuant to this Paragraph 7.4.16 are separately identified on customer's access bills and are verifiable by customer.

(h) If the Company attempts to meet customer's request for an expedited installation interval for DS0 or DS1 service but is unable to meet the expedited date, the Company's failure to do so shall not be considered a failure to meet the performance standards set forth in this tariff for the purposes of the Ameritech Enhanced Performance Assurance Program.

Nx

Nx

Myx

Myx

Nx

Nx

Myx

Myx

Nx

Nx

Certain material on this page previously appeared on Original Page 309.12.11.

x Issued under authority of Special Permission No. 97-203.

y Material effective July 1, 1997 under Transmittal No. 1107.

(TR1111)

Issued: June 30, 1997

Effective: July 1, 1997

ACCESS SERVICE

7. Special Access Service (Cont'd)

7.4 Rate Regulations (Cont'd)

7.4.16 Ameritech Enhanced Performance Assurance Program (Cont'd)

(C) Performance Measurements (Cont'd)

(5) Credit Cap

The Company will not be obligated to credit its access customers in the aggregate a total amount greater than \$1.2 million per quarter per DS0 service, and \$1.3 million per quarter per DS1 service, and no more than \$10.0 million in a calendar (January-December) year (\$5.0 million from July-December, 1997).

In the event that the credits owed to customers during a quarter or year exceed the applicable credit cap, the Company will prorate the credits provided among the customers eligible to receive such credits under this Paragraph 7.4.16. Credits will be prorated among eligible LDCs or trouble tickets based on the ratio of amount available under the applicable cap to the total amount of credits otherwise owed under this Paragraph 7.4.16. For example, if the Company's DS1 installation and service restoration performance during a quarter results in a credit calculation of \$2 million, as opposed to the \$1.5 million cap, each LDC installed during the quarter and each trouble ticket shall be credited 75% of the amounts set forth in Paragraphs 7.4.16 (C) (1) through (3) above. If the Company's credit obligation is entirely caused by either (a) failure to meet the installation interval or due date standards or (b) failure to meet the service restoration standards, the proration will apply only to the affected standard. However, if credits are owed by the Company under both the installation and service restoration standards, the proration will be applied to both the LDC and the trouble ticket credits.

(6) Performance Verification

To determine whether credits are due under this Paragraph 7.4.16, the Company will maintain records of its performance so as to reflect the specific performance criteria described above. Upon customer's written request, the Company will provide customer with a copy of these performance records for (a) customer's DS0 and DS1 services and (b) the DS0 and DS1 services for all of the Company's access customers in the aggregate. This information will include monthly average offered installation intervals by dispatch area and semi-annual identification of the local Company serving wire centers located within each dispatch area.

Sy

Sy

Cx

Cx

Cx

Sy

Sy

Nx

Nx

Sy

Sy

Certain material previously on this page now appears on 1st Revised Page 309.12.13.

x Issued under authority of Special Permission No. 97-203.

y Material effective July 1, 1997 under Transmittal No. 1107.

(TR1111)

Issued: June 30, 1997

Effective: July 1, 1997

ACCESS SERVICE

7. Special Access Service (Cont'd)

7.4 Rate Regulations (Cont'd)

7.4.16 Ameritech Enhanced Performance Assurance Program (Cont'd)

(C) Performance Measurements (Cont'd)

(8) Facilities Not Available

Upon customer's written request, the Company will provide customer with information that identifies the locations (by street address) of customer's DS1 and DS0 orders where facilities were not available at the time of the Company's receipt of the Access Service Request and the percentage of customer's overall orders where facilities were not available.

Nx  
Nx

x Issued under authority of Special Permission No. 97-203.

(TR1111)

Issued: June 30, 1997

Effective: July 1, 1997

Director, Federal Regulatory Planning & Policy, 4G62  
2000 W. Ameritech Center Drive  
Hoffman Estates, Illinois 60196-1025



ACCESS SERVICE

7. Special Access Service (Cont'd)

7.4 Rate Regulations (Cont'd)

7.4.16 Ameritech Enhanced Performance Assurance Program (Cont'd)

(C) Performance Measurements (Cont'd)

(8) Access Service Requests (ASRs)

ASRs submitted to the Company by customer must be valid and complete. ASRs received after 3:00 p.m. local time will be deemed received on the following business day. Incomplete or invalid ASRs (as described below) will be rejected by the Company and will not be counted as part of the database of orders until resubmitted in correct fashion. The Company will continue to process, and will not reject, ASRs where the incompleteness or inaccuracy can be remedied by customer without jeopardizing the Company's continued processing of the order. If ASRs that appear to be valid and complete turn out to contain incorrect or incomplete information that has an adverse impact on the Company's meeting the applicable performance standards, the orders will be counted as timely installations by the Company in connection with the performance standards set forth in this Paragraph 7.4.16.

The following is a list of ASR components that will either (a) cause an ASR to be rejected by Ameritech if the information is not populated when submitted by an access customer or (b) have an adverse impact on Ameritech's ability to meet the applicable performance standards if the information is found to be inaccurate after the ASR has been accepted for processing. An ASR defect therefore can be both the failure to input the required information and provision of inaccurate information.

**Request Type (REQTYP)** - Identifies the type of service being requested (Special Access or Switched Access) and the status of the ASR. When Special Access service is ordered, this field will be populated with:

- S Special Access
- D Firm Order.

**Activity (A)** - Identifies the circuit activity type. This code includes:

- N New Installation
- C Change
- M Inside move (within the same building)
- D Disconnect
- T Outside move within the Local Access Transport Area (LATA).

Certain material on this page previously appeared on Original Page 309.12.12.  
Certain material previously on this page now appears on Original Page 309.12.17 and Original Page 309.12.26.

x Issued under authority of Special Permission No. 97-203.  
y Material effective July 1, 1997 under Transmittal No. 1107.

(TR1111)

Issued: June 30, 1997

Effective: July 1, 1997

Director, Federal Regulatory Planning & Policy, 4G62  
2000 W. Ameritech Center Drive  
Hoffman Estates, Illinois 60196-1025

Sy

Sy  
Cx  
Sy

Sy

Nx

Nx

ACCESS SERVICE

7. Special Access Service (Cont'd)  
7.4 Rate Regulations (Cont'd)

7.4.16 Ameritech Enhanced Performance Assurance Program (Cont'd)

(C) Performance Measurements (Cont'd)

(8) Access Service Requests (ASRs) (Cont'd)

**Leg Activity (LEGACTION)** Identifies the type of order activity requested on a particular multipoint leg. This code includes:

- N New leg
- D Disconnect a leg
- C Change a leg
- M Inside move a leg
- K Cancel pending activity

**Exchange Company Circuit Identifier (ECCKT)** - Identifies the Exchange Company circuit ID and is required on all ASR activity types except N.

**Circuit Reference (CKR)** - Identifies the Interexchange Customer (IC) circuit ID.

**Access Customer Terminal Location (ACTL)** - The eleven (11) character Common Language Location Identifier (CLLI) code identifying the customer's Point of Presence (POP/InterLATA facility terminal location).

**Access Customer Name Abbreviation (ACNA)** - Identifies the three letter code of the Interexchange Customer (IC) to which the bill is to be rendered.

**Related Purchase Order Number (RPON)** - Identifies the Purchase Order Number (PON) of a released ASR.

**Design Control Contact (DSGCON)** - Identifies the customer or customer's employee who should be contacted on design/engineering matters and to whom the Design Layout Report (DLR) will be sent.

**Network Channel Interface Code (NCI) and Secondary Network Channel Interface Code (SECNCI)** - Identifies the electrical and signaling conditions of the originating (NCI) and terminating (SECNCI) equipment. This must be compatible with the Network Channel Code (NC) field.

**Transmission Level/Secondary Transmission Level (TLV/SECTLV)** - Identifies the required transmission level when a non-standard Network Channel Interface Code (NCI) Transmission Level or Secondary Network Channel Interface Code (SECNCI) Secondary Transmission Level (SECTLV) is required.

Nx

Nx

x Issued under authority of Special Permission No. 97-203.

(TR1111)

Issued: June 30, 1997

Effective: July 1, 1997

Director, Federal Regulatory Planning & Policy, 4G62  
2000 W. Ameritech Center Drive  
Hoffman Estates, Illinois 60196-1025

ACCESS SERVICE

7. Special Access Service (Cont'd)

7.4 Rate Regulations (Cont'd)

7.4.16 Ameritech Enhanced Performance Assurance Program (Cont'd)

(C) Performance Measurements (Cont'd)

(8) Access Service Requests (ASRs) (Cont'd)

**Master Station (MST)** - An entry in this field identifies (for multipoint service) the Access Customer Terminal Location (ACTL) as:

- M Master
- A Alternate
- R Remove this leg as the Master or Alternate leg.

**Circuit Location Telephone Company Wire Center (CKLT)** - An eight (8) character CLLI Code identifies the Central Office where the first bridge of a multipoint circuit is located.

**Number Service Leg (NSL)** - Identifies the number of multipoint legs requested that are needed.

**General Exchange Tariff Offering (GETO)** - Identifies that inside wiring is required and who is to be billed for it.

**Connecting Facility Assignment (CFA)** - Identifies the facility to which the circuit is connected. This entry must be validated and be available for assignment.

**Secondary Connecting Facility Assignment (SCFA)** - Identifies the facility when a through connection or cross connection is requested.

**Multiplex Location (MUXLOC)** - Required when the CFA field is populated. It is the multiplexing Central Office CLLI Code shown in the Connecting Facility Assignment (CFA) entry.

**Secondary Location (SECLOC)** - Identifies the terminating end of the circuit. This is either an end user name (preceded by the alpha E) or a CLLI Code (preceded by the alpha C).

**Street** - Identifies the end user street address.

**BLDG, FL and RM** - Identifies specific location information at the end user location.

**City and State** - Identifies the city and state of the end user location.

x Issued under authority of Special Permission No. 97-203.

(TR1111)

Issued: June 30, 1997

Effective: July 1, 1997

ACCESS SERVICE

7. Special Access Service (Cont'd)

7.4 Rate Regulations (Cont'd)

7.4.16 Ameritech Enhanced Performance Assurance Program (Cont'd)

(C) Performance Measurements (Cont'd)

(8) Access Service Requests (ASRs) (Cont'd)

**Other Telephone Company (OTC)** - Identifies the other local exchange company (their EC) code involved in a meet point billing request.

**Access Service Coordination (ASCEC)** - Identifies the Access provider Customer Service Center code of the Access Service Coordination Exchange Company whenever an access service passes through more than one access provider's territory.

**Coordinated Conversion (CCVN)** - Identifies a request as being a coordinated conversion re-using a portion of an existing access service.

Nx  
Nx

x Issued under authority of Special Permission No. 97-203.

(TR1111)

Issued: June 30, 1997

Effective: July 1, 1997

Director, Federal Regulatory Planning & Policy, 4G62  
2000 W. Ameritech Center Drive  
Hoffman Estates, Illinois 60196-1025

ACCESS SERVICE

7. Special Access Service (Cont'd)

7.4 Rate Regulations (Cont'd)

7.4.16 Ameritech Enhanced Performance Assurance Program (Cont'd)

(C) Performance Measurements (Cont'd)

(9) Customer and Other Telco Jeopardies

"Customer jeopardies" are occurrences caused by either the access customer or the access customer's end user that prevent the Company from performing in timely fashion its tasks in connection with installation or restoral of DS1 or DS0 service.

"Other Telco jeopardies" are occurrences caused by telephone companies other than Ameritech and the access customer that prevent the Company from performing in timely fashion its tasks in connection with installation or restoral of DS1 or DS0 service.

Customer and Other Telco jeopardies will be counted as timely installations or restorations by the Company in connection with the performance standards set forth in this Paragraph 7.4.16.

(a) Customer Jeopardy Codes

The following customer jeopardies will excuse the Company's inability to install or restore DS0 or DS1 service in accordance with the performance standards set forth in this Paragraph 7.4.16.

For purposes of customer jeopardies, "customer" means telecommunications carriers (including interexchange carriers) and end users.

**C01Customer Not Ready** - Customer is not ready for service at time of prearranged installer visit. Includes cases where customer furnished items (e.g., conduit, outlets, CPE) are unsatisfactory or have not been furnished.

**C02No Access** - Installer unable to gain access to customer's premises to complete work. Includes cases where someone other than the customer is to provide access, and the designated person cannot be located. Also used when completion of function cannot be met due to lack of access to company facilities (e.g., riser closet, building, house cable, etc.).

**C03Order Completed without Customer Acceptance** - Pre-service testing completed, but customer unavailable to accept the circuit as working.

Certain material on this page previously appeared on Original Page 309.12.13.

x Issued under authority of Special Permission No. 97-203.

y Material effective July 1, 1997 under Transmittal No. 1107.

(TR1111)

Issued: June 30, 1997

Effective: July 1, 1997

Director, Federal Regulatory Planning & Policy, 4G62  
2000 W. Ameritech Center Drive  
Hoffman Estates, Illinois 60196-1025

Myx

Myx  
Cx  
Myx

Nx

Nx

ACCESS SERVICE

7. Special Access Service (Cont'd)

7.4 Rate Regulations (Cont'd)

7.4.16 Ameritech Enhanced Performance Assurance Program (Cont'd)

(C) Performance Measurements (Cont'd)

(9) Customer and Other Telco Jeopardies (Cont'd)

(a) Customer Jeopardy Codes (Cont'd)

- C04 Change in Customer Requirements** - Customer requests different equipment or makes changes in service requirements subsequent to initial request.
- C05 No Status Reported** - Ordered work activity was completed, but was not referred to the control office, or was not reported to the Company. May be used to explain a jeopardy situation when the due date was actually met.
- C06 End User not Ready** - The end user is not ready for service at the time of the prearranged installer's visit. Includes cases where end user furnished items (e.g., conduit, outlets, CPE) are unsatisfactory or have not been furnished. This code may also indicate that the LCON (end user) is not aware that the service was ordered or where the service should be placed.
- C07 Order to Be Canceled** - The customer has decided to have the order canceled.
- C08 Supplement Required** - A supplement to the order is required.
- C09 Disconnect in Error** - Disconnect order was submitted by customer in error. The customer still wants the service.
- C10 Vendor/Contractor Owned Facilities** - Facilities owned by the vendor or contractor are not ready by the due date.
- C12 Missing or Incorrect Customer Name** - The customer name is missing or incorrect on the service order.
- C13 Missing or Incorrect CKL/Customer Address** - The CKL/Customer Address is missing or incorrect on the service order.

Nx

Nx

ACCESS SERVICE

7. Special Access Service (Cont'd)

7.4 Rate Regulations (Cont'd)

7.4.16 Ameritech Enhanced Performance Assurance Program (Cont'd)

(C) Performance Measurements (Cont'd)

(9) Customer and Other Telco Jeopardies (Cont'd)

(a) Customer Jeopardy Codes (Cont'd)

**C14 Missing or Incorrect CFA** - The Customer Facility Assignment (CFA) is missing or incorrect on the service order.

**C15 Missing or Incorrect LCON** - The Local Contact (LCON) is missing or incorrect on the service order.

(b) Other Telco Jeopardy Codes

“Other Telco” means a franchised non-Ameritech company engaged in providing any type of bundled local telecommunications service (and for the purposes of Other Telco Jeopardies includes the other telco’s end user).

For purposes of Other Telco Jeopardies, “customer” means the other Telco’s telecommunications carrier customers (including interexchange carriers) and their end users. These Other Telco Jeopardy codes are assigned by the Company control center personnel based on information that is provided to the Company by the other telco’s operation organization.

The following Other Telco Jeopardies will excuse the Company’s liability to install or restore DSO or DS1 service in accordance with the performance standards set forth in this Paragraph 7.4.16.

**D01 Customer Not Ready** - Customer is not ready for service at time of prearranged installer visit. Includes cases where customer furnished items (e.g., conduit, outlets, CPE) are unsatisfactory or have not been furnished.

**D02 No Access** - Installer unable to gain access to customer’s premises to complete work. Includes cases where someone other than the customer is to provide access, and the designated person cannot be located. Also used when completion of function cannot be met due to lack of access to customer facilities (e.g., riser closet, building, house cable, etc.).

Nx

Nx

ACCESS SERVICE

7. Special Access Service (Cont'd)

7.4 Rate Regulations (Cont'd)

7.4.16 Ameritech Enhanced Performance Assurance Program (Cont'd)

(C) Performance Measurements (Cont'd)

(9) Customer and Other Telco Jeopardies (Cont'd)

(b) Other Telco Jeopardy Codes (Cont'd)

**D03 Order Completed without Customer Acceptance** - Pre-service testing completed, but customer unavailable to accept the circuit as working.

**D04 Change in Customer Requirements** - Customer requests different equipment or makes changes in service requirements subsequent to the initial request.

**D05 No Status Reported** - Ordered work activity was completed by the other telco's field technician, but was not referred to the control office, or was not reported to the Company. May be used to explain a jeopardy situation when the due date was actually met, but was not reported to the Company properly.

**D06 End User not Ready** - The end user is not ready for service at the time of the prearranged installer's visit. Includes cases where end user furnished items (e.g., conduit, outlets, CPE) are unsatisfactory or have not been furnished. This code may also indicate that the LCON (end user) is not aware that the service was ordered or where the service should be placed.

**D07 Order to Be Canceled** - The customer has decided to have the order canceled.

**D08 Supplement Required** - A supplement to the order is required.

**D09 Disconnect in Error** - Disconnect order was submitted by customer in error. The customer still wants the service.

**D10 Vendor/Contractor Owned Facilities** - Facilities owned by the vendor or contractor are not ready by the due date.

**D11 Incorrect Order Distribution** - Order not distributed to responsible work groups or distributed to incorrect work groups.

Nx

Nx

x Issued under authority of Special Permission No. 97-203.

(TR1111)

Issued: June 30, 1997

Effective: July 1, 1997

Director, Federal Regulatory Planning & Policy, 4G62  
2000 W. Ameritech Center Drive  
Hoffman Estates, Illinois 60196-1025



ACCESS SERVICE

7. Special Access Service (Cont'd)

7.4 Rate Regulations (Cont'd)

7.4.16 Ameritech Enhanced Performance Assurance Program (Cont'd)

(9) Customer and Other Telco Jeopardies (Cont'd)

(b) Other Telco Jeopardy Codes (Cont'd)

**D12 Facility Order Not Complete** - The order to install either interoffice or local facilities is not completed by the other Telco in time to complete the service order.

**D13 Problems with Related Work Document** - Related work document issued with erroneous and/or insufficient information, or not issued or issued late. Also, used if related order not distributed to responsible work groups, or distributed to incorrect work groups.

**D14 Related Work Document not Completed** - Physical work on related work document not completed in manner to allow primary order to be completed by due date.

**D15 Incorrect Work Document not Completed** - Work document pertinent to an order not distributed to responsible work groups, or distributed to incorrect work groups. Does not include service order, but includes other Telco's internal engineering documents.

**D16 Late Work Document** - Work document required to process order not issued by expected date. Does not include service order, but includes other Telco's internal engineering documents.

**D17 Incorrect/Incomplete Work Document** - Work document pertinent to an order issued with erroneous or insufficient information. Does not include service order or routing translations, but includes other Telco's internal engineering documents.

Nx

Nx

x Issued under authority of Special Permission No. 97-203.

(TR1111)

Issued: June 30, 1997

Effective: July 1, 1997

Director, Federal Regulatory Planning & Policy, 4G62  
2000 W. Ameritech Center Drive  
Hoffman Estates, Illinois 60196-1025

ACCESS SERVICE

7. Special Access Service (Cont'd)

7.4 Rate Regulations (Cont'd)

7.4.16 Ameritech Enhanced Performance Assurance Program (Cont'd)

(C) Performance Measurements (Cont'd)

(9) Customer and Other Telco Jeopardies (Cont'd)

(b) Other Telco Jeopardy Codes (Cont'd)

- D19 Non-Receipt of Work Document** - Work document required to process order not received. Does not include service order, but includes other Telco's internal engineering documents.
- D20 Local Facilities not available or Incorrect** - Local facilities unavailable or correct local facilities not assigned.
- D21 Network Terminal Equipment Not Available (Exclusive of Plug-Ins)** - Central Office network terminating equipment unavailable at time of assignment.
- D22 Interoffice Facilities not Available** - Interoffice facilities unavailable at time of assignment.
- D23 Switching Equipment not Available** - Switching equipment (line, trunk or common equipment) unavailable at time of assignment.
- D24 Assignment Problems** - Any facilities (including intra-wire center tie cables) and/or Central Office equipment assignment (including options, switch setting, etc.) not issued on time. Does not include incomplete equipment or facility installation.
- D25 Interoffice Facility Defective** - Specified interoffice facility defective.
- D26 Local Facility Defective** - Specified local facility defective.
- D28 Unable to Meet Design Requirements** - Completion of function not met because pre-service tests do not meet design parameters.

Nx

Nx

x Issued under authority of Special Permission No. 97-203.

(TR1111)

Issued: June 30, 1997

Effective: July 1, 1997

Director, Federal Regulatory Planning & Policy, 4G62  
2000 W. Ameritech Center Drive  
Hoffman Estates, Illinois 60196-1025

ACCESS SERVICE

7. Special Access Service (Cont'd)

7.4 Rate Regulations (Cont'd)

7.4.16 Ameritech Enhanced Performance Assurance Program (Cont'd)

(C) Performance Measurements (Cont'd)

(9) Customer and Other Telco Jeopardies (Cont'd)

(b) Other Telco Jeopardy Codes (Cont'd)

- D33 Network Interface Equipment Problems** - Other telco's network interface equipment at customer premises installed late, installed incorrectly, not installed or is defective.
- D34 Work Force** - Heavy work load conditions, force shortages, work restrictions (e.g., no overtime) or lack of qualified personnel prevent a given work group from completing its functions.
- D35 Plug-In Problems** - Plug-in equipment is either not on site or defective or not the type specified on the work document.
- D45 Previous Order not Completed** - Previous order (e.g., disconnect Engineering order, etc.) upon which establishment of this order depends is not completed or not completed on time.
- D46 Weather/Disaster/Work Stoppage** - Inclement weather, disaster or work stoppage prevents completion of a function in the provisioning process.
- D47 Field Work Incomplete** - The outside or inside field force work is not complete.

Nx

Nx

x Issued under authority of Special Permission No. 97-203.

(TR1111)

Issued: June 30, 1997

Effective: July 1, 1997

Director, Federal Regulatory Planning & Policy, 4G62  
2000 W. Ameritech Center Drive  
Hoffman Estates, Illinois 60196-1025

ACCESS SERVICE

7. Special Access Service (Cont'd)

7.4 Rate Regulations (Cont'd)

7.4.16 Ameritech Enhanced Performance Assurance Program (Cont'd)

(B) Descriptions and Definitions (Cont'd)

(9) Customer and Other Telco Jeopardies (Cont'd)

(b) Other Telco Jeopardy Codes (Cont'd)

**D48 Training/Methods & Procedures** - Work cannot progress due to a lack of training and/or procedures.

**D50 Connecting Company Related Information not Available** - The service order involves another exchange provider (Independent Telco) and the connecting company related information is not available.

**D52 Supplement in Error** - A supplement to the order is incorrectly issued.

**D53 Order Issued Late** - The service order was issued late from marketing.

(10) Circumstances Beyond the Company's Control

(a) If an Act of God occurs (e.g., catastrophic weather conditions) that has a severe impact on the Company's ability to provision and repair service, the Company will be excused, for the duration of the situation, from the performance measures set forth herein. Any such temporary exemption will apply only to the dispatch area(s) directly affected by the situation, and the Company will return to the levels of performance required hereunder as promptly as is reasonably practicable. To the extent additional dispatch areas are impacted by such a situation, the Company will give prompt notice to customer of the scope and nature of such impact so the parties can determine whether additional temporary exemptions from the applicable performance measures are appropriate.

(b) The Company will also be excused from the performance measures set forth herein in the case of a labor dispute that results in a union-authorized work stoppage. The Company will be excused for the duration of the work stoppage, but will nonetheless attempt to return to the levels of performance required hereunder as promptly as is reasonable practicable.

Nx

Nx

Myx

Myx

Certain material on this page previously appeared on Original Page 309.12.13.

x Issued under authority of Special Permission No. 97-203.

y Material effective July 1, 1997 under Transmittal No. 1107.

(TR1111)

Issued: June 30, 1997

Effective: July 1, 1997

Director, Federal Regulatory Planning & Policy, 4G62  
2000 W. Ameritech Center Drive  
Hoffman Estates, Illinois 60196-1025

ACCESS SERVICE

Dx

Dx

x Issued under authority of Special Permission No. 92-600.

Issued: August 24, 1992

Effective: August 25, 1992

Assistant Vice President, 4F08  
2000 W. Ameritech Center Drive  
Hoffman Estates, Illinois 60196-1025

**ACCESS SERVICE**

D

D

---

**Issued: January 9, 1995**

**Effective: February 23, 1995**

**Director, Federal Regulatory Planning & Policy, 4G62  
2000 W. Ameritech Center Drive  
Hoffman Estates, Illinois 60196-1025**

ACCESS SERVICE

7. Special Access Services (Cont'd)

7.4 Rate Regulations (Cont'd)

D

D

(TR857)

---

Issued: January 9, 1995

Effective: February 23, 1995

Director, Federal Regulatory, 4F20  
2000 W. Ameritech Center Drive  
Hoffman Estates, Illinois 60196-1025

**ACCESS SERVICE**

**7. Special Access Services (Cont'd)**

**7.4 Rate Regulations (Cont'd)**

D

D

**(TR857)**

---

**Issued: January 9, 1995**

**Effective: February 23, 1995**

**Director, Federal Regulatory, 4F20  
2000 W. Ameritech Center Drive  
Hoffman Estates, Illinois 60196-1025**



**ACCESS SERVICE**

**7. Special Access Services (Cont'd)**

**7.4 Rate Regulations (Cont'd)**

**7.4.17 Multiplexer Cross-Connection**

Multiplexer Cross-Connection (MCC) will be charged per cross-connect per central office, where the cross-connection is performed. If MCC is provided between two Telephone Company offices where multiplexing is performed, Channel Mileage and Channel Mileage Terminations for the lower speed service will apply between the two central offices along with one MCC charge per cross-connect per central office.

When one service is cross-connected to another service, the two cross-connected services are treated separately for service performance measurement and service interruption credit purposes.

If two customers are involved, one customer will be responsible for the entire billing of MCC. The responsible customer must obtain a Letter of Authorization (LOA) from the second customer and submit it to the Telephone Company with the DS1 and/or DS3 system and channel assignment information for the lower speed services being cross-connected.

(T)  
(T)

(This page filed under Transmittal No. 1357)

Issued: October 6, 2003

Effective: October 21, 2003

One SBC Plaza, Dallas, Texas 75202

**ACCESS SERVICE**

**7. Special Access Services (Cont'd)**

**7.4 Rate Regulations (Cont'd)**

**7.4.18 Nonrecurring Charge (NRC) Waiver**

The NRC Waiver is a one time offering that for a limited period of time waives certain nonrecurring installation and service rearrangement charges for DS1, DS3 and Synchronous Optical Network (SONET) based services, i.e., OC-3, OC-12, OC-48, Dedicated Ring Services, etc. (T)

Nonrecurring charges, including any associated Administrative, Design and Central Office Connection Charges and Customer Connection Charges will be waived only for orders requesting the following:

- (a) Installation of all SONET based services.
- (b) Installation of a new DS1 or DS3 service for connection to a new or existing SONET based service. (T)
- (c) Rehomeing an existing DS1 or DS3 service to a new or existing SONET based service. (T)

The NRC Waiver will be available from November 1, 1995, until January 31, 1996.

The NRC Waiver will apply to any orders for service received between November 1, 1995 and January 31, 1996, with a due date no later than April 1, 1996.

(This page filed under Transmittal No. 1357)

Issued: October 6, 2003

Effective: October 21, 2003

One SBC Plaza, Dallas, Texas 75202

## ACCESS SERVICE

## 7. Special Access Service (cont'd)

## 7.4 Rate Regulations (cont'd)

## 7.4.19 Shared Facility Credit/Shared Facility Channel Service

DS3 Service customers who allow the Telephone Company use of their Ameritech-provided DS3 service for the provision of Shared Facility Channel Service to other Telephone Company customers may elect to receive a credit for that portion of the DS3 service used to provide the Shared Facility Channel Service. The credit will be based on the DS1 capacity of the DS3 service components (i.e., 1/28th of the monthly rates for a DS3 LDC with an Electrical Interface, DS3 Service Package with an Optical Interface and the DS3 Service Channel, DS3 to DS1 Multiplexer and, if appropriate, DS3 Channel Mileage Terminations and Channel Mileage). For DS3 LDCs with an Electrical Interface, the SFC will be calculated after application of Volume Pricing Plan discounts as described in 7.4.10 I preceding. In any month, the total SFC for any DS3 service element shall not exceed 100 percent of the monthly rate for the element. (T)

The following terms and conditions apply to all DS3 Shared Facility Credit/Shared Facility Channel Service arrangements.

- (A) The customer of the DS3 service cannot be the same as the customer of the Shared Facility Channel Service. (T)
- (B) The Telephone Company and the DS3 customer must agree to work cooperatively to maintain accurate customer records of any SFC arrangements. The customer records which must be jointly maintained are:
- connecting facility assignments by Shared Facility Channel customer and
  - additions, moves, or deletions of Shared Facility Channel customers onto or off of the DS3 service.

If the DS3 customer does not cooperate to maintain these customer records, the existing affected SFC arrangement(s) will be discontinued and additional SFC arrangements will not be established.

- (C) SFC can be established on Special Access DS3s for connection to Special Access DS1s only. If a Shared Facility Service channel of a DS3 service becomes vacant subsequent to the establishment of a DS3 SFC arrangement (e.g., the Ameritech DS1 customer disconnects service), SFC will be eliminated for that channel.

(This page filed under Transmittal No. 1357)

Issued: October 6, 2003

Effective: October 21, 2003

## ACCESS SERVICE

**7. Special Access Service (cont'd)****7.4 Rate Regulations (cont'd)****7.4.19 Shared Facility Credit/Shared Facility Channel Service (cont'd)**

- (D) The Telephone Company will only remove a Shared Facility Channel Service customer from the DS3 SFC arrangement at the request of the DS3 customer or because the DS1 customer has discontinued service or moved service to a different transport facility. In the event the DS3 SFC arrangement is terminated without any physical change to the serving arrangement, the DS3 customer may request a Shared Network Arrangement, as described in Section 5.2 (A). In the event a Shared Network Arrangement is converted to an SFC arrangement without any physical change to the serving arrangement, the Shared Facility Channel Service nonrecurring charge will not apply. (T)
- (E) In the event, a billing dispute is initiated by a Shared Facility Channel Service customer, the Telephone Company will negotiate with the Shared Facility Channel Service customer as set forth in Section 2.4, preceding.
- (F) The Telephone Company will accept requests to disconnect the DS3 service only from the DS3 service customer. The DS3 customer is responsible for notifying each DS1 customer utilizing a channel of the DS3 under a SFC arrangement. Notification must be completed no later than 10 business days before the DS3 is scheduled to be disconnected; otherwise, the DS3 may not be disconnected and billing of all services will continue.
- (G) Each customer must agree to work cooperatively with the Telephone Company to ensure proper installation, testing, maintenance, and repair of the affected DS3 or DS1 service(s). The DS3 customer must immediately release its service and arrange for the immediate release, if necessary, of any other Shared Facility Channel Service riding that DS3 service, for repair purposes, when requested by the Telephone Company. Failure to release shall result in the immediate termination of the SFC arrangements for that service (DS3), and that customer being liable for any service credits that the Telephone Company may owe the DS3 or other Shared Facility Channel customer riding that DS3 service.

(This page filed under Transmittal No.1551)

Issued: May 11, 2006

Effective: May 26, 2006

Four AT&T Plaza, Dallas, Texas 75202

ACCESS SERVICE

7. Special Access Service (cont'd)

7.4 Rate Regulations (cont'd)

(D)

(D)

(This page filed under Transmittal No. 1289)

Issued: February 20, 2002

Effective: March 7, 2002

One Bell Plaza, Dallas, Texas 75202

(T)  
(D)  
(D)

ACCESS SERVICE

7. Special Access Service (cont'd)

7.4 Rate Regulations (cont'd)

(D)

(D)

(This page filed under Transmittal No. 1289)

Issued: February 20, 2002

Effective: March 7, 2002

One Bell Plaza, Dallas, Texas 75202

(T)  
(D)  
(D)

ACCESS SERVICE

7. Special Access Service (Cont'd)

7.5 Rates and Charges

Rates are subject to subsequent adjustment, effective retroactively in light of USTA v. FCC, (Case No. 97-1469) (slip. op. May 21, 1999) (D.C. Cir.), or pursuant to pending motions or petitions or any other adjustment pursuant to a Commission or court order.

7.5.1 Metallic Service

	USOC	Monthly Rate	
(A) Local Distribution Channel			
- Per point of termination			
- All states	TNJD2	\$17.90(I)	
(B) Channel Mileage Termination			
- Per point of mileage termination			
- All states	CM6	None	
(C) Channel Mileage*			
- Per mile			
- All states	1L5XX	9.46(I)	
(D) Optional Features and Functions	USOC	Monthly Rate	Nonrecurring Charge
(1) Bridging			
(a) Three Premises Bridging			
- Per Port			
- All states	BCNM3	\$4.21(I)	None
(b) Series Bridging			
- Per Port			
- All states	BCNMS	2.68(I)	None

\* Metallic circuits beyond five miles are limited to existing circuits.

(This page filed under Transmittal No. 1250)

ACCESS SERVICE

7. Special Access Service (Cont'd)

7.5 Rates and Charges (Cont'd)

- x State specific rates previously appearing on this page now appear as aggregate rates on 16th Revised Page 310.
- y Reissued material scheduled to become effective October 30, 1989 under Transmittal No. 369

---

Issued: September 29, 1989

Effective: November 13, 1989

Assistant Vice President  
10 S. Wacker Drive, Floor 22  
Chicago, Illinois 60606



ACCESS SERVICE

7. Special Access Service (Cont'd)

7.5 Rates and Charges (Cont'd)

- x State specific rates previously appearing on this page now appear as aggregate rates on 16th Revised Page 310.
- y Reissued material scheduled to become effective October 30, 1989 under Transmittal No. 369

---

**Issued: September 29, 1989**

**Effective: November 13, 1989**

**Assistant Vice President  
10 S. Wacker Drive, Floor 22  
Chicago, Illinois 60606**

ACCESS SERVICE

7. Special Access Service (Cont'd)

7.5 Rates and Charges (Cont'd)

7.5.1

x Issued on not less than 15 days' notice under authority of Special Permission No. 87-56.

---

Issued: February 4, 1987

Effective: February 19, 1987

Assistant Vice President  
10 S. Wacker Drive, Floor 22  
Chicago, Illinois 60606

ACCESS SERVICE

7. Special Access Service (Cont'd)

7.5 Rates and Charges (Cont'd)

- x State specific rates previously appearing on this page now appear as aggregate rates on 16th Revised Page 310.
- y Reissued material scheduled to become effective October 30, 1989 under Transmittal No. 369.

---

Issued: September 29, 1989

Effective: November 13, 1989

Assistant Vice President  
10 S. Wacker Drive, Floor 22  
Chicago, Illinois 60606

ACCESS SERVICE

7. Special Access Service (Cont'd)

7.5 Rates and Charges (Cont'd)

- x State specific rates previously appearing on this page now appear as aggregate rates on 16th Revised Page 310.
- y Reissued material scheduled to become effective October 30, 1989 under Transmittal No. 369.

---

Issued: September 29, 1989

Effective: November 13, 1989

Assistant Vice President  
10 S. Wacker Drive, Floor 22  
Chicago, Illinois 60606

ACCESS SERVICE

7. Special Access Service (Cont'd)

7.5 Rates and Charges (Cont'd)

7.5.2 Telegraph Grade Service

	USOC	Monthly Rate	
(A) Local Distribution Channel			
- Per point of termination			
- Two-Wire			
- All states	T6E2X	\$32.83(I)	
- Four-Wire			
- All states	T6E4X	37.34(I)	
(B) Channel Mileage Termination			
- Per point of mileage termination			
- All states	CM6	14.97(I)	
(C) Channel Mileage			
- Per mile			
- All states	1L5XX	1.39(I)	
(D) Optional Features and Functions	USOC	Monthly Rate	Nonrecurring Charge
(1) Telegraph Bridging Two-Wire and Four-Wire			
- Per port			
- Two-Wire			
- All states	BCNT2	\$8.92(I)	None
- Four-Wire			
- All states	BCNT4	12.65(I)	None

(This page filed under Transmittal No. 1250)

**ACCESS SERVICE**

**7. Special Access Service (Cont'd)**

**7.5 Rates and Charges (Cont'd)**

- x State specific rates previously appearing on this page now appear as aggregate rates on 17th Revised Page 315.
- y Reissued material scheduled to become effective October 30, 1989 under Transmittal No. 369.

---

**Issued: September 29, 1989**

**Effective: November 13, 1989**

**Assistant Vice President  
10 S. Wacker Drive, Floor 22  
Chicago, Illinois 60606**

ACCESS SERVICE

7. Special Access Service (Cont'd)

7.5 Rates and Charges (Cont'd)

- x State specific rates previously appearing on this page now appear as aggregate rates on 17th Revised Page 315.
- y Reissued material scheduled to become effective October 30, 1989 under Transmittal No. 369.

---

Issued: September 29, 1989

Effective: November 13, 1989

Assistant Vice President  
10 S. Wacker Drive, Floor 22  
Chicago, Illinois 60606

ACCESS SERVICE

7. Special Access Service (Cont'd)

7.5 Rates and Charges (Cont'd)

7.5.1

x Issued on not less than 15 days' notice under authority of Special Permission No. 87-56.

---

Issued: February 4, 1987

Effective: February 19, 1987

Assistant Vice President  
30 S. Wacker Drive, Suite 3916  
Chicago, Illinois 60606



ACCESS SERVICE

7. Special Access Service (Cont'd)

7.5 Rates and Charges (Cont'd)

- x State specific rates previously appearing on this page now appear as aggregate rates on 17th Revised Page 315.
- y Reissued material scheduled to become effective October 30, 1989 under Transmittal No. 369.

---

Issued: September 29, 1989

Effective: November 13, 1989

Assistant Vice President  
10 S. Wacker Drive, Floor 22  
Chicago, Illinois 60606

ACCESS SERVICE

7. Special Access Service (Cont'd)

7.5 Rates and Charges (Cont'd)

- x State specific rates previously appearing on this page now appear as aggregate rates on 17th Revised Page 315.
- y Reissued material scheduled to become effective October 30, 1989 under Transmittal No. 369.

---

Issued: September 29, 1989

Effective: November 13, 1989

Assistant Vice President  
10 S. Wacker Drive, Floor 22  
Chicago, Illinois 60606

ACCESS SERVICE

7. Special Access Service (Cont'd)

7.5 Rates and Charges (Cont'd)

7.5.3 Direct Analog Service

	USOC	Monthly Rate	Discount Commitment Program	
			36 Mo.	60 Mo.
(A) Local Distribution Channel				
(1) Direct Analog Service				
- Per point of termination				
- Two-Wire				
- All states	T6E2X	\$22.40(I)	\$20.50	\$20.00
- Four-Wire				
- All states	T6E4X	30.00(I)	26.00	25.00
(2) Dedicated Access Line				
- Per point of termination*				
- Two Wire				
- All states	X2W	\$22.40(I)	\$20.50	\$20.00
- Four Wire				
- All states	X4W	34.00	31.00	28.00
(B) Channel Mileage Termination				
- Per point of mileage termination				
- All states	CM6	13.00	11.50	10.00
(C) Channel Mileage				
- Per mile				
- All states	1L5XX	.90	.70	.65
(D) Optional Features and Functions	USOC	Monthly Rate	Nonrecurring Charge	
(1) Bridging				
(A) Voice and DAL Bridging				
Two-Wire/ Four Wire				
- Per Port				
- Two-Wire				
- All states	BCNV2	\$7.85	None	
- Four-Wire				
- All states	BCNV4	6.20	None	

\*One Local Distribution Channel applies per Dedicated Access Line (DAL).

(This page filed under Transmittal No. 1560)

ACCESS SERVICE

7. Special Access Service (Cont'd)

7.5 Rates and Charges (Cont'd)

7.5.3 Direct Analog Service (Cont'd)

	USOC	Monthly Rate	Nonrecurring Charge
(D) Optional Features and Functions (Cont'd)			
(1) Bridging (Cont'd)			
(b) Data Bridging			
Two-Wire/our-Wire			
- Per Port			
- Two-Wire			
- All states	BCND2	\$5.75	None
- Four-Wire			
- All states	BCND4	7.50(R)	None
(c) Telephoto Bridging			
Two-Wire/Four-Wire			
- Per Port			
- Two-Wire			
- All states	BCNF2	8.43	None
- Four-Wire			
- All states	BCNF4	7.80(R)	None
(d) Dataphone Select-A			
Station Bridging			
Sequential			
Arrangement Ports			
- Per Two-Wire			
channel connected			
- Indiana and Ohio	DQ2	25.24	None
- All others	DQ2	ICB	None
- Per Four-Wire			
channel connected			
- Indiana and Ohio	DQ4	98.20	None
- All others	DQ4	ICB	None

ICB rates and charges are filed in 7.6 following.

**Rates contained in this transmittal are subject to subsequent adjustment, effective retrospectively, in the event the Commission or a court subsequently authorizes Ameritech to correct its rates pursuant to pending motions, or petitions for reconsideration or waiver, or in the event of any other adjustment to an order of the Commission or a court.**

(This page filed under Transmittal No. 1347)

ACCESS SERVICE

7. Special Access Service (Cont'd)

7.5 Rates and Charges (Cont'd)

7.5.3 Direct Analog Service (Cont'd)

	USOC	Monthly Rate	Nonrecurring Charge
(D) Optional Features and Functions (Cont'd)			
(1) Bridging (Cont'd)			
(d) <b>Dataphone Select-A-Station Bridging</b> (Cont'd) Addressable Arrangement			
- Per Two-Wire channel connected			
Indiana and Ohio	KQ2	\$24.19 R	None
All others	KQ2	ICB	None
- Per Four-Wire channel connected			
Indiana and Ohio	KQ4	\$99.95 R	None
All others	KQ4	ICB	None
(e) <b>Telemetry and Alarm Bridging</b> Active Bridging Channel Connections Split Band			
-Per channel connected	CNLRX	ICB	None
Summation -Per channel connected	BCNSA	ICB	None

ICB rates and charges are filed in 7.6 following.

(TR717)

Issued: June 17, 1993

Effective: July 1, 1993

ACCESS SERVICE

7. Special Access Service (Cont'd)

7.5 Rates and Charges (Cont'd)

7.5.3 Direct Analog Service (Cont'd)

	USOC	Monthly Rate	Nonrecurring Charge
(D) Optional Features and Functions (Cont'd)			
(1) Bridging (Cont'd)			
(e) Telemetry and Alarm Bridging (Cont'd) Passive Bridging Channel Connections			
- Per channel connected	BCNTP	ICB	None
(2) Conditioning			
- Per point of termination			
C - Type			
- All states	X1CPT	\$5.10(R)	None
Improved Attenuation Distortion			
- All states	UHW	5.75(R)	\$ 77.55
Improved Envelope Delay Distortion			
- All states	UHY	66.90(R)	310.20
Sealing Current			
- All states	1HBPT	None	None

Rates contained in this transmittal are subject to subsequent adjustment, effective retrospectively, in the event the Commission or a court subsequently authorizes Ameritech to correct its rates pursuant to pending motions, or petitions for reconsideration or waiver, or in the event of any other adjustment to an order of the Commission or a court.

(This page filed under Transmittal No. 1347)

ACCESS SERVICE

7. Special Access Service (Cont'd)

7.5 Rates and Charges (Cont'd)

7.5.3 Direct Analog Service (Cont'd)

	USOC	Rate	Monthly Charge	Nonrecurring
(D) Optional Features and Functions (Cont'd)				
(3) Improved Return Loss for Effective Two-Wire Transmission				
- Per point of termination				
- Two-Wire				
- All states	1RL2W	\$ 2.35(R)		None
(4) Improved Termination				
- Per point of termination				
- Four-Wire				
- All states	CP6	2.05(R)		None
(5) Customer Specified Receive Level				
- Per point of termination				
- All states	RLS	.75(R)		None
(6) Multiplexing to Telegraph Grade				
- Per arrangement				
- All states	MQX	223.40		None
(7) Data Capability				
- Per point of termination				
- All states	XDCPT	6.00		\$310.20
(8) Telephoto Capability				
- Per point of termination				
- All states	XTCPT	5.77		310.20

Rates contained in this transmittal are subject to subsequent adjustment, effective retrospectively, in the event the Commission or a court subsequently authorizes Ameritech to correct its rates pursuant to pending motions, or petitions for reconsideration or waiver, or in the event of any other adjustment to an order of the Commission or a court.

(This page filed under Transmittal No. 1347)

ACCESS SERVICE

7. Special Access Service (Cont'd)

7.5 Rates and Charges (Cont'd)

7.5.3 Direct Analog Service (Cont'd)

	USOC	Monthly Rate	Nonrecurring Charge
(D) Optional Features and Functions (Cont'd)			
(9) Signaling Capability			
- Per point of termination			
- All states	XSS++	\$2.00(R)	None
- In lieu of ++, substitute appropriate two digit code from following list of signaling.			
AB			
AC			
AH			
CT			
DS			
DX			
DY			
EA			
EB			
EC			
EX			
GO			
GS			
LA			
LB			
LC			
LO			
LR			
LS			
RV			
SE			
SF			

Rates contained in this transmittal are subject to subsequent adjustment, effective retrospectively, in the event the Commission or a court subsequently authorizes Ameritech to correct its rates pursuant to pending motions, or petitions for reconsideration or waiver, or in the event of any other adjustment to an order of the Commission or a court.

(This page filed under Transmittal No. 1270)



ACCESS SERVICE

7. Special Access Service (Cont'd)

7.5 Rates and Charges (Cont'd)

7.5.3 Direct Analog Service (Cont'd)

(D) Optional Features and Functions (Cont'd)	USOC	Monthly Rate	Nonrecurring Charge
(10) Code Select Signaling Arrangement - Per arrangement - All states	USZ	\$20.12(l)	None
(11) Transfer Arrangement (key activated* or dial-up**) - Per four port arrangement including termination for controlchannel***	USY	4.04(l)	None
- All states			
- Per five port arrangement including termination for control channel***	US5	8.95(l)	None
- All states			

\* The key activated control channel is rated as a Metallic Local Distribution Channel (use USOC T6EME in lieu of T6ECS) and Channel Mileage Terminations and Channel Mileage, if applicable (use USOC 1L5MX in lieu of 1L5XX).

\*\* The Dial-up option requires the customer to purchase the Controller Arrangement (USOC XTDDU) from 13.3.7 following.

\*\*\* An additional Local Distribution Channel charge will apply whenever a spare channel is configured as a leg to the customer's premises. Additional channel mileage charges will also apply when the transfer arrangement is not located in the customer premises serving wire center.

(This page filed under Transmittal No. 1250)

ACCESS SERVICE

7. Special Access Service (Cont'd)

7.5 Rates and Charges (Cont'd)

7.5.3 Direct Analog Service (Cont'd)

(D) Optional Features and Functions (Cont'd)	USOC	Monthly Rate	Nonrecurring Charge
(12) DAL Improved Voice Transmission Improved Two-Wire transmission specifications - Per two-wire point of termination - All states	X2T	None	None
Improved Four-Wire Voice Transmission with E&M Lead Interface Specifications - Per line - Illinois only - All others	4WV 4WV	\$241.10(I) Not Available	\$155.10(I) Not Available
(13) Line-Powered Data Station Termination Unit (Available with VG-6) - Per Point of Termination -All States	LUN	7.97(I)	None
(14) DS0 Fiber Hub Cross-Connection Direct Analog to Direct Analog 1 Day Notice 3 Days Notice	CX901 CX903	None None	206.80(I) 155.10(I)

(This page filed under Transmittal No. 1250)

ACCESS SERVICE

7. Special Access Service (Cont'd)

7.5 Rates and Charges (Cont'd)

7.5.3 Direct Analog Service (Cont'd)

- x State specific rates previously appearing on this page now appear as aggregate rates on 18th Revised Page 320.
- y Reissued material scheduled to become effective October 30, 1989 under Transmittal No. 369.

---

Issued: September 29, 1989

Effective: November 13, 1989

Assistant Vice President  
10 S. Wacker Drive, Floor 22  
Chicago, Illinois 60606

ACCESS SERVICE

7. Special Access Service (Cont'd)

7.5 Rates and Charges (Cont'd)

- x State specific rates previously appearing on this page now appear as aggregate rates on 15th Revised Page 321.
- y Reissued material scheduled to become effective October 30, 1989 under Transmittal No. 369.

---

Issued: September 29, 1989

Effective: November 13, 1989

Assistant Vice President  
10 S. Wacker Drive, Floor 22  
Chicago, Illinois 60606

ACCESS SERVICE

7. Special Access Service (Cont'd)

7.5 Rates and Charges (Cont'd)

x State specific rates previously appearing on this page now appear as aggregate rates on 3rd Revised Page 322.

y Reissued material scheduled to become effective October 30, 1989 under Transmittal No. 369.

(TR)

Issued: September 29, 1989

Effective: November 13, 1989

Assistant Vice President  
10 S. Wacker Drive, Floor 22  
Chicago, Illinois 60606

ACCESS SERVICE

7. Special Access Service (Cont'd)

7.5 Rates and Charges (Cont'd)

x State specific rates previously appearing on this page now appear as aggregate rates on 12th Revised Page 323.

y Reissued material scheduled to become effective October 30, 1989 under Transmittal No. 369.

(TR)

Issued: September 29, 1989

Effective: November 13, 1989

Assistant Vice President  
10 S. Wacker Drive, Floor 22  
Chicago, Illinois 60606

ACCESS SERVICE

7. Special Access Service (Cont'd)

7.5 Rates and Charges (Cont'd)

x State specific rates previously appearing on this page now appear as aggregate rates on 13th Revised Page 324.

y Reissued material scheduled to become effective October 30, 1989 under Transmittal No. 369.

---

Issued: September 29, 1989

Effective: November 13, 1989

Assistant Vice President  
10 S. Wacker Drive, Floor 22  
Chicago, Illinois 60606

ACCESS SERVICE

7. Special Access Service (Cont'd)

7.5 Rates and Charges (Cont'd)

x State specific rates previously appearing on this page now appear as aggregate rates on 15th Revised Page 325.

y Reissued material scheduled to become effective October 30, 1989 under Transmittal No. 369.

---

Issued: September 29, 1989

Effective: November 13, 1989

Assistant Vice President  
10 S. Wacker Drive, Floor 22  
Chicago, Illinois 60606



ACCESS SERVICE

7. Special Access Service (Cont'd)

7.5 Rates and Charges (Cont'd)

x State specific rates previously appearing on this page now appear as aggregate rates on 15th Revised Page 326.

y Reissued material scheduled to become effective October 30, 1989 under Transmittal No. 369.

---

Issued: September 29, 1989

Effective: November 13, 1989

Assistant Vice President  
10 S. Wacker Drive, Floor 22  
Chicago, Illinois 60606

ACCESS SERVICE

7. Special Access Service (Cont'd)

7.5 Rates and Charges (Cont'd)

x State specific rates previously appearing on this page now appear as aggregate rates on 14th Revised Page 326.1.

y Reissued material scheduled to become effective October 30, 1989 under Transmittal No. 369.

---

Issued: September 29, 1989

Effective: November 13, 1989

Assistant Vice President  
10 S. Wacker Drive, Floor 22  
Chicago, Illinois 60606

ACCESS SERVICE

7. Special Access Service (Cont'd)

7.5 Rates and Charges (Cont'd)

x State specific rates previously appearing on this page now appear as aggregate rates on 18th Revised Page 320.

y Reissued material scheduled to become effective October 30, 1989 under Transmittal No. 369.

---

Issued: September 29, 1989

Effective: November 13, 1989

Assistant Vice President  
10 S. Wacker Drive, Floor 22  
Chicago, Illinois 60606

ACCESS SERVICE

7. Special Access Service (Cont'd)

7.5 Rates and Charges (Cont'd)

x Issued on not less than 15 days' notice under authority of Special Permission  
No. 87-56.

---

Issued: February 4, 1987

Effective: February 19, 1987

Assistant Vice President  
30 S. Wacker Drive, Suite 3916  
Chicago, Illinois 60606

ACCESS SERVICE

7. Special Access Service (Cont'd)

7.5 Rates and Charges (Cont'd)

- x State specific rates previously appearing on this page now appear as aggregate rates on 15th Revised Page 321.
- y Reissued material scheduled to become effective October 30, 1989 under Transmittal No. 369.

---

**Issued: September 29, 1989**

**Effective: November 13, 1989**

**Assistant Vice President  
10 S. Wacker Drive, Floor 22  
Chicago, Illinois 60606**

ACCESS SERVICE

7. Special Access Service (Cont'd)

7.5 Rates and Charges (Cont'd)

x Issued on not less than 15 days' notice under authority of Special Permission  
No. 87-56.

---

Issued: February 4, 1987

Effective: February 19, 1987

Assistant Vice President  
30 S. Wacker Drive, Suite 3916  
Chicago, Illinois 60606

ACCESS SERVICE

7. Special Access Service (Cont'd)

7.5 Rates and Charges (Cont'd)

x State specific rates previously appearing on this page now appear as aggregate rates on 3rd Revised Page 322.

y Reissued material scheduled to become effective October 30, 1989 under Transmittal No. 369.

---

Issued: September 29, 1989

Effective: November 13, 1989

Assistant Vice President  
10 S. Wacker Drive, Floor 22  
Chicago, Illinois 60606

**ACCESS SERVICE**

**7. Special Access Service (Cont'd)**

**7.5 Rates and Charges (Cont'd)**

x Issued on not less than 15 days' notice under authority of Special Permission No. 87-56.

---

**Issued: February 4, 1987**

**Effective: February 19, 1987**

**Assistant Vice President  
30 S. Wacker Drive, Suite 3916  
Chicago, Illinois 60606**



ACCESS SERVICE

7. Special Access Service (Cont'd)

7.5 Rates and Charges (Cont'd)

x State specific rates previously appearing on this page now appear as aggregate rates on 12th Revised Page 323.

y Reissued material scheduled to become effective October 30, 1989 under Transmittal No. 369.

---

Issued: September 29, 1989

Effective: November 13, 1989

Assistant Vice President  
10 S. Wacker Drive, Floor 22  
Chicago, Illinois 60606

ACCESS SERVICE

7. Special Access Service (Cont'd)

7.5 Rates and Charges (Cont'd)

x Issued on not less than 15 days' notice under authority of Special  
Permission No. 87-56.

---

Issued: February 4, 1987

Effective: February 19, 1987

Assistant Vice President  
30 S. Wacker Drive, Suite 3916  
Chicago, Illinois 60606

ACCESS SERVICE

7. Special Access Service (Cont'd)

7.5 Rates and Charges (Cont'd)

x State specific rates previously appearing on this page now appear as aggregate rates on 13th Revised Page 324.

y Reissued material scheduled to become effective October 30, 1989 under Transmittal No. 369.

---

Issued: September 29, 1989

Effective: November 13, 1989

Assistant Vice President  
10 S. Wacker Drive, Floor 22  
Chicago, Illinois 60606

ACCESS SERVICE

7. Special Access Service (Cont'd)

7.5 Rates and Charges (Cont'd)

x Issued on not less than 15 days' notice under authority of  
Special Permission No. 87-56.

---

Issued: February 4, 1987

Effective: February 19, 1987

Assistant Vice President  
30 S. Wacker Drive, Suite 3916  
Chicago, Illinois 60606

ACCESS SERVICE

7. Special Access Service (Cont'd)

7.5 Rates and Charges (Cont'd)

- x State specific rates previously appearing on this page now appear as aggregate rates on 15th Revised Page 325.
- y Reissued material scheduled to become effective October 30, 1989 under Transmittal No. 369.

---

Issued: September 29, 1989

Effective: November 13, 1989

Assistant Vice President  
10 S. Wacker Drive, Floor 22  
Chicago, Illinois 60606

ACCESS SERVICE

7. Special Access Service (Cont'd)

7.5 Rates and Charges (Cont'd)

7.5.3

x Issued on not less than 15 days' notice under authority of Special  
Permission No. 87-56.

---

Issued: February 4, 1987

Effective: February 19, 1987

Assistant Vice President  
30 S. Wacker Drive, Suite 3916  
Chicago, Illinois 60606

ACCESS SERVICE

7. Special Access Service (Cont'd)

7.5 Rates and Charges (Cont'd)

x State specific rates previously appearing on this page now appear as aggregate rates on 15th Revised Page 326.

y Reissued material scheduled to become effective October 30, 1989 under Transmittal No. 369.

---

Issued: September 29, 1989

Effective: November 13, 1989

Assistant Vice President  
10 S. Wacker Drive, Floor 22  
Chicago, Illinois 60606

ACCESS SERVICE

7. Special Access Service (Cont'd)

7.5 Rates and Charges (Cont'd)

7.5.3

x Issued on not less than 15 days' notice under authority of Special  
Permission No. 87-56.

**Issued: February 4, 1987**

**Effective: February 19, 1987**

Director, Federal Regulatory, 4F20  
2000 W. Ameritech Center Drive  
Hoffman Estates, Illinois 60196-1025



ACCESS SERVICE

7. Special Access Service (Cont'd)

7.5 Rates and Charges (Cont'd)

- x State specific rates previously appearing on this page now appear as aggregate rates on 14th Revised Page 326.1.
- y Reissued material scheduled to become effective October 30, 1989 under Transmittal No. 369.

---

**Issued: September 29, 1989**

**Effective: November 13, 1989**

**Assistant Vice President  
10 S. Wacker Drive, Floor 22  
Chicago, Illinois 60606**

ACCESS SERVICE

7. Special Access Service (Cont'd)

7.5 Rates and Charges (Cont'd)

x State specific rates previously appearing on this page now appear as aggregate rates on 18th Revised Page 320.

y Reissued material scheduled to become effective October 30, 1989 under Transmittal No. 369.

---

Issued: September 29, 1989

Effective: November 13, 1989

Assistant Vice President  
10 S. Wacker Drive, Floor 22  
Chicago, Illinois 60606

**ACCESS SERVICE**

**7. Special Access Service (Cont'd)**

**7.5 Rates and Charges (Cont'd)**

x State specific rates previously appearing on this page now appear as aggregate rates on 15th Revised Page 321.

y Reissued material scheduled to become effective October 30, 1989 under Transmittal No. 369.

---

**Issued: September 29, 1989**

**Effective: November 13, 1989**

**Assistant Vice President  
10 S. Wacker Drive, Floor 22  
Chicago, Illinois 60606**

**ACCESS SERVICE**

**7. Special Access Service (Cont'd)**

**7.5 Rates and Charges (Cont'd)**

x State specific rates previously appearing on this page now appear as aggregate rates on 3rd Revised Page 322.

y Reissued material scheduled to become effective October 30, 1989 under Transmittal No. 369.

---

**Issued: September 29, 1989**

**Effective: November 13, 1989**

**Assistant Vice President  
10 S. Wacker Drive, Floor 22  
Chicago, Illinois 60606**

ACCESS SERVICE

7. Special Access Service (Cont'd)

7.5 Rates and Charges (Cont'd)

x State specific rates previously appearing on this page now appear as aggregate rates on 12th Revised Page 323.

y Reissued material scheduled to become effective October 30, 1989 under Transmittal No. 369.

---

Issued: September 29, 1989

Effective: November 13, 1989

Director, Federal Regulatory, 4F20  
2000 W. Ameritech Center Drive  
Hoffman Estates, Illinois 60196-1025

**ACCESS SERVICE**

**7. Special Access Service (Cont'd)**

**7.5 Rates and Charges (Cont'd)**

- x State specific rates previously appearing on this page now appear as aggregate rates on 13th Revised Page 324.
- y Reissued material scheduled to become effective October 30, 1989 under Transmittal No. 369.

---

**Issued: September 29, 1989**

**Effective: November 13, 1989**

**Assistant Vice President  
10 S. Wacker Drive, Floor 22  
Chicago, Illinois 60606**

**ACCESS SERVICE**

**7. Special Access Service (Cont'd)**

**7.5 Rates and Charges (Cont'd)**

x State specific rates previously appearing on this page now appear as aggregate rates on 15th Revised Page 325.

y Reissued material scheduled to become effective October 30, 1989 under Transmittal No. 369.

---

**Issued: September 29, 1989**

**Effective: November 13, 1989**

**Assistant Vice President  
10 S. Wacker Drive, Floor 22  
Chicago, Illinois 60606**

**ACCESS SERVICE**

**7. Special Access Service (Cont'd)**

**7.5 Rates and Charges (Cont'd)**

x State specific rates previously appearing on this page now appear as aggregate rates on 15th Revised Page 326.

y Reissued material scheduled to become effective October 30, 1989 under Transmittal No. 369.

---

**Issued: September 29, 1989**

**Effective: November 13, 1989**

**Assistant Vice President  
10 S. Wacker Drive, Floor 22  
Chicago, Illinois 60606**



**ACCESS SERVICE**

**7. Special Access Service (Cont'd)**

**7.5 Rates and Charges (Cont'd)**

- x State specific rates previously appearing on this page now appear as aggregate rates on 14th Revised Page 326.1.
- y Reissued material scheduled to become effective October 30, 1989 under Transmittal No. 369.

---

**Issued: September 29, 1989**

**Effective: November 13, 1989**

**Assistant Vice President  
10 S. Wacker Drive, Floor 22  
Chicago, Illinois 60606**

ACCESS SERVICE

7. Special Access Service (Cont'd)

7.5 Rates and Charges (Cont'd)

- x State specific rates previously appearing on this page now appear as aggregate rates on 18th Revised Page 320.
- y Reissued material scheduled to become effective October 30, 1989 under Transmittal No. 369.

---

Issued: September 29, 1989

Effective: November 13, 1989

Assistant Vice President  
10 S. Wacker Drive, Floor 22  
Chicago, Illinois 60606

ACCESS SERVICE

7. Special Access Service (Cont'd)

7.5 Rates and Charges (Cont'd)

- x State specific rates previously appearing on this page now appear as aggregate rates on 15th Revised Page 321.
- y Reissued material scheduled to become effective October 30, 1989 under Transmittal No. 369.

---

**Issued: September 29, 1989**

**Effective: November 13, 1989**

**Assistant Vice President  
10 S. Wacker Drive, Floor 22  
Chicago, Illinois 60606**

ACCESS SERVICE

7. Special Access Service (Cont'd)

7.5 Rates and Charges (Cont'd)

- x State specific rates previously appearing on this page now appear as aggregate rates on 3rd Revised Page 322.
- y Reissued material scheduled to become effective October 30, 1989 under Transmittal No. 369.

---

**Issued: September 29, 1989**

**Effective: November 13, 1989**

**Assistant Vice President  
10 S. Wacker Drive, Floor 22  
Chicago, Illinois 60606**

ACCESS SERVICE

7. Special Access Service (Cont'd)

7.5 Rates and Charges (Cont'd)

- x State specific rates previously appearing on this page now appear as aggregate rates on 12th Revised Page 323.
- y Reissued material scheduled to become effective October 30, 1989 under Transmittal No. 369.

---

**Issued: September 29, 1989**

**Effective: November 13, 1989**

**Assistant Vice President  
10 S. Wacker Drive, Floor 22  
Chicago, Illinois 60606**

ACCESS SERVICE

7. Special Access Service (Cont'd)

7.5 Rates and Charges (Cont'd)

x State specific rates previously appearing on this page now appear as aggregate rates on 13th Revised Page 324.

y Reissued material scheduled to become effective October 30, 1989 under Transmittal No. 369.

---

Issued: September 29, 1989

Effective: November 13, 1989

Assistant Vice President  
10 S. Wacker Drive, Floor 22  
Chicago, Illinois 60606

ACCESS SERVICE

7. Special Access Service (Cont'd)

7.5 Rates and Charges (Cont'd)

- x State specific rates previously appearing on this page now appear as aggregate rates on 15th Revised Page 325.
- y Reissued material scheduled to become effective October 30, 1989 under Transmittal No. 369.

---

Issued: September 29, 1989

Effective: November 13, 1989

Director, Federal Regulatory, 4F20  
2000 W. Ameritech Center Drive  
Hoffman Estates, Illinois 60196-1025

ACCESS SERVICE

7. Special Access Service (Cont'd)

7.5 Rates and Charges (Cont'd)

x State specific rates previously appearing on this page now appear as aggregate rates on 15th Revised Page 326.

y Reissued material scheduled to become effective October 30, 1989 under Transmittal No. 369.

---

Issued: September 29, 1989

Effective: November 13, 1989

Assistant Vice President  
10 S. Wacker Drive, Floor 22  
Chicago, Illinois 60606



ACCESS SERVICE

7. Special Access Service (Cont'd)

7.5 Rates and Charges (Cont'd)

- x State specific rates previously appearing on this page now appear as aggregate rates on 14th Revised Page 326.1.
- y Reissued material scheduled to become effective October 30, 1989 under Transmittal No. 369.

---

Issued: September 29, 1989

Effective: November 13, 1989

Assistant Vice President  
10 S. Wacker Drive, Floor 22  
Chicago, Illinois 60606

## ACCESS SERVICE

## 7. Special Access Service (Cont'd)

## 7.5 Rates and Charges (Cont'd)

## 7.5.4 Program Audio Service

	USOC	Monthly Rate	Daily Rate
(A) Local Distribution Channel			
- Per point of termination			
- All States			
- 200 to 3500 Hz	TNJH2	\$31.00(I)	\$2.29
- 100 to 5000 Hz	TNJH2	61.00(I)	4.87
- 50 to 8000 Hz	TNJH2	61.00(I)	4.90
- 50 to 15000 Hz	TNJH2	66.00(I)	5.27
(B) Channel Mileage Termination			
- Per point of mileage termination			
- All States			
- 200 to 3500 Hz	CM6	16.00	1.32
- 100 to 5000 Hz	CM6	32.00	2.96
- 50 to 8000 Hz	CM6	45.00	3.97
- 50 to 15000 Hz	CM6	90.00	8.12
(C) Channel Mileage			
- Per Mile			
- All States			
- 200 to 3500 Hz	1L5XX	2.00	.10
- 100 to 5000 Hz	1L5XX	3.00	.20
- 50 to 8000 Hz	1L5XX	4.00	.28
- 50 to 15000 Hz	1L5XX	6.00	.56

Rates contained in this transmittal are subject to subsequent adjustment, effective retrospectively, in the event the Commission or a court subsequently authorizes Ameritech to correct its rates pursuant to pending motions, or petitions for reconsideration or waiver, or in the event of any other adjustment to an order of the Commission or a court.

(This page filed under Transmittal No. 1481)

ACCESS SERVICE

7. Special Access Service (Cont'd)

7.5 Rates and Charges (Cont'd)

7.5.4 Program Audio Service (Cont'd)

(D) Optional Features and Functions	USOC	Monthly Rate	Daily Rate	Nonrecurring Charges	
				Monthly	Daily
(1) Bridging (Distribution Amplifier) - Per Port - All States	BCNPT	\$16.91 R	\$1.69 R	None	None
(2) Gain Conditioning - Per service - All States	XGC	.60 R	.07	\$300.00	\$300.00
(3) Stereo - Per service	XSC	ICB	ICB	\$400.00	\$400.00
- All Others	XSC	None	None	\$400.00	\$400.00

(TR717)

Issued: June 17, 1993

Effective: July 1, 1993

Assistant Vice President, 4F08  
 2000 W. Ameritech Center Drive  
 Hoffman Estates, Illinois 60196-1025

ACCESS SERVICE

7. Special Access Service (Cont'd)

7.5 Rates and Charges (Cont'd)

x State specific rates previously appearing on this page now appear as aggregate rates on 18th Revised Page 355.

y Reissued material scheduled to become effective October 30, 1989 under Transmittal No. 369.

---

Issued: September 29, 1989

Effective: November 13, 1989

Director, Federal Regulatory, 4F20  
2000 W. Ameritech Center Drive  
Hoffman Estates, Illinois 60196-1025

ACCESS SERVICE

7. Special Access Service (Cont'd)

7.5 Rates and Charges (Cont'd)

x State specific rates previously appearing on this page now appear as aggregate rates on 15th Revised Page 356.

y Reissued material scheduled to become effective October 30, 1989 under Transmittal No. 369.

---

Issued: September 29, 1989

Effective: November 13, 1989

Assistant Vice President  
10 S. Wacker Drive, Floor 22  
Chicago, Illinois 60606

ACCESS SERVICE

7. Special Access Service (Cont'd)

7.5 Rates and Charges (Cont'd)

x State specific rates previously appearing on this page now appear as aggregate rates on 18th Revised Page 355.

y Reissued material scheduled to become effective October 30, 1989 under Transmittal No. 369.

---

Issued: September 29, 1989

Effective: November 13, 1989

Assistant Vice President  
10 S. Wacker Drive, Floor 22  
Chicago, Illinois 60606

ACCESS SERVICE

7. Special Access Service (Cont'd)

7.5 Rates and Charges (Cont'd)

7.5.4

x Issued on not less than 15 days' notice under authority of Special Permission No. 987.56.

---

Issued: February 4, 1987

Effective: February 19, 1987

Assistant Vice President  
10 S. Wacker Drive, Floor 22  
Chicago, Illinois 60606

ACCESS SERVICE

7. Special Access Service (Cont'd)

7.5 Rates and Charges (Cont'd)

x State specific rates previously appearing on this page now appear as aggregate rates on 15th Revised Page 356.

y Reissued material scheduled to become effective October 30, 1989 under Transmittal No. 369

---

Issued: September 29, 1989

Effective: November 13, 1989

Assistant Vice President  
10 S. Wacker Drive, Floor 22  
Chicago, Illinois 60606



**ACCESS SERVICE**

**7. Special Access Service (Cont'd)**

**7.5 Rates and Charges (Cont'd)**

**7.5.4**

x Issued on not less than 15 days' notice under authority of Special Permission No. 87-56.

---

**Issued: February 4, 1987**

**Effective: February 19, 1987**

**Director, Federal Regulatory, 4F20  
2000 W. Ameritech Center Drive  
Hoffman Estates, Illinois 60196-1025**

ACCESS SERVICE

7. Special Access Service (Cont'd)

7.5 Rates and Charges (Cont'd)

x State specific rates previously appearing on this page now appear as aggregate rates on 15th Revised Page 356.

y Reissued material scheduled to become effective October 30, 1989 under Transmittal No. 369.

---

Issued: September 29, 1989

Effective: November 13, 1989

Assistant Vice President  
10 S. Wacker Drive, Floor 22  
Chicago, Illinois 60606

ACCESS SERVICE

7. Special Access Service (Cont'd)

7.5 Rates and Charges (Cont'd)

x State specific rates previously appearing on this page now appear as aggregate rates on 15th Revised Page 356.

y Reissued material scheduled to become effective October 30, 1989 under Transmittal No. 369.

---

Issued: September 29, 1989

Effective: November 13, 1989

Assistant Vice President  
10 S. Wacker Drive, Floor 22  
Chicago, Illinois 60606

ACCESS SERVICE

7. Special Access Service (Cont'd)

7.5 Rates and Charges (Cont'd)

x State specific rates previously appearing on this page now appear as aggregate rates on 18th Revised Page 355.

y Reissued material scheduled to become effective October 30, 1989 under Transmittal No. 369.

---

Issued: September 29, 1989

Effective: November 13, 1989

Assistant Vice President  
10 S. Wacker Drive, Floor 22  
Chicago, Illinois 60606

ACCESS SERVICE

7. Special Access Service (Cont'd)

7.5 Rates and Charges (Cont'd)

x State specific rates previously appearing on this page now appear as aggregate rates on 15th Revised Page 356.

y Reissued material scheduled to become effective October 30, 1989 under Transmittal No. 369.

---

Issued: September 29, 1989

Effective: November 13, 1989

Assistant Vice President  
10 S. Wacker Drive, Floor 22  
Chicago, Illinois 60606

ACCESS SERVICE

7. Special Access Service (Cont'd)

7.5 Rates and Charges (Cont'd)

7.5.5 Video Service (Cont'd)

	USOC	Daily	Monthly	12 Mo.	24 Mo.	36 Mo.	48 Mo.	60 Mo.
(A) TV Analog Video Service								
(1) Local Distribution Channel								
- Per Point of Termination								
- TV-1 or 2								
- All States	TMEV1	250.00	\$335.00(R)	\$320.00(R)	\$300.00	\$290.00(R)	\$270.00	\$250.00(R)
(2) Channel Mileage Termination								
(a)								
- Per point of mileage termination								
- All States	CM6	30.72	30.00(R)	20.00	17.00	15.00	14.00	13.00

Rates contained in this transmittal are subject to subsequent adjustment, effective retrospectively, in the event the Commission or a court subsequently authorizes Ameritech to correct its rates pursuant to pending motions, or petitions for reconsideration or waiver, or in the event of any other adjustment to an order of the Commission or a court.

(This page filed under Transmittal No. 1347)

ACCESS SERVICE

7. Special Access Service (Cont'd)

7.5 Rates and Charges (Cont'd)

7.5.5 Video Service (Cont'd)

(A) TV Analog Video Service (Cont'd)

(2) Channel Mileage Termination (Cont'd)

	USOC	Hourly
(b) Video Hub-to-Video Hub - Per point of mileage termination - All States	NRBVC	\$0.85

USOC Daily Monthly 12 Mo. 24 Mo. 36 Mo. 48 Mo. 60 Mo.

(3) Channel Mileage

(a) - Per Mile - All States	1L5XX	\$23.57	\$65.00 R	\$60.00 R	\$60.00 R	\$60.00 R	\$60.00 R	\$60.00 R
-----------------------------------	-------	---------	-----------	-----------	-----------	-----------	-----------	-----------

	USOC	Hourly	Monthly
(b) Video Hub-to-Video Hub - Per Mile - All States	NRBVB	2.40	

(4) Optional Features and Functions

3rd and 4th Audio Channels	VAFAX	\$50.00
----------------------------	-------	---------

(TR1218)

Issued: October 25, 1999

Effective: November 1, 1999

ACCESS SERVICE

7. Special Access Service (Cont'd)

7.5 Rates and Charges (Cont'd)

7.5.5 Video Service (Cont'd)

	USOC	Daily	Monthly	12 Mo.	24 Mo.	36 Mo.	48 Mo.	60 Mo.
--	------	-------	---------	--------	--------	--------	--------	--------

(B) Digital Video Service

(1) Local Distribution Channel

- Per Point of Termination

- TV1D

- All States	TVE7X	\$500.00	\$950.00(R)	\$940.00	\$935.00	\$930.00	\$925.00	\$915.00
--------------	-------	----------	-------------	----------	----------	----------	----------	----------

- TVD

- All States	TMEV7	300.00	555.00(R)	555.00	550.00	545.00	540.00	535.00
--------------	-------	--------	-----------	--------	--------	--------	--------	--------

(2) Channel Mileage Termination

- Per point of mileage termination

- All States	CM6	50.00	140.00	135.00	130.00	125.00	120.00	115.00
--------------	-----	-------	--------	--------	--------	--------	--------	--------

(3) Channel Mileage

- Per Mile

- All States	1L5XX	23.57	50.00	45.00	40.00	35.00	32.00	30.00
--------------	-------	-------	-------	-------	-------	-------	-------	-------

**Rates contained in this transmittal are subject to subsequent adjustment, effective retrospectively, in the event the Commission or a court subsequently authorizes Ameritech to correct its rates pursuant to pending motions, or petitions for reconsideration or waiver, or in the event of any other adjustment to an order of the Commission or a court.**

(This page filed under Transmittal No. 1347)



ACCESS SERVICE

7. Special Access Service (Cont'd)

7.5 Rates and Charges (Cont'd)

7.5.5 Video Service (Cont'd)

C. Supertrunking Video Service (SVS)

(T)

	USOC	Monthly	12 Month	Recurring Charges Optional Payment Plan		
				36 Month	60 Month	84 Month
(1) Local Distribution Channel (LDC)						
- Per Point of Termination						
- All States						
Originating LDC	T7TTX	\$ 950.00	\$939.00	\$913.00	\$730.00	\$710.00
Terminating LDC	T7TRX	495.00	484.00	457.00	375.00	325.00
(2) Channel Mileage Termination						
- Per Point of Mileage Termination						
- All States	CZ7QX	13.00	11.00	10.00	8.00	8.00
(3) Channel Mileage						
- Per Mile						
- All States	1A8QS	90.00	60.00	50.00	30.00	28.00

ACCESS SERVICE

7. Special Access Service (Cont'd)

7.5 Rates and Charges (Cont'd)

7.5.16 Optional Payment Plan Vintage Rates (Cont'd)

B. Vintage Rates (Cont'd)

		Recurring Charges					
		<i>Optional Payment Plan</i>					
	USOC	Monthly	12 Month	36 Month	60 Month	84 Month	
<hr/>							
(4)	Optional Features and Functions						
	(a) Video Bridging						
	- Per Port						
	- All States	BCNVD	\$ 20.00	\$ 15.00	\$ 12.00	\$ 9.00	\$ 8.00(R)
	(b) ASVS Repeater						
	- Per Each						
	Repeater Transmitter						
	- All States	VRNRT	550.00	517.00	497.00	455.00	445.00(R)
	- Per Each						
	Repeater Receiver						
	- All States	VRNRR	125.00	82.00	77.00	70.00	70.00

Rates contained in this transmittal are subject to subsequent adjustment, effective retrospectively, in the event the Commission or a court subsequently authorizes Ameritech to correct its rates pursuant to pending motions, or petitions for reconsideration or waiver, or in the event of any other adjustment to an order of the Commission or a court.

(This page filed under Transmittal No. 1347)

ACCESS SERVICE

7. Special Access Service (Cont'd)

7.5 Rates and Charges (Cont'd)

7.5.5 Video Service (Cont'd)

(D) Multichannel Video Service (AMVS) (T)

	USOC	Monthly	Recurring Charges Optional Payment Plan					
			12 Mo.	24 Mo.	36 Mo.	48 Mo.	60 Mo.	
(1) Local Distribution Channel								
(a) MVS Hub Transport System								(T)
- Per Point of Termination								
- All States	T7TUN	\$930.00	\$870.00	\$828.00	\$778.00	\$717.00	\$660.00	
(b) MVS Customer Premises Transport System								(T)
- Per Point of Termination								
- All States	T7TUX	925.00	925.00	905.00	895.00	869.00	859.00	
(c) Video Service Channel associated with Transport Systems (a) or (b).								
- Per LDC								
- All States								
MVS-A		128.00	120.00	114.00	107.00	99.00	90.00	(T)
MVS-C		382.00	356.00	335.00	314.00	289.00	266.00	(T)
MVS-D		95.00	93.00	88.00	85.00	81.00	79.00	(T)
(2) Channel Mileage Termination								
- Per Point of Mileage Termination								
- All States	CM6	11.70	11.70	11.60	11.50	11.50	11.50	
(3) Channel Mileage								
- Per Mile								
- All States	1L5XX	60.00(R)	59.00(R)	58.00(R)	57.00(R)	56.00(R)	55.00(R)	

This page filed under Transmittal No. 1357)

Issued: October 6, 2003

Effective: October 21, 2003

ACCESS SERVICE

7. Special Access Service (cont'd)

7.5 Rates and Charges (cont'd)

7.5.5 Video Service (cont'd)

(D) Multichannel Video Service (AMVS) (cont'd)

(T)

		Recurring Charges					
		<i>Optional Payment Plan</i>					
	USOC	Monthly	12 Month	24 Month	36 Month	48 Month	60 Month
(4) Optional Features and Functions							
(a) MVS Regenerator (T)							
- Per Each Regenerator							
	V8R	\$ 780.00	\$ 729.00	\$ 694.00	\$ 652.00	\$ 640.00	\$ 633.00
- All States							
(b) MVS Video Bridging (T)							
- Per Port							
		20.00	15.00	13.00	12.00	11.00	10.00
- All States							
(c) MVS Route Survivability (T)							
(1) Local Distribution							
Channel (LDC) Route Survivability							
(i) Per MVS Hub Transport Point of Termination (T)							
Per Transport System							
	DVDVX	496.00	496.00	495.00	489.00	482.00	476.00
- All States							
(ii) Per MVS Customer Premises Transport Point of Termination (T)							
	DWMVX	1725.00	1725.00	1720.00	1710.00	1685.00	1665.00
- All States							
(iii) Per LDC Quarter Route Mile							
	DWSVA	77.00	77.00	76.00	75.00	74.00	73.00
- All States							
(2) Channel Mileage (CM) Route Survivability							
(i) Channel Mileage							
- Per Mile							
	DZJVS	136.00	136.00	135.00	133.00	131.00	129.00
- All States							

This page filed under Transmittal No. 1357)

Issued: October 6, 2003

Effective: October 21, 2003

One SBC Plaza, Dallas, Texas 75202

ACCESS SERVICE

7. Special Access Service (cont'd)

7.5 Rates and Charges (cont'd)

7.5.5 Video Service (cont'd)

(D) Multichannel Video Service (MVS) (cont'd) (T)

		Recurring Charges				
		Optional Payment Plan				
USOC	Monthly	12 Month	24 Month	36 Month	48 Month	60 Month

(4) Optional Features and Functions (cont'd)

(3) Route Survivability Nonrecurring Charges Nonrecurring Charge

(i) Per LDC	DVDVX	\$310.00
(ii) Per CM Facility	DZJVS	180.00

(d) MVS Service Survivability (T)

(1) Local Distribution Channel (LDC) Service Survivability

(i) Per MVS-A Customer Premises Transport Point of Termination (T)

- All States VDYVX Apply Rates and Charges as DWMVX above

(ii) Per LDC Quarter Route Mile - All States VDCVA Apply Rates and Charges as DWSVA above

(2) Channel Mileage (CM) Service Survivability

(i) Channel Mileage - Per Mile - All States/ VDOVS Apply Rates and Charges as DZJVS above

(3) Service Survivability Nonrecurring Charges Nonrecurring Charge

(i) Per LDC	VDYVX	\$340.00
(ii) Per CM Facility	VDOVS	200.00

This page filed under Transmittal No. 1357)

Issued: October 6, 2003

Effective: October 21, 2003

One SBC Plaza, Dallas, Texas 75202

ACCESS SERVICE

7. Special Access Service (Cont'd)

7.5 Rates and Charges (Cont'd)

7.5.5 Video Service (Cont'd)

(E) Wideband Analog Video Service (WAVS)

T

	USOC	Monthly	Recurring Charges Optional Payment Plan			
			12 Mo.	36 Mo.	60 Mo.	
(1) Local Distribution Channel						
- Per Point of Termination						
- All States						
Originating LDC	T7TTX	\$283.00	\$273.00	\$263.00	\$254.00	T
Terminating LDC	T7TRX	223.00	215.00	207.00	200.00	T
(2) Channel Mileage Termination						
- Per Point of Mileage Termination						
- All States	CZ7QX	45.00	35.00	25.00	17.00	T
(3) Channel Mileage						
- Per Mile						
- All States	1A8QS	72.00	70.00	68.00	66.00	T

Certain material previously on this page now appears on original page 367.4

(TR1086)

Issued: April 30, 1997

Effective: May 15, 1997

Director, Federal Regulatory Planning & Policy, 4G62  
 2000 W. Ameritech Center Drive  
 Hoffman Estates, Illinois 60196-1025

ACCESS SERVICE

7. Special Access Service (Cont'd)

7.5 Rates and Charges (Cont'd)

7.5.5 Video Service (Cont'd)

(E) Wideband Analog Video Service (WAVS)(Cont'd)

	USOC	Monthly	Recurring Charges Optional Payment Plan			
			12 Mo.	36 Mo.	60 Mo.	
(4) Optional Features and Functions						M
(a) Video Repeater						
- Per Each Repeater Transmitter						M
- All States	VRNRT	\$113.00	\$110.00	\$107.00	\$104.00	T
- Per Each Repeater Receiver						M
- All States	VRNRR	98.00	96.00	94.00	92.00	M T
(b) Automatic Protection Switching (APS)						M
- Per APS Switch						M
- All States	APX	150.00	145.00	140.00	135.00	T

Certain material on this page previously appeared on original page 367.3

(TR1086)

Issued: April 30, 1997

Effective: May 15, 1997

ACCESS SERVICE

7. Special Access Service (cont'd)

7.5 Rates and Charges (cont'd)

7.5.5 Video Service (cont'd)

(F)<sup>(1)</sup>

(D)

<sup>(1)</sup> Material in this Section has been de-tariffed as required by the Commission upon use of the forbearance relief pursuant to FCC Memorandum Opinion and Order No. 07-180, released October 12, 2007. Terms and Conditions associated with de-tariffed services are available at [www.att.com/guidebook](http://www.att.com/guidebook).

(This page filed under Transmittal No. 1666)



ACCESS SERVICE

7. Special Access Service (Cont'd)

7.5 Rates and Charges (Cont'd)

x State specific rates previously appearing on this page now appear as aggregate rates on 12th Revised Page 365.

y Reissued material scheduled to become effective October 30, 1989 under Transmittal No. 369.

---

Issued: September 29, 1989

Effective: November 13, 1989

Assistant Vice President  
10 S. Wacker Drive, Floor 22  
Chicago, Illinois 60606

ACCESS SERVICE

7. Special Access Service (Cont'd)

7.5 Rates and Charges (Cont'd)

7.5.6 Wideband Analog Service\*

All States

	USOC	Monthly Rate	Nonrecurring Charge
<b>(A) Local Distribution Channel</b> - Per point of termination			
- 60 KHz - 108 KHz(AH-B)	TWT++	ICB	ICB
- 312 KHz - 552 KHz(AH-C)	TWT++	ICB	ICB
- 564 KHz - 3084 KHz(AH-D)	TWT++	ICB	ICB
- 300 Hz - 18 KHz(WD-1)	TWT++	ICB	ICB
- 28 KHz - 44 KHz(WD-2&3)	TWT++	ICB	ICB

**(B) Channel Mileage**

**(1) 60 KHz - 108 KHz**

**Mileage Bands**

	USOC	Monthly Rate	
		Fixed	Per Mile
0	1LO++	None	None
0 to 4	1LO++	ICB	ICB
5 to 8	1LO++	ICB	ICB
9 to 25	1LO++	ICB	ICB
26 to 50	1LO++	ICB	ICB
51 and over	1LO++	ICB	ICB

x Rates shown on this page were previously shown as state specific rates on other pages.

\* Wideband Analog Service is limited to circuits in place as of August 11, 1988. ICB rates and charges are filed in 7.6 following.

ACCESS SERVICE

7. Special Access Service (Cont'd)

7.5 Rates and Charges (Cont'd)

7.5.6 Wideband Analog Service\* (Cont'd)

All States (Cont'd)

(B) Channel Mileage (Cont'd)

	USOC	Monthly Rate_	
		Fixed	Per Mile
<b>(2) 312 KHz - 552 KHz</b>			
<b>Mileage Bands</b>			
0	1LO++	None	None
0 to 4	1LO++	ICB	ICB
5 to 8	1LO++	ICB	ICB
9 to 25	1LO++	ICB	ICB
26 to 50	1LO++	ICB	ICB
51 and over	1LO++	ICB	ICB
<b>(3) 564 KHz - 3084 KHz</b>			
<b>Mileage Bands</b>			
0	1LO++	None	None
0 to 4	1LO++	ICB	ICB
5 to 8	1LO++	ICB	ICB
9 to 25	1LO++	ICB	ICB
26 to 50	1LO++	ICB	ICB
51 and over	1LO++	ICB	ICB
<b>(4) 300 Hz - 18 KHz</b>			
<b>Mileage Bands</b>			
0	1LO++	None	None
0 to 4	1LO++	ICB	ICB
5 to 8	1LO++	ICB	ICB
9 to 25	1LO++	ICB	ICB
26 to 50	1LO++	ICB	ICB
51 and over	1LO++	ICB	ICB

x Rates shown on this page were previously shown as state specific rates on other pages.

\* Wideband Analog Service is limited to circuits in place as of August 11, 1988. ICB rates and charges are filed in 7.6 following.

Issued: September 29, 1989

Effective: November 13, 1989

ACCESS SERVICE

7. Special Access Service (Cont'd)

7.5 Rates and Charges (Cont'd)

7.5.6 Wideband Analog Service\*\*\* (Cont'd)

All States (Cont'd)

(B) Channel Mileage (Cont'd)

(5) 28 KHz - 44 KHz Mileage Bands	USOC	Monthly Rate_	
		Fixed	Per Mile
0	1LO++	None	None
0 to 4	1LO++	ICB	ICB
5 to 8	1LO++	ICB	ICB
9 to 25	1LO++	ICB	ICB
26 to 50	1LO++	ICB	ICB
51 and over	1LO++	ICB	ICB

(C) Optional Features and Functions

(1) Multiplexing

(a) Mastergroup to Supergroup - per arrangement	MQ9++	ICB	None
(b) Supergroup to Group - per arrangement	MQS++	ICB	None
(c) Group to Voice* - per arrangement	MQV++	ICB	None
(d) Group to DS1** - per arrangement	MQG++	ICB	None

x Rates shown on this page were previously shown as state specific rates on other pages.

\* A channel(s) of this Group level service to the Hub can be used for Program Audio or Metallic Services. Multiple channels may be required to provide individual Program Audio channels.

\*\* Requires two 60-108 KHz Local Distribution Channels and Channel Mileage, one 1.544 Mbps Channel Mileage and either a 1.544 Mbps Local Distribution Channel or a DS1 to voice multiplexing optional feature, depending on whether the service terminates at a customer's premises or was purchased as a facility to a Telephone Company Hub for multiplexing to voice grade.

\*\*\* Wideband Analog Service is limited to circuits in place as of August 11, 1988. ICB rates and charges are filed in 7.6 following.

Issued: September 29, 1989

Effective: November 13, 1989

ACCESS SERVICE

7. Special Access Service (Cont'd)

7.5 Rates and Charges (Cont'd)

x State specific rates previously appearing on this page now appear as aggregate rates on 3rd Revised Page 370.

---

Issued: September 29, 1989

Effective: November 13, 1989

Assistant Vice President  
10 S. Wacker Drive, Floor 22  
Chicago, Illinois 60606

ACCESS SERVICE

7. Special Access Service (Cont'd)

7.5 Rates and Charges (Cont'd)

x State specific rates previously appearing on this page now appear as aggregate rates on 2nd Revised Page 371.

---

Issued: September 29, 1989

Effective: November 13, 1989

Director, Federal Regulatory, 4F20  
2000 W. Ameritech Center Drive  
Hoffman Estates, Illinois 60196-1025

ACCESS SERVICE

7. Special Access Service (Cont'd)

7.5 Rates and Charges (Cont'd)

x State specific rates previously appearing on this page now appear as aggregate rates on 3rd Revised Page 372.

---

Issued: September 29, 1989

Effective: November 13, 1989

Assistant Vice President  
10 S. Wacker Drive, Floor 22  
Chicago, Illinois 60606

ACCESS SERVICE

7. Special Access Service (Cont'd)

7.5 Rates and Charges (Cont'd)

x State specific rates previously appearing on this page now appear as aggregate rates on 3rd Revised Page 370.

---

Issued: September 29, 1989

Effective: November 13, 1989

Assistant Vice President  
10 S. Wacker Drive, Floor 22  
Chicago, Illinois 60606



ACCESS SERVICE

7. Special Access Service (Cont'd)

7.5 Rates and Charges (Cont'd)

x State specific rates previously appearing on this page now appear as aggregate rates on 2nd Revised Page 371.

---

Issued: September 29, 1989

Effective: November 13, 1989

Assistant Vice President  
10 S. Wacker Drive, Floor 22  
Chicago, Illinois 60606

ACCESS SERVICE

7. Special Access Service (Cont'd)

7.5 Rates and Charges (Cont'd)

x State specific rates previously appearing on this page now appear as aggregate rates on 3rd Revised Page 372.

---

Issued: September 29, 1989

Effective: November 13, 1989

Assistant Vice President  
10 S. Wacker Drive, Floor 22  
Chicago, Illinois 60606

ACCESS SERVICE

7. Special Access Service (Cont'd)

7.5 Rates and Charges (Cont'd)

x State specific rates previously appearing on this page now appear as aggregate

Issued: September 29, 1989

Effective: November 13, 1989

Assistant Vice President  
10 S. Wacker Drive, Floor 22  
Chicago, Illinois 60606

ACCESS SERVICE

7. Special Access Service (Cont'd)

7.5 Rates and Charges (Cont'd)

x State specific rates previously appearing on this page now appear as aggregate rates on 2nd Revised Page 371.

---

Issued: September 29, 1989

Effective: November 13, 1989

Director, Federal Regulatory, 4F20  
2000 W. Ameritech Center Drive  
Hoffman Estates, Illinois 60196-1025

ACCESS SERVICE

7. Special Access Service (Cont'd)

7.5 Rates and Charges (Cont'd)

x State specific rates previously appearing on this page now appear as aggregate rates on 3rd Revised Page 372.

---

Issued: September 29, 1989

Effective: November 13, 1989

Assistant Vice President  
10 S. Wacker Drive, Floor 22  
Chicago, Illinois 60606

ACCESS SERVICE

7. Special Access Service (Cont'd)

7.5 Rates and Charges (Cont'd)

x State specific rates previously appearing on this page now appear as aggregate rates on 3rd Revised Page 370.

---

Issued: September 29, 1989

Effective: November 13, 1989

Assistant Vice President  
10 S. Wacker Drive, Floor 22  
Chicago, Illinois 60606

ACCESS SERVICE

7. Special Access Service (Cont'd)

7.5 Rates and Charges (Cont'd)

x State specific rates previously appearing on this page now appear as aggregate rates on 2nd Revised Page 371.

---

Issued: September 29, 1989

Effective: November 13, 1989

Assistant Vice President  
10 S. Wacker Drive, Floor 22  
Chicago, Illinois 60606

**ACCESS SERVICE**

**7. Special Access Service (Cont'd)**

**7.5 Rates and Charges (Cont'd)**

x State specific rates previously appearing on this page now appear as aggregate rates on 3rd Revised Page 372.

---

**Issued: September 29, 1989**

**Effective: November 13, 1989**

**Assistant Vice President  
10 S. Wacker Drive, Floor 22  
Chicago, Illinois 60606**



## ACCESS SERVICE

## 7. Special Access Service (Cont'd)

## 7.5 Rates and Charges (Cont'd)

## 7.5.7 Wideband Data Service\*

## All States

	USOC	Monthly Charge	Nonrecurring Charge
<b>(A) Local Distribution Channel</b>			
- Per point of termination			
- 19.2 or 18.75 kbps	TWT++	ICB	ICB
- 50.0 or 40.8 kbps	TWT++	ICB	ICB
- 230.4 kbps	TWT++	ICB	ICB
<b>(B) Channel Mileage</b>			
<b>(1) 19.2 or 18.75 kbps</b>			
<b>Mileage Bands</b>			
0	1L0++	None	None
0 to 4	1L0++	ICB	ICB
5 to 9	1L0++	ICB	ICB
9 to 25	1L0++	ICB	ICB
26 to 50	1L0++	ICB	ICB
51 and over	1L0++	ICB	ICB
<b>(2) 50.0 or 40.8 kbps</b>			
<b>Mileage Bands</b>			
0	1L0++	None	None
0 to 4	1L0++	ICB	ICB
5 to 9	1L0++	ICB	ICB
9 to 25	1L0++	ICB	ICB
26 to 50	1L0++	ICB	ICB
51 and over	1L0++	ICB	ICB
<b>(3) 230.4 kbps</b>			
<b>Mileage Bands</b>			
0	1L0++	None	None
0 to 4	1L0++	ICB	ICB
5 to 9	1L0++	ICB	ICB
9 to 25	1L0++	ICB	ICB
26 to 50	1L0++	ICB	ICB
51 and over	1L0++	ICB	ICB

\* Wideband Data Service is limited to circuits in place as of August 1, 1988.  
ICB rates and charges are filed in 7.6 following.

Issued: September 29, 1989

Effective: November 13, 1989

Director, Federal Regulatory, 4F20  
2000 W. Ameritech Center Drive  
Hoffman Estates, Illinois 60196-1025

ACCESS SERVICE

7. Special Access Service (Cont'd)

7.5 Rates and Charges (Cont'd)

7.5.7 Wideband Data Service\*\* (Cont'd)

All States (Cont'd)

	USOC	Monthly Charge	Nonrecurring Charge
<b>(C) Optional Features and Functions</b>			
<b>(1) Key Activated Transfer Arrangement</b>			
- Per four port arrangement including control channel termination*	UTK++	ICB	ICB
<b>(D) 303 Data Station</b>			
- Per point of termination where provided TDQ++	ICB	ICB	

The key activated control channel is rated as a Metallic Local Distribution Channel (use USOC T6EME in lieu of T6ECS) and Channel Mileage, if applicable (use USOC 1L5MX in lieu of 1L5XX).  
 \*\* Wideband Data Service is limited to circuits in place as of August 11, 1988.

ICB rates and charges are filed in 7.6 following.

Issued: September 29, 1989

Effective: November 13, 1989

Director, Federal Regulatory, 4F20  
 2000 W. Ameritech Center Drive  
 Hoffman Estates, Illinois 60196-1025

ACCESS SERVICE

7. Special Access Service (Cont'd)

7.5 Rates and Charges (Cont'd)

x State specific rates previously appearing on this page now appear as aggregate rates on 3rd Revised Page 385.

---

Issued: September 29, 1989

Effective: November 13, 1989

Assistant Vice President  
10 S. Wacker Drive, Floor 22  
Chicago, Illinois 60606

ACCESS SERVICE

7. Special Access Service (Cont'd)

7.5 Rates and Charges (Cont'd)

x State specific rates previously appearing on this page now appear as aggregate rates on 3rd Revised Page 386.

---

Issued: September 29, 1989

Effective: November 13, 1989

Assistant Vice President  
10 S. Wacker Drive, Floor 22  
Chicago, Illinois 60606

ACCESS SERVICE

7. Special Access Service (Cont'd)

7.5 Rates and Charges (Cont'd)

x State specific rates previously appearing on this page now appear as aggregate rates on 3rd Revised Page 385.

---

Issued: September 29, 1989

Effective: November 13, 1989

Assistant Vice President  
10 S. Wacker Drive, Floor 22  
Chicago, Illinois 60606

ACCESS SERVICE

7. Special Access Service (Cont'd)

7.5 Rates and Charges (Cont'd)

x State specific rates previously appearing on this page now appear as aggregate rates on 3rd Revised Page 386.

---

Issued: September 29, 1989

Effective: November 13, 1989

Assistant Vice President  
10 S. Wacker Drive, Floor 22  
Chicago, Illinois 60606

ACCESS SERVICE

7. Special Access Service (Cont'd)

7.5 Rates and Charges (Cont'd)

x State specific rates previously appearing on this page now appear as aggregate rates on 3rd Revised Page 385.

---

Issued: September 29, 1989

Effective: November 13, 1989

Assistant Vice President  
10 S. Wacker Drive, Floor 22  
Chicago, Illinois 60606

ACCESS SERVICE

7. Special Access Service (Cont'd)

7.5 Rates and Charges (Cont'd)

x State specific rates previously appearing on this page now appear as aggregate rates on 3rd Revised Page 386.

---

Issued: September 29, 1989

Effective: November 13, 1989

Assistant Vice President  
10 S. Wacker Drive, Floor 22  
Chicago, Illinois 60606



ACCESS SERVICE

7. Special Access Service (Cont'd)

7.5 Rates and Charges (Cont'd)

x State specific rates previously appearing on this page now appear as aggregate rates on 3rd Revised Page 385.

---

Issued: September 29, 1989

Effective: November 13, 1989

Assistant Vice President  
10 S. Wacker Drive, Floor 22  
Chicago, Illinois 60606

ACCESS SERVICE

7. Special Access Service (Cont'd)

7.5 Rates and Charges (Cont'd)

State specific rates previously appearing on this page now appear as aggregate rates on 3rd Revised Page 386.

---

Issued: September 29, 1989

Effective: November 13, 1989

Assistant Vice President  
10 S. Wacker Drive, Floor 22  
Chicago, Illinois 60606

ACCESS SERVICE

7. Special Access Service (cont'd)

7.5 Rates and Charges (cont'd)

(D)

(D)

(This page filed under Transmittal No. 1289)

---

Issued: February 20, 2002

Effective: March 7, 2002

One Bell Plaza, Dallas, Texas 75202

ACCESS SERVICE

7. Special Access Service (Cont'd)

7.5 Rates and Charges (Cont'd)

(D)

(D)

(This page filed under Transmittal No. 1289)

Issued: February 20, 2002

Effective: March 7, 2002

One Bell Plaza, Dallas, Texas 75202

ACCESS SERVICE

7. Special Access Service (Cont'd)

7.5 Rates and Charges (Cont'd)

(D)

(D)

(This page filed under Transmittal No. 1289)

Issued: February 20, 2002

Effective: March 7, 2002

One Bell Plaza, Dallas, Texas 75202

(T)  
(D)  
(D)

ACCESS SERVICE

7. Special Access Service (cont'd)

7.5 Rates and Charges (cont'd)

(D)

(D)

(This page filed under Transmittal No. 1289)

Issued: February 20, 2002

Effective: March 7, 2002

One Bell Plaza, Dallas, Texas 75202

(T)  
(D)  
(D)

ACCESS SERVICE

7. Special Access Service (Cont'd)

7.5 Rates and Charges (Cont'd)

(D)

(D)

(This page filed under Transmittal No. 1289)

---

Issued: February 20, 2002

Effective: March 7, 2002

One Bell Plaza, Dallas, Texas 75202

(T)  
(D)  
(D)

ACCESS SERVICE

7. Special Access Service (Cont'd)

7.5 Rates and Charges (Cont'd)

(D)

(D)

(This page filed under Transmittal No. 1289)

Issued: February 20, 2002

Effective: March 7, 2002

One Bell Plaza, Dallas, Texas 75202

(T)  
(D)  
(D)



ACCESS SERVICE

7. Special Access Service (cont'd)

7.5 Rates and Charges (cont'd)

(D)

(D)

(This page filed under Transmittal No. 1289)

Issued: February 20, 2002

Effective: March 7, 2002

One Bell Plaza, Dallas, Texas 75202

(T)  
(D)  
(D)

ACCESS SERVICE

7. Special Access Service (Cont'd)

7.5 Rates and Charges (Cont'd)

(D)

(This page filed under Transmittal No. 1289)

---

Issued: February 20, 2002

Effective: March 7, 2002

One Bell Plaza, Dallas, Texas 75202

(T)  
(D)  
(D)

ACCESS SERVICE

7. Special Access Service (Cont'd)

7.5 Rates and Charges (Cont'd)

(D)

(D)

(This page filed under Transmittal No. 1289)

Issued: February 20, 2002

Effective: March 7, 2002

One Bell Plaza, Dallas, Texas 75202

(T)  
(D)  
(D)

ACCESS SERVICE

7. Special Access Service (Cont'd)

7.5 Rates and Charges (Cont'd)

(D)

(This page filed under Transmittal No. 1289)

---

Issued: February 20, 2002

Effective: March 7, 2002

One Bell Plaza, Dallas, Texas 75202

(T)  
(D)  
(D)

ACCESS SERVICE

7. Special Access Service (Cont'd)

7.5 Rates and Charges (Cont'd)

(D)

(D)

(This page filed under Transmittal No. 1289)

Issued: February 20, 2002

Effective: March 7, 2002

One Bell Plaza, Dallas, Texas 75202

(T)  
(D)  
(D)

ACCESS SERVICE

7. Special Access Service (Cont'd)

7.5 Rates and Charges (Cont'd)

(D)

(This page filed under Transmittal No. 1289)

---

Issued: February 20, 2002

Effective: March 7, 2002

One Bell Plaza, Dallas, Texas 75202

(T)  
(D)  
(D)

ACCESS SERVICE

7. Special Access Service (cont'd)

7.5 Rates and Charges (cont'd)

(D)

(D)

(This page filed under Transmittal No. 1289)

Issued: February 20, 2002

Effective: March 7, 2002

One Bell Plaza, Dallas, Texas 75202

(T)  
(D)  
(D)

ACCESS SERVICE

7. Special Access Service (Cont'd)

7.5 Rates and Charges (Cont'd)

(D)

(D)

(This page filed under Transmittal No. 1289)

Issued: February 20, 2002

Effective: March 7, 2002

One Bell Plaza, Dallas, Texas 75202

(T)  
(D)  
(D)



ACCESS SERVICE

7. Special Access Service (Cont'd)

7.5 Rates and Charges (Cont'd)

(D)

(D)

(This page filed under Transmittal No. 1289)

Issued: February 20, 2002

Effective: March 7, 2002

One Bell Plaza, Dallas, Texas 75202

(T)  
(D)  
(D)

ACCESS SERVICE

7. Special Access Service (cont'd)

7.5 Rates and Charges (cont'd)

(D)

(D)

(This page filed under Transmittal No. 1289)

Issued: February 20, 2002

Effective: March 7, 2002

One Bell Plaza, Dallas, Texas 75202

(T)  
(D)  
(D)

ACCESS SERVICE

7. Special Access Service (Cont'd)

7.5 Rates and Charges (Cont'd)

(D)

(D)

(This page filed under Transmittal No. 1289)

Issued: February 20, 2002

Effective: March 7, 2002

One Bell Plaza, Dallas, Texas 75202

(T)  
(D)  
(D)

ACCESS SERVICE

7. Special Access Service (Cont'd)

7.5 Rates and Charges (Cont'd)

(D)

(D)

(This page filed under Transmittal No. 1289)

Issued: February 20, 2002

Effective: March 7, 2002

One Bell Plaza, Dallas, Texas 75202

(T)  
(D)  
(D)

ACCESS SERVICE

7. Special Access Service (Cont'd)

7.5 Rates and Charges (Cont'd)

7.5.9 Base Rate Services, DS1 Service and DS3 Service

(A) Base Rate Service

	USOC	Monthly	12 Mo.**	Recurring Charges Optional Payment Plan			60 Mo.	Discount Commitment Program	
				24 Mo.**	36 Mo.	48 Mo.**		36 Mo.	60 Mo.
(1) Local Distribution Channel - Per Point of Termination Terminating Bit Rates 2.4, 4.8, 9.6, 19.2, 56.0 and 64.0 Kbps - All States	T6ECS	\$105.55(l)	\$80.00	\$80.00	\$65.00	\$65.00	\$56.85	\$75.40	\$67.50
(2) DAL* - 56.0 Kbps - All States	TNT72	\$117.00	\$95.00	\$95.00	\$70.00	\$70.00	\$65.00	\$78.85	\$74.70
2-Wire	T6ECS	\$117.00	\$95.00	\$95.00	\$70.00	\$70.00	\$65.00	\$78.85	\$74.70
4-Wire									
(3) Channel Mileage Termination - Per Point of Mileage Termination - All States	CM6	21.40	14.00	14.00	10.00	10.00	9.00	12.00	10.75
(4) Channel Mileage - Per Mile - All States	1L5XX	2.15	1.00	1.00	.80	.80	.68	.96	.90

\* A Base Rate Service (56 Kbps) DAL is available only when used for terminating Public Switched Digital Service.

\*\* For 12 month Optional Payment Plans subscribed prior to February 26, 1999, and 24 and 48 month Optional Payment Plans subscribed to prior to July 1, 1999, see Section 7.5.16 following.

(This page filed under Transmittal No. 1487)

ACCESS SERVICE

7. Special Access Service (Cont'd)

7.5 Rates and Charges (Cont'd)

7.5.9 Base Rate Services, DS1 Service and DS3 Service (Cont'd) (T)

(A) Base Rate Service (Cont'd) (T)

(5) Optional Features and Functions

	USOC	Monthly	12 Mo.*	24 Mo.*	Recurring Charges Optional Payment Plan			60 Mo.
					36 Mo.	48 Mo.*		
(a) Central Office Bridging - Per Port - All States	B5NGF	\$25.00	\$20.00	\$20.00	\$17.00	\$17.00	\$15.00	
(b) ANRS System Location Port Termination - Per Ameritech Base Rate Termination - All States	PT5	20.00	19.00	18.00	17.00	16.50	16.00	
	USOC	Monthly Rate	Nonrecurring Charge					
(c) Secondary Channel - Per Local Distribution Channel (2.4, 4.8, 9.6 and 56.0** Kbps) - All States	SCA	0.00	None					

\* For 12 month Optional Payment Plans subscribed to prior to February 26, 1999, and 24 and 48 month Optional Payment Plans subscribed to prior to July 1, 1999, see Section 7.5.16 following.

\*\* Since all 56.0 Kbps lines are not capable of furnishing Secondary Channel Services, a service inquiry must be made to determine availability.

This page filed under Transmittal No. 1357)

Issued: October 6, 2003

Effective: October 21, 2003

ACCESS SERVICE

7. Special Access Service (Cont'd)

7.5 Rates and Charges(Cont'd)

7.5.9 Base Rate Services, DS1 Service and DS3 Service (Cont'd) (T)

(A) Base Rate Service (Cont'd) (T)

(5) Optional Features and Functions (Cont'd)

	<b>Nonrecurring Charges</b>		
	<b>Customer Requested</b>		
	<b>Response Time in Work Days</b>		
<b>USOC</b>	<b>3 Day</b>	<b>1 Day</b>	

(d) Cross-Connection of Services

DSO to DSO  
 (Base Rate  
 to Base  
 Rate) Cross-Connect  
 - All States

CX903	\$150.00	
CX901		\$200.00

(T)  
 (T)

<b>USOC</b>	<b>Nonrecurring Charge</b>	
-------------	----------------------------	--

(e) Shared Network Arrangement

- Processing Charge  
 Per Service Order  
 - All States

NRBOP	\$30.00
-------	---------

This page filed under Transmittal No. 1357)

Issued: October 6, 2003

Effective: October 21, 2003

One SBC Plaza, Dallas, Texas 75202

ACCESS SERVICE

7. Special Access Service (cont'd)

7.5 Rates and Charges (cont'd)

7.5.9 Base Rate Services, DS1 Service and DS3 Service (cont'd) (T)

(A) Base Rate Service (cont'd) (T)

(5) Optional Features and Functions (cont'd)

	USOC	Monthly Rate	Nonrecurring Charge
(f) Loop Transfer Arrangement (Key activated* or Dial-up**)			
- Per four port arrangement***			
- All states	XTD	\$32.00	None

\* The key activated control channel is rates as a Metallic Local Distribution Channel (use USOC T6EME in lieu of T6ECS) and Channel Mileage, if applicable (use USOC 1L5MX in lieu of 1L5XX).

\*\* The Dial-up option requires the customer to purchase the Controller Arrangement (USOC XTDDU) from 13.3.7 following.

\*\*\* An additional Local Distribution Channel charge will apply whenever a spare channel is configured as a leg to the customer's premises. Additional channel mileage charges will apply when the transfer arrangement is not located in the customer premises serving wire center.

This page filed under Transmittal No. 1357)

Issued: October 6, 2003

Effective: October 21, 2003



## ACCESS SERVICE

## 7. Special Access Service (Cont'd)

## 7.5 Rates and Charges (Cont'd)

## 7.5.9 Base Rate Services, DS1 Service and DS3 Service (Cont'd)

## (B) DS1 Service

(1) Local Distribution Channel - Per Point of Termination Terminating Bit Rate 1.544 Mbps  
Bit Rate 1.544 Mbps; 128, 256, 384, 512, 768 kbps

	USOC	Monthly	12 Mo.	Recurring Charges			60 Mo.	Discount Commitment Program*	
				Optional Payment Plan*	24 Mo.	36 Mo.		48 Mo.	36 Mo.
Illinois									
Zone 1	TZ4X1	250.00	190.00	130.00	102.00	102.00	90.00	117.00	104.00
Zone 2	TZ4X2	260.00	205.00	140.00	110.00	110.00	97.00	127.00	112.00
Zone 3	TZ4X3	275.00	215.00	155.00	120.00	120.00	105.00	138.00	121.00
Zone 4	TZ4X4	300.00	230.00	165.00	122.50	122.50	107.50	141.00	124.00
Zone 5	TZ4X5	320.00	250.00	175.00	125.00	125.00	109.75	144.00	126.00
Indiana									
Zone 1	TZ4X1	270.00	212.00	147.50	113.00	113.00	102.00	130.00	117.00
Zone 2	TZ4X2	280.00	230.00	157.50	122.00	122.00	110.00	140.00	127.00
Zone 3	TZ4X3	295.00	249.00	175.00	134.00	134.00	120.00	154.00	138.00
Zone 4	TZ4X4	320.00	275.00	185.00	138.00	138.00	124.00	159.00	143.00
Zone 5	TZ4X5	340.00	300.00	200.00	141.00	141.00	126.50(R)	162.00	145.50(R)
Michigan									
Zone 1	TZ4X1	265.00	200.00	140.00	108.00	108.00	98.00	124.00	113.00
Zone 2	TZ4X2	275.00	210.00	150.00	117.00	117.00	106.00	135.00	122.00
Zone 3	TZ4X3	285.00	235.00	165.00	129.00	129.00	115.00	148.00	132.00
Zone 4	TZ4X4	315.00	265.00	175.00	132.00	132.00	118.00	152.00	136.00
Zone 5	TZ4X5	335.00	275.00	190.00	135.00	135.00	121.00	155.00	139.00
Ohio									
Zone 1	TZ4X1	265.00	200.00	140.00	108.00	108.00	98.00	124.00	113.00
Zone 2	TZ4X2	275.00	210.00	150.00	117.00	117.00	106.00	135.00	122.00
Zone 3	TZ4X3	285.00	235.00	165.00	129.00	129.00	115.00	148.00	132.00
Zone 4	TZ4X4	315.00	265.00	175.00	132.00	132.00	118.00	152.00	136.00
Zone 5	TZ4X5	335.00	275.00	190.00	135.00	135.00	121.00	155.00	139.00
Wisconsin									
Zone 1	TZ4X1	270.00	212.00	147.50	113.00	113.00	102.00	130.00	117.00
Zone 2	TZ4X2	280.00	230.00	157.50	122.00	122.00	110.00	140.00	127.00
Zone 3	TZ4X3	295.00	249.00	175.00	134.00	134.00	120.00	154.00	138.00
Zone 4	TZ4X4	320.00	275.00	185.00	138.00	138.00	124.00	159.00	143.00
Zone 5	TZ4X5	340.00	300.00	200.00	141.00	141.00	126.50(R)	162.00	145.50(R)

- For all Optional Payment Plans and Discount Commitment Programs subscribed to prior to November 18, 2000, see Section 7.5.16 following.

(This page filed under Transmittal No. 1391)

## ACCESS SERVICE

## 7. Special Access Service (Cont'd)

## 7.5 Rates and Charges (Cont'd)

## 7.5.9 Base Rate Services, DS1 Service and DS3 Service (Cont'd)

## (B) DS1 Service (Cont'd)

## (2) DAL\*\* (1.544 Mbps)

	USOC	Recurring Charges						Discount Commitment Program*	
		Monthly	12 Mo.	24 Mo.	Optional Payment Plan*			36 Mo.	60 Mo.
					36 Mo.	48 Mo.	60 Mo.		
Illinois									
Zone 1	TZ4X1	250.00	190.00	130.00	102.00	102.00	90.00	117.00	104.00
Zone 2	TZ4X2	260.00	205.00	140.00	110.00	110.00	97.00	127.00	112.00
Zone 3	TZ4X3	275.00	215.00	155.00	120.00	120.00	105.00	138.00	121.00
Zone 4	TZ4X4	300.00	230.00	165.00	122.50	122.50	107.50	141.00	124.00
Zone 5	TZ4X5	320.00	250.00	175.00	125.00	125.00	110.00(x)	144.00	127.00(x)
Indiana									
Zone 1	TZ4X1	270.00	212.00	147.50	113.00	113.00	102.00	130.00	117.00
Zone 2	TZ4X2	280.00	230.00	157.50	122.00	122.00	110.00	140.00	127.00
Zone 3	TZ4X3	295.00	249.00	175.00	134.00	134.00	120.00	154.00	138.00
Zone 4	TZ4X4	320.00	275.00	185.00	138.00	138.00	124.00	159.00	143.00
Zone 5	TZ4X5	340.00	300.00	200.00	141.00	141.00	127.00	162.00	146.00
Michigan									
Zone 1	TZ4X1	265.00	200.00	140.00	108.00	108.00	98.00	124.00	113.00
Zone 2	TZ4X2	275.00	210.00	150.00	117.00	117.00	106.00	135.00	122.00
Zone 3	TZ4X3	285.00	235.00	165.00	129.00	129.00	115.00	148.00	132.00
Zone 4	TZ4X4	315.00	265.00	175.00	132.00	132.00	118.00	152.00	136.00
Zone 5	TZ4X5	335.00	275.00	190.00	135.00	135.00	121.00	155.00	139.00
Ohio									
Zone 1	TZ4X1	265.00	200.00	140.00	108.00	108.00	98.00	124.00	113.00
Zone 2	TZ4X2	275.00	210.00	150.00	117.00	117.00	106.00	135.00	122.00
Zone 3	TZ4X3	285.00	235.00	165.00	129.00	129.00	115.00	148.00	132.00
Zone 4	TZ4X4	315.00	265.00	175.00	132.00	132.00	118.00	152.00	136.00
Zone 5	TZ4X5	335.00	275.00	190.00	135.00	135.00	121.00	155.00	139.00
Wisconsin									
Zone 1	TZ4X1	270.00	212.00	147.50	113.00	113.00	102.00	130.00	117.00
Zone 2	TZ4X2	280.00	230.00	157.50	122.00	122.00	110.00	140.00	127.00
Zone 3	TZ4X3	295.00	249.00	175.00	134.00	134.00	120.00	154.00	138.00
Zone 4	TZ4X4	320.00	275.00	185.00	138.00	138.00	124.00	159.00	143.00
Zone 5	TZ4X5	340.00	300.00	200.00	141.00	141.00	127.00	162.00	146.00

\* For all Optional Payment Plans and Discount Commitment Programs subscribed to prior to November 18, 2000, see Section 7.5.16 following.

\*\*An Ameritech DS1 DAL is available only when the WATS serving office is an appropriately equipped digital switch.

(x) Issued under authority of Special Permission No. 04-009 of the FCC in order to restore currently effective material and to withdraw material without becoming effective, filed under Transmittal No. 1381.

This page filed under Transmittal No. 1384)

Issued: February 5, 2004

Effective: February 6, 2004

One SBC Plaza, Dallas, Texas 75202

## ACCESS SERVICE

## 7. Special Access Service (Cont'd)

## 7.5 Rates and Charges (Cont'd)

## 7.5.9 Base Rate Services, DS1 Service and DS3 Service (Cont'd)

## (B) DS1 Service (Cont'd)

## (3) Channel Mileage Termination

	USOC	Monthly	12 Mo.	Recurring Charges Optional Payment Plan*				Discount Commitment Program*	
				24 Mo.	36 Mo.	48 Mo.	60 Mo.	36 Mo.	60 Mo.
-	Per Point of Termination								
-	1.544 Mbps								
Illinois									
	Zone 1 CZ4X1	102.50(l)	68.00	45.00	35.00	35.00	21.00	40.25	24.15
	Zone 2 CZ4X2	104.50(l)	70.00	47.00	37.00	37.00	21.50	42.55	24.73
	Zone 3 CZ4X3	104.50(l)	72.00	49.00	39.00	39.00	23.00	44.85	26.45
	Zone 4 CZ4X4	110.00(l)	74.00	51.00	41.00	41.00	25.00	47.15	28.75
	Zone 5 CZ4X5	113.00(l)	76.00	53.00	43.00	43.00	27.00	49.45	31.05
Indiana									
	Zone 1 CZ4X1	106.00(l)	70.00	47.00	37.00	37.00	23.00	42.55	26.45
	Zone 2 CZ4X2	108.00(l)	72.00	49.00	39.00	39.00	23.50	44.85	27.03
	Zone 3 CZ4X3	108.00(l)	74.00	51.00	41.00	41.00	25.00	47.15	28.75
	Zone 4 CZ4X4	113.00(l)	76.00	53.00	43.00	43.00	27.00	49.45	31.05
	Zone 5 CZ4X5	117.00(l)	78.00	55.00	45.00	45.00	29.00	51.75	33.35
Michigan									
	Zone 1 CZ4X1	104.00(l)	69.50	49.00	36.00	36.00	21.75	41.40	25.01
	Zone 2 CZ4X2	106.00(l)	71.50	51.00	38.00	38.00	22.25	43.70	25.59
	Zone 3 CZ4X3	106.00(l)	73.50	53.00	40.00	40.00	23.75	46.00	27.31
	Zone 4 CZ4X4	111.00(l)	75.50	55.00	42.00	42.00	25.75	48.30	29.61
	Zone 5 CZ4X5	115.00(l)	77.50	57.00	44.00	44.00	27.75	50.60	31.91
Ohio									
	Zone 1 CZ4X1	104.00(l)	69.50	49.00	36.00	36.00	21.75	41.40	25.01
	Zone 2 CZ4X2	106.00(l)	71.50	51.00	38.00	38.00	22.25	43.70	25.59
	Zone 3 CZ4X3	106.00(l)	73.50	53.00	40.00	40.00	23.75	46.00	27.31
	Zone 4 CZ4X4	111.00(l)	75.50	55.00	42.00	42.00	25.75	48.30	29.61
	Zone 5 CZ4X5	115.00(l)	77.50	57.00	44.00	44.00	27.75	50.60	31.91
Wisconsin									
	Zone 1 CZ4X1	106.00(l)	70.00	47.00	37.00	37.00	23.00	42.55	26.45
	Zone 2 CZ4X2	108.00(l)	72.00	49.00	39.00	39.00	23.50	44.85	27.03
	Zone 3 CZ4X3	108.00(l)	74.00	51.00	41.00	41.00	25.00	47.15	28.75
	Zone 4 CZ4X4	113.00(l)	76.00	53.00	43.00	43.00	27.00	49.45	31.05
	Zone 5 CZ4X5	117.00(l)	78.00	55.00	45.00	45.00	29.00	51.75	33.35

\*For all Optional Payment Plans and Discount Commitment Programs subscribed to prior to November 18, 2000, see Section 7.5.16 following.

**Rates contained in this transmittal are subject to subsequent adjustment, effective retrospectively, in the event the Commission or a court subsequently authorizes Ameritech to correct its rates pursuant to pending motions, or petitions for reconsideration or waiver, or in the event of any other adjustment to an order of the Commission or a court.**

(This page filed under Transmittal No. 1481)

Issued: June 16, 2005

Effective: July 1, 2005

One SBC Plaza, Dallas, Texas 75202

ACCESS SERVICE

7. Special Access Service (Cont'd)

7.5 Rates and Charges (Cont'd)

7.5.9 Base Rate Services, DS1 Service and DS3 Service (Cont'd)

(B) DS1 Service (Cont'd)

(3) Channel Mileage Termination (Cont'd)

USOC Monthly

-Per Point of Termination  
 -128.0, 256.0, 384.0, 512.0 and 768.0 Kbps

Illinois			
Zone 1	CZ4X1		35.00(R)
Zone 2	CZ4X2		35.00(R)
Zone 3	CZ4X3		35.00(R)
Zone 4	CZ4X4		35.00(R)
Zone 5	CZ4X5		35.00(R)
Indiana			
Zone 1	CZ4X1		35.00(R)
Zone 2	CZ4X2		35.00(R)
Zone 3	CZ4X3		35.00(R)
Zone 4	CZ4X4		35.00(R)
Zone 5	CZ4X5		35.00(R)
Michigan			
Zone 1	CZ4X1		35.00(R)
Zone 2	CZ4X2		35.00(R)
Zone 3	CZ4X3		35.00(R)
Zone 4	CZ4X4		35.00(R)
Zone 5	CZ4X5		35.00(R)
Ohio			
Zone 1	CZ4X1		35.00(R)
Zone 2	CZ4X2		35.00(R)
Zone 3	CZ4X3		35.00(R)
Zone 4	CZ4X4		35.00(R)
Zone 5	CZ4X5		35.00(R)
Wisconsin			
Zone 1	CZ4X1		35.00(R)
Zone 2	CZ4X2		35.00(R)
Zone 3	CZ4X3		35.00(R)
Zone 4	CZ4X4		35.00(R)
Zone 5	CZ4X5		35.00(R)

Rates contained in this transmittal are subject to subsequent adjustment, effective retrospectively, in the event the Commission or a court subsequently authorizes Ameritech to correct its rates pursuant to pending motions, or petitions for reconsideration or waiver, or in the event of any other adjustment to an order of the Commission or a court.

(This page filed under Transmittal No. 1481)

## ACCESS SERVICE

## 7. Special Access Service (Cont'd)

## 7.5 Rates and Charges (Cont'd)

## 7.5.9 Base Rate Services, DS1 Service and DS3 Service (Cont'd)

## (B) DS1 Service (Cont'd)

## (4) Channel Mileage

	USOC	Monthly	12 Mo.	Recurring Charges			60 Mo.	Discount	
				24 Mo.	36 Mo.	48 Mo.		Commitment Program*	
				Optional	Optional	Optional	36 Mo.	60 Mo.	
				Payment	Payment	Payment			
				Plan*	Plan*	Plan*			
- Per Mile									
- 1.544 Mbps									
Illinois									
Zone 1	1YZX1	27.90(l)	24.00	17.00	13.25	13.25	11.00	15.24	12.65
Zone 2	1YZX2	29.00(l)	24.50	18.00	13.45	13.45	11.10	15.47	12.77
Zone 3	1YZX3	32.10(l)	25.00	19.00	13.65	13.65	11.20	15.81	12.88
Zone 4	1YZX4	35.10(l)	26.00	20.00	13.85	13.85	11.30	15.93	13.00
Zone 5	1YZX5	37.90(l)	29.00	21.00	14.05	14.05	11.40	16.16	13.11
Indiana									
Zone 1	1YZX1	27.10	24.25	17.25	13.50	13.50	11.25	15.53	12.94
Zone 2	1YZX2	29.20(l)	24.75	18.25	13.70	13.70	11.35	15.76	13.05
Zone 3	1YZX3	32.40(l)	25.25	19.25	13.90	13.90	11.45	15.99	13.17
Zone 4	1YZX4	35.40(l)	26.25	20.25	14.10	14.10	11.55	16.22	13.28
Zone 5	1YZX5	38.20(l)	29.25	21.25	14.30	14.30	11.65	16.45	13.40
Michigan									
Zone 1	1YZX1	28.00(l)	24.15	17.15	13.40	13.40	11.20	15.41	12.88
Zone 2	1YZX2	29.10(l)	24.65	18.15	13.60	13.60	11.30	15.64	13.00
Zone 3	1YZX3	32.20(l)	25.15	19.15	13.80	13.80	11.40	15.87	13.11
Zone 4	1YZX4	35.20(l)	26.15	20.15	14.00	14.00	11.50	16.10	13.23
Zone 5	1YZX5	38.10(l)	29.15	21.15	14.20	14.20	11.60	16.33	13.34
Ohio									
Zone 1	1YZX1	28.00(l)	24.15	17.15	13.40	13.40	11.20	15.41	12.88
Zone 2	1YZX2	29.10(l)	24.65	18.15	13.60	13.60	11.30	15.64	13.00
Zone 3	1YZX3	32.20(l)	25.15	19.15	13.80	13.80	11.40	15.87	13.11
Zone 4	1YZX4	35.20(l)	26.15	20.15	14.00	14.00	11.50	16.10	13.23
Zone 5	1YZX5	38.10(l)	29.15	21.15	14.20	14.20	11.60	16.33	13.34
Wisconsin									
Zone 1	1YZX1	28.10(l)	24.25	17.25	13.50	13.50	11.25	15.53	12.94
Zone 2	1YZX2	29.20(l)	24.75	18.25	13.70	13.70	11.35	15.76	13.05
Zone 3	1YZX3	32.40(l)	25.25	19.25	13.90	13.90	11.45	15.99	13.17
Zone 4	1YZX4	35.40(l)	26.25	20.25	14.10	14.10	11.55	16.22	13.28
Zone 5	1YZX5	38.20(l)	29.25	21.25	14.30	14.30	11.65	16.45	13.40

\* For all Optional Payment Plans and Discount Commitment Programs subscribed to prior to November 18, 2000, see Section 7.5.16 following.

**Rates contained in this transmittal are subject to subsequent adjustment, effective retrospectively, in the event the Commission or a court subsequently authorizes Ameritech to correct its rates pursuant to pending motions, or petitions for reconsideration or waiver, or in the event of any other adjustment to an order of the Commission or a court.**

(This page filed under Transmittal No. 1481)

ACCESS SERVICE

7. Special Access Service (Cont'd)

7.5 Rates and Charges (Cont'd)

7.5.9 Base Rate Services, DS1 Service and DS3 Service (Cont'd)

(B) DS1 Service (Cont'd)

(4) Channel Mileage (Cont'd)

USOC            Monthly

-Per Mile

-128.0, 256.0, 384.0, 512.0 and 768.0 Kbps

Illinois

Zone 1	1YZX1	9.50(R)
Zone 2	1YZX2	9.50(R)
Zone 3	1YZX3	9.50(R)
Zone 4	1YZX4	9.50(R)
Zone 5	1YZX5	9.50(R)

Indiana

Zone 1	1YZX1	9.50(R)
Zone 2	1YZX2	9.50(R)
Zone 3	1YZX3	9.50(R)
Zone 4	1YZX4	9.50(R)
Zone 5	1YZX5	9.50(R)

Michigan

Zone 1	1YZX1	9.50(R)
Zone 2	1YZX2	9.50(R)
Zone 3	1YZX3	9.50(R)
Zone 4	1YZX4	9.50(R)
Zone 5	1YZX5	9.50(R)

Ohio

Zone 1	1YZX1	9.50(R)
Zone 2	1YZX2	9.50(R)
Zone 3	1YZX3	9.50(R)
Zone 4	1YZX4	9.50(R)
Zone 5	1YZX5	9.50(R)

Wisconsin

Zone 1	1YZX1	9.50(R)
Zone 2	1YZX2	9.50(R)
Zone 3	1YZX3	9.50(R)
Zone 4	1YZX4	9.50(R)
Zone 5	1YZX5	9.50(R)

**Rates contained in this transmittal are subject to subsequent adjustment, effective retrospectively, in the event the Commission or a court subsequently authorizes Ameritech to correct its rates pursuant to pending motions, or petitions for reconsideration or waiver, or in the event of any other adjustment to an order of the Commission or a court.**

(This page filed under Transmittal No. 1481)

ACCESS SERVICE

7. Special Access Service (Cont'd)

7.5 Rates and Charges (Cont'd)

7.5.9 Base Rate Services, DS1 Service and DS3 Service (Cont'd) (T)

(B) DS1 Service (T)

(5) Optional Features and Functions

(a) Clear Channel Capability – per 1.544 Mbps Circuit Arranged\*

	USOC	Nonrecurring Charge	Monthly
<b>Illinois</b>			
Zone 1	CLYX1	None	None
Zone 2	CLYX2	None	None
Zone 3	CLYX3	None	None
Zone 4	CLYX4	None	None
Zone 5	CLYX5	None	None
<b>Indiana</b>			
Zone 1	CLYX1	None	None
Zone 2	CLYX2	None	None
Zone 3	CLYX3	None	None
Zone 4	CLYX4	None	None
Zone 5	CLYX5	None	None
<b>Michigan</b>			
Zone 1	CLYX1	None	None
Zone 2	CLYX2	None	None
Zone 3	CLYX3	None	None
Zone 4	CLYX4	None	None
Zone 5	CLYX5	None	None
<b>Ohio</b>			
Zone 1	CLYX1	None	None
Zone 2	CLYX2	None	None
Zone 3	CLYX3	None	None
Zone 4	CLYX4	None	None
Zone 5	CLYX5	None	None
<b>Wisconsin</b>			
Zone 1	CLYX1	None	None
Zone 2	CLYX2	None	None
Zone 3	CLYX3	None	None
Zone 4	CLYX4	None	None
Zone 5	CLYX5	None	None

\* This charge applies whether the Ameritech DS1 circuit is end-to-end or multiplexed on to a higher speed service.

The previous heading of "All States" has now been expanded to include each state served by the Ameritech Operating Companies.

ACCESS SERVICE

7. Special Access Service (Cont'd)

7.5 Rates and Charges (Cont'd)

7.5.9 Base Rate Services, DS1 Service and DS3 Service (Cont'd)

(B) DS1 Service (Cont'd)

(5) Optional Features and Functions (Cont'd)

(b) Automatic Protection Switching<sup>(1)</sup> – Per Arrangement\*

(C)

	USOC	Nonrecurring Charges	Recurring Charges				60 Mo.	Monthly Extension
			12 Mo.	24 Mo.	36 Mo.	48 Mo.		
Optional Payment Plan**								
Illinois								
Zone 1	AU1X1	400.00	545.00	545.00	337.00	337.00	284.00	635.00
Zone 2	AU1X2	400.00	550.00	550.00	340.00	340.00	287.00	640.00
Zone 3	AU1X3	400.00	570.00	570.00	352.00	352.00	296.00	660.00
Zone 4	AU1X4	400.00	720.00	720.00	402.00	402.00	340.00	840.00
Zone 5	AU1X5	400.00	735.00	735.00	412.00	412.00	348.00	860.00
Indiana								
Zone 1	AU1X1	400.00	565.00	565.00	349.00	349.00	295.00	655.00
Zone 2	AU1X2	400.00	570.00	570.00	353.00	353.00	298.00	660.00
Zone 3	AU1X3	400.00	590.00	590.00	365.00	365.00	307.00	680.00
Zone 4	AU1X4	400.00	745.00	745.00	417.00	417.00	353.00	870.00
Zone 5	AU1X5	400.00	765.00	765.00	427.00	427.00	362.00	890.00
Michigan								
Zone 1	AU1X1	400.00	555.00	555.00	343.00	343.00	289.00	645.00
Zone 2	AU1X2	400.00	560.00	560.00	346.00	346.00	292.00	650.00
Zone 3	AU1X3	400.00	580.00	580.00	359.00	359.00	302.00	670.00
Zone 4	AU1X4	400.00	730.00	730.00	409.00	409.00	346.00	855.00
Zone 5	AU1X5	400.00	750.00	750.00	419.00	419.00	355.00	875.00
Ohio								
Zone 1	AU1X1	400.00	555.00	555.00	343.00	343.00	289.00	645.00
Zone 2	AU1X2	400.00	560.00	560.00	346.00	346.00	292.00	650.00
Zone 3	AU1X3	400.00	580.00	580.00	359.00	359.00	302.00	670.00
Zone 4	AU1X4	400.00	730.00	730.00	409.00	409.00	346.00	855.00
Zone 5	AU1X5	400.00	750.00	750.00	419.00	419.00	355.00	875.00
Wisconsin								
Zone 1	AU1X1	400.00	565.00	565.00	349.00	349.00	295.00	655.00
Zone 2	AU1X2	400.00	570.00	570.00	353.00	353.00	298.00	660.00
Zone 3	AU1X3	400.00	590.00	590.00	365.00	365.00	307.00	680.00
Zone 4	AU1X4	400.00	745.00	745.00	417.00	417.00	353.00	870.00
Zone 5	AU1X5	400.00	765.00	765.00	427.00	427.00	362.00	890.00

\* An additional Local Distribution Channel Charge will apply whenever the spare line is provided as a leg to the customer's premises.

\*\* For all Optional Payment Plans subscribed to prior to November 18, 2000, see section 7.5.16 following.

(1) Automatic Protection Switching will no longer be available to new DS1 Service effective 10/05/2006.  
 There will be no change in service to existing customers.

(N)  
 (N)

This page filed under Transmittal No. 1580)



ACCESS SERVICE

7. Special Access Service (Cont'd)

7.5 Rates and Charges (Cont'd)

7.5.9 Base Rate Services, DS1 Service and DS3 Service (Cont'd)

(B) DS1 Service

(5) Optional Features and Functions

(c) Transfer Arrangement (Key activated\* or dial up\*\*)

(T)

(T)

– Per four port arrangement control channel termination\*\*\*

	USOC	Monthly	Nonrecurring Charge
Illinois			
Zone 1	UTYX1	200.00	None
Zone 2	UTYX2	200.00	None
Zone 3	UTYX3	200.00	None
Zone 4	UTYX4	200.00	None
Zone 5	UTYX5	200.00	None
Indiana			
Zone 1	UTYX1	200.00	None
Zone 2	UTYX2	200.00	None
Zone 3	UTYX3	200.00	None
Zone 4	UTYX4	200.00	None
Zone 5	UTYX5	200.00	None
Michigan			
Zone 1	UTYX1	200.00	None
Zone 2	UTYX2	200.00	None
Zone 3	UTYX3	200.00	None
Zone 4	UTYX4	200.00	None
Zone 5	UTYX5	200.00	None

\* The key activated control channel is rated as a Metallic Local Distribution Channel and Channel Mileage Termination and Channel Mileage, if applicable.

\*\* The Dial-up option requires the customer to purchase the Controller Arrangement from Section 13.3.7 following.

\*\*\* An additional Local Distribution Channel charge will apply whenever the spare line is provided as a leg to the customer premises' serving wire center. Additional channel mileage charges will also apply when the transfer arrangement is not located in the customer premises' serving wire center.

ACCESS SERVICE

7. Special Access Service (Cont'd)

7.5 Rates and Charges (Cont'd)

7.5.9 Base Rate Services, DS1 Service and DS3 Service (Cont'd)

(T)

(B) DS1 Service (Cont'd)

(T)

(5) Optional Features and Functions (Cont'd)

(c) Transfer Arrangement (Key activated\* or dial up\*\*) (Cont'd)

- Per four port arrangement control channel termination\*\*\* (Cont'd)

	USOC	Monthly Rate	Nonrecurring Charge
Ohio			
Zone 1	UTYX1	200.00	None
Zone 2	UTYX2	200.00	None
Zone 3	UTYX3	200.00	None
Zone 4	UTYX4	200.00	None
Zone 5	UTYX5	200.00	None
Wisconsin			
Zone 1	UTYX1	200.00	None
Zone 2	UTYX2	200.00	None
Zone 3	UTYX3	200.00	None
Zone 4	UTYX4	200.00	None
Zone 5	UTYX5	200.00	None

\* The key activated control channel is rated as a Metallic Local Distribution Channel and Channel Mileage Termination and Channel Mileage, if applicable.

\*\* The Dial-up option requires the customer to purchase the Controller Arrangement from Section 13.3.7 following.

\*\*\* An additional Local Distribution Channel charge will apply whenever the spare line is provided as a leg to the customer premises' serving wire center. Additional channel mileage charges will also apply when the transfer arrangement is not located in the customer premises' serving wire center.

Certain material appearing on this page previously appeared on Original Page 412.1.

ACCESS SERVICE

7. Special Access Service (Cont'd)

7.5 Rates and Charges (Cont'd)

7.5.9 Base Rate Services, DS1 Service and DS3 Service (Cont'd)

(B) DS1 Service (Cont'd)

(5) Optional Features and Functions (Cont'd)

(d) Interconnection Central Office Multiplexing

-DS1 to Voice/Base Rate/128.0, 256.0, 384.0, 512.0, 768.0 Kbps Transport\*\*

(N)

	USOC	Monthly	12 Mo.	Recurring Charges			60 Mo.	Discount	
				Optional Payment Plan *				Commitment Program*	
				24 Mo.	36 Mo.	48 Mo.		36 Mo.	60 Mo.
Illinois									
Zone 1	QMVX1	432.00	265.00	252.00	191.00	191.00	168.00	220.00	193.00
Zone 2	QMVX2	436.00	267.00	255.00	193.00	193.00	170.00	222.00	196.00
Zone 3	QMVX3	463.00	281.00	268.00	200.00	200.00	176.00	230.00	202.00
Zone 4	QMVX4	510.00	299.00	285.00	210.00	210.00	186.00	242.00	214.00
Zone 5	QMVX5	520.00	306.00	292.00	215.00	215.00	190.00	247.00	219.00
Indiana									
Zone 1	QMVX1	447.00	274.00	262.00	199.00	199.00	175.00	229.00	201.00
Zone 2	QMVX2	452.00	277.00	265.00	201.00	201.00	177.00	231.00	204.00
Zone 3	QMVX3	480.00	291.00	278.00	208.00	208.00	184.00	239.00	212.00
Zone 4	QMVX4	530.00	310.00	296.00	219.00	219.00	193.00	252.00	222.00
Zone 5	QMVX5	540.00	318.00	303.00	224.00	224.00	198.00	258.00	228.00
Michigan									
Zone 1	QMVX1	440.00	270.00	257.00	195.00	195.00	172.00	224.00	198.00
Zone 2	QMVX2	444.00	272.00	260.00	197.00	197.00	173.00	227.00	199.00
Zone 3	QMVX3	471.00	286.00	273.00	204.00	204.00	180.00	235.00	207.00
Zone 4	QMVX4	520.00	304.00	291.00	214.00	214.00	190.00	246.00	219.00
Zone 5	QMVX5	530.00	312.00	298.00	220.00	220.00	194.00	253.00	223.00
Ohio									
Zone 1	QMVX1	440.00	270.00	257.00	195.00	195.00	172.00	224.00	198.00
Zone 2	QMVX2	444.00	272.00	260.00	197.00	197.00	173.00	227.00	199.00
Zone 3	QMVX3	471.00	286.00	273.00	204.00	204.00	180.00	235.00	207.00
Zone 4	QMVX4	520.00	304.00	291.00	214.00	214.00	190.00	246.00	219.00
Zone 5	QMVX5	530.00	312.00	298.00	220.00	220.00	194.00	253.00	223.00

\* For all Optional Payment Plans and Discount Commitment Programs subscribed to prior to November 18, 2000, see Section 7.5.16 following.

\*\*A channel of this Ameritech DS1 to the hub may be used for Program Audio or Dedicated Access Line Service. Multiple channels may be required to provide individual Program Audio Channels.

(This page filed under Transmittal No. 1390)

Issued: April 21, 2004

Effective: April 22, 2004

ACCESS SERVICE

7. Special Access Service (Cont'd)

7.5 Rates and Charges (Cont'd)

7.5.9 Base Rate Services, DS1 Service and DS3 Service (Cont'd)

(B) DS1 Service (Cont'd)

(5) Optional Features and Functions (Cont'd)

(d) Interconnection Central Office Multiplexing (Cont'd)

- DS1 to Voice/Base Rate/128.0, 256.0, 384.0, 512.0, 768.0 Kbps Transport\*\* (Cont'd)

(N)

	USOC	Monthly	12 Mo.	Recurring Charges Optional Payment Plan *				Discount Commitment Program*	
				24 Mo.	36 Mo.	48 Mo.	60 Mo.	36 Mo.	60 Mo.
Wisconsin									
Zone 1	QMVX1	447.00	274.00	262.00	199.00	199.00	175.00	229.00	201.00
Zone 2	QMVX2	452.00	277.00	265.00	201.00	201.00	177.00	231.00	204.00
Zone 3	QMVX3	480.00	291.00	278.00	208.00	208.00	184.00	239.00	212.00
Zone 4	QMVX4	530.00	310.00	296.00	219.00	219.00	193.00	252.00	222.00
Zone 5	QMVX5	540.00	318.00	303.00	224.00	224.00	198.00	258.00	228.00

\* For all Optional Payment Plans and Discount Commitment Programs subscribed to prior to November 18, 2000, see Section 7.5.16 following.

\*\* A channel of this Ameritech DS1 to the hub may be used for Program Audio or Dedicated Access Line Service. Multiple channels may be required to provide individual Program Audio Channels.

ACCESS SERVICE

7. Special Access Service (Cont'd)

7.5 Rates and Charges (Cont'd)

(D)

(D)

(This page filed under Transmittal No. 1289)

ACCESS SERVICE

7. Special Access Service (Cont'd)

7.5 Rates and Charges (Cont'd)

(D)

(D)

(This page filed under Transmittal No. 1289)

ACCESS SERVICE

7. Special Access Service (Cont'd)

7.5 Rates and Charges (Cont'd)

(D)

(D)

(This page filed under Transmittal No. 1289)

ACCESS SERVICE

7. Special Access Service (Cont'd)

7.5 Rates and Charges (Cont'd)

(D)

(D)

(This page filed under Transmittal No. 1289)

Issued: February 20, 2002

Effective: March 7, 2002

One Bell Plaza, Dallas, Texas 75202



ACCESS SERVICE

7. Special Access Service (Cont'd)

7.5 Rates and Charges (Cont'd)

7.5.9 Base Rate Services, DS1 Service and DS3 Service (Cont'd)

(T)

(B) DS1 Service

(T)

(5) Optional Features and Functions

(e)

ACCESS SERVICE

7. Special Access Service (Cont'd)

7.5 Rates and Charges (Cont'd)

7.5.9 Base Rate Services, DS1 Service and DS3 Service (Cont'd)

(B) DS1 Service (Cont'd)

(5) Optional Features and Functions (Cont'd)

(f) Cross-Connection of Services

– DS1 to DS1 Cross-Connect

	USOC	Nonrecurring Charge
Illinois – 1 Day Response		
Zone 1	CCUA1	325.00
Zone 2	CCUA2	325.00
Zone 3	CCUA3	325.00
Zone 4	CCUA4	325.00
Zone 5	CCUA5	325.00
Indiana – 1 Day Response		
Zone 1	CCUA1	325.00
Zone 2	CCUA2	325.00
Zone 3	CCUA3	325.00
Zone 4	CCUA4	325.00
Zone 5	CCUA5	325.00
Michigan – 1 Day Response		
Zone 1	CCUA1	325.00
Zone 2	CCUA2	325.00
Zone 3	CCUA3	325.00
Zone 4	CCUA4	325.00
Zone 5	CCUA5	325.00
Ohio – 1 Day Response		
Zone 1	CCUA1	325.00
Zone 2	CCUA2	325.00
Zone 3	CCUA3	325.00
Zone 4	CCUA4	325.00
Zone 5	CCUA5	325.00
Wisconsin – 1 Day Response		
Zone 1	CCUA1	325.00
Zone 2	CCUA2	325.00
Zone 3	CCUA3	325.00
Zone 4	CCUA4	325.00
Zone 5	CCUA5	325.00

The previous heading of "All States" has now been expanded to include each state served by the Ameritech Operating Companies.

This page filed under Transmittal No. 1357)

Issued: October 6, 2003

Effective: October 21, 2003

One SBC Plaza, Dallas, Texas 75202

ACCESS SERVICE

7. Special Access Service (Cont'd)

7.5 Rates and Charges (Cont'd)

7.5.9 Base Rate Services, DS1 Service and DS3 Service (Cont'd)

(T)

(B) DS1 Service (Cont'd)

(T)

(5) Optional Features and Functions (Cont'd)

(f) Cross-Connection of Services (Cont'd)

– DS1 to DS1 Cross-Connect (Cont'd)

	USOC	Nonrecurring Charge
Illinois – 3 Day Response		
Zone 1	CCUB1	190.00
Zone 2	CCUB2	190.00
Zone 3	CCUB3	190.00
Zone 4	CCUB4	190.00
Zone 5	CCUB5	190.00
Indiana – 3 Day Response		
Zone 1	CCUB1	190.00
Zone 2	CCUB2	190.00
Zone 3	CCUB3	190.00
Zone 4	CCUB4	190.00
Zone 5	CCUB5	190.00
Michigan – 3 Day Response		
Zone 1	CCUB1	190.00
Zone 2	CCUB2	190.00
Zone 3	CCUB3	190.00
Zone 4	CCUB4	190.00
Zone 5	CCUB5	190.00
Ohio – 3 Day Response		
Zone 1	CCUB1	190.00
Zone 2	CCUB2	190.00
Zone 3	CCUB3	190.00
Zone 4	CCUB4	190.00
Zone 5	CCUB5	190.00
Wisconsin – 3 Day Response		
Zone 1	CCUB1	190.00
Zone 2	CCUB2	190.00
Zone 3	CCUB3	190.00
Zone 4	CCUB4	190.00
Zone 5	CCUB5	190.00

The previous heading of "All States" has now been expanded to include each state served by the Ameritech Operating Companies.

(This page filed under Transmittal No. 1357)

Issued: October 6, 2003

Effective: October 21, 2003

One SBC Plaza, Dallas, Texas 75202

ACCESS SERVICE

7. Special Access Service (Cont'd)

7.5 Rates and Charges (Cont'd)

7.5.9 Base Rate Services, DS1 Service and DS3 Service (Cont'd)

(B) DS1 Service

(5) Optional Features and Functions

(g) Shared Network Arrangement – Processing Charge per Service Order

(T)

(T)

	USOC	Nonrecurring Charge
Illinois		
Zone 1	SRNX1	37.50
Zone 2	SRNX2	37.50
Zone 3	SRNX3	37.50
Zone 4	SRNX4	37.50
Zone 5	SRNX5	37.50
Indiana		
Zone 1	SRNX1	37.50
Zone 2	SRNX2	37.50
Zone 3	SRNX3	37.50
Zone 4	SRNX4	37.50
Zone 5	SRNX5	37.50
Michigan		
Zone 1	SRNX1	37.50
Zone 2	SRNX2	37.50
Zone 3	SRNX3	37.50
Zone 4	SRNX4	37.50
Zone 5	SRNX5	37.50
Ohio		
Zone 1	SRNX1	37.50
Zone 2	SRNX2	37.50
Zone 3	SRNX3	37.50
Zone 4	SRNX4	37.50
Zone 5	SRNX5	37.50
Wisconsin		
Zone 1	SRNX1	37.50
Zone 2	SRNX2	37.50
Zone 3	SRNX3	37.50
Zone 4	SRNX4	37.50
Zone 5	SRNX5	37.50

The previous heading of "All States" has now been expanded to include each state served by the Ameritech Operating Companies.

This page filed under Transmittal No. 1357)

Issued: October 6, 2003

Effective: October 21, 2003

One SBC Plaza, Dallas, Texas 75202

ACCESS SERVICE

/\*7. Special Access Service (Cont'd)

7.5 Rates and Charges (Cont'd)

7.5.9 Base Rate Services, DS1 Service and DS3 Service (Cont'd) (T)

(B) DS1 Service (T)

(5) Optional Features and Functions

(h) ANRS System Location Port Terminations – DS1 Termination

	USOC	Monthly	12 Mo.	Recurring Charges Optional Payment Plan*			
				24 Mo.	36 Mo.	48 Mo.	60 Mo.
Illinois							
Zone 1	PQD11	50.00	46.00	44.00	41.00	40.00	38.00
Zone 2	PQD12	50.00	46.00	44.00	41.00	40.00	38.00
Zone 3	PQD13	50.00	46.00	44.00	41.00	40.00	38.00
Zone 4	PQD14	50.00	46.00	44.00	41.00	40.00	38.00
Zone 5	PQD15	50.00	46.00	44.00	41.00	40.00	38.00
Indiana							
Zone 1	PQD11	50.00	46.00	44.00	41.00	40.00	38.00
Zone 2	PQD12	50.00	46.00	44.00	41.00	40.00	38.00
Zone 3	PQD13	50.00	46.00	44.00	41.00	40.00	38.00
Zone 4	PQD14	50.00	46.00	44.00	41.00	40.00	38.00
Zone 5	PQD15	50.00	46.00	44.00	41.00	40.00	38.00
Michigan							
Zone 1	PQD11	50.00	46.00	44.00	41.00	40.00	38.00
Zone 2	PQD12	50.00	46.00	44.00	41.00	40.00	38.00
Zone 3	PQD13	50.00	46.00	44.00	41.00	40.00	38.00
Zone 4	PQD14	50.00	46.00	44.00	41.00	40.00	38.00
Zone 5	PQD15	50.00	46.00	44.00	41.00	40.00	38.00
Ohio							
Zone 1	PQD11	50.00	46.00	44.00	41.00	40.00	38.00
Zone 2	PQD12	50.00	46.00	44.00	41.00	40.00	38.00
Zone 3	PQD13	50.00	46.00	44.00	41.00	40.00	38.00
Zone 4	PQD14	50.00	46.00	44.00	41.00	40.00	38.00
Zone 5	PQD15	50.00	46.00	44.00	41.00	40.00	38.00
Wisconsin							
Zone 1	PQD11	50.00	46.00	44.00	41.00	40.00	38.00
Zone 2	PQD12	50.00	46.00	44.00	41.00	40.00	38.00
Zone 3	PQD13	50.00	46.00	44.00	41.00	40.00	38.00
Zone 4	PQD14	50.00	46.00	44.00	41.00	40.00	38.00
Zone 5	PQD15	50.00	46.00	44.00	41.00	40.00	38.00

\* For all Optional Payment Plans subscribed to prior to November 18, 2000, see Section 7.5.16 following.

ACCESS SERVICE

7. Special Access Service (Cont'd)

7.5 Rates and Charges (Cont'd)

7.5.9 Base Rate Services, DS1 Service and DS3 Service (Cont'd)

(T)

(B) DS1 Service (Cont'd)

(T)

(5) Optional Features and Functions (Cont'd)

(i) Multiplexer Cross-Connection – Per Central Office

USOC            Monthly

CMO1X          \$15.00

ACCESS SERVICE

7. Special Access Service (Cont'd)

7.5 Rates and Charges (Cont'd)

7.5.9 Base Rate Services, DS1 Service and DS3 Service (Cont'd)

(T)

(B) DS1 Service

(T)

(5) Optional Features and Functions

(j) Shared Facility Channel Service

-Local Distribution Channel	USOC	Monthly	USOC	Nonrecurring Charges	
Illinois					
Zone 1	TWBZ1	60.00	NRBZ1	40.00	
Zone 2	TWBZ2	60.00	NRBZ2	40.00	
Zone 3	TWBZ3	60.00	NRBZ3	40.00	
Zone 4	TWBZ4	60.00	NRMZ4	40.00	(T)
Zone 5	TWBZ5	60.00	NRMZ5	40.00	(T)
Indiana					
Zone 1	TWBZ1	60.00	NRBZ1	40.00	
Zone 2	TWBZ2	60.00	NRBZ2	40.00	(T)
Zone 3	TWBZ3	60.00	NRBZ3	40.00	(T)
Zone 4	TWBZ4	60.00	NRMZ4	40.00	(T)
Zone 5	TWBZ5	60.00	NRMZ5	40.00	(T)
Michigan					
Zone 1	TWBZ1	60.00	NRBZ1	40.00	
Zone 2	TWBZ2	60.00	NRBZ2	40.00	(T)
Zone 3	TWBZ3	60.00	NRBZ3	40.00	(T)
Zone 4	TWBZ4	60.00	NRMZ4	40.00	(T)
Zone 5	TWBZ5	60.00	NRMZ5	40.00	(T)
Ohio					
Zone 1	TWBZ1	60.00	NRBZ1	40.00	
Zone 2	TWBZ2	60.00	NRBZ2	40.00	(T)
Zone 3	TWBZ3	60.00	NRBZ3	40.00	(T)
Zone 4	TWBZ4	60.00	NRMZ4	40.00	(T)
Zone 5	TWBZ5	60.00	NRMZ5	40.00	(T)
Wisconsin					
Zone 1	TWBZ1	60.00	NRBZ1	40.00	
Zone 2	TWBZ2	60.00	NRBZ2	40.00	(T)
Zone 3	TWBZ3	60.00	NRBZ3	40.00	(T)
Zone 4	TWBZ4	60.00	NRMZ4	40.00	(T)
Zone 5	TWBZ5	60.00	NRMZ5	40.00	(T)

The previous heading of "All States" has now been expanded to include each state served by the Ameritech Operating Companies.

(This page filed under Transmittal No. 1424)

ACCESS SERVICE

7. Special Access Service (Cont'd)

7.5 Rates and Charges (Cont'd)

7.5.9 Base Rate Services, DS1 Service and DS3 Service (Cont'd)

(T)

(B) DS1 Service

(T)

(5) Optional Features and Functions

(j) Shared Facility Channel Service (Cont'd)

USOC Monthly

-Channel Mileage  
 Termination Per Point  
 of Termination

Illinois

Zone 1	CZ4Z1	12.50
Zone 2	CZ4Z2	12.50
Zone 3	CZ4Z3	12.50
Zone 4	CZ4Z4	12.50
Zone 5	CZ4Z5	12.50

Indiana

Zone 1	CZ4Z1	12.50
Zone 2	CZ4Z2	12.50
Zone 3	CZ4Z3	12.50
Zone 4	CZ4Z4	12.50
Zone 5	CZ4Z5	12.50

Michigan

Zone 1	CZ4Z1	12.50
Zone 2	CZ4Z2	12.50
Zone 3	CZ4Z3	12.50
Zone 4	CZ4Z4	12.50
Zone 5	CZ4Z5	12.50

Ohio

Zone 1	CZ4Z1	12.50
Zone 2	CZ4Z2	12.50
Zone 3	CZ4Z3	12.50
Zone 4	CZ4Z4	12.50
Zone 5	CZ4Z5	12.50

Wisconsin

Zone 1	CZ4Z1	12.50
Zone 2	CZ4Z2	12.50
Zone 3	CZ4Z3	12.50
Zone 4	CZ4Z4	12.50
Zone 5	CZ4Z5	12.50

The previous heading of "All States" has now been expanded to include each state served by the Ameritech Operating Companies.



ACCESS SERVICE

7. Special Access Service (Cont'd)

7.5 Rates and Charges (Cont'd)

7.5.9 Base Rate Services, DS1 Service and DS3 Service (Cont'd)

(T)

(B) DS1 Service

(T)

(5) Optional Features and Functions

(j) Shared Facility Channel Service (Cont'd)

	USOC	Monthly
-Channel Mileage – Per Mile		
Illinois		
Zone 1	1YZZ1	3.50
Zone 2	1YZZ2	3.50
Zone 3	1YZZ3	3.50
Zone 4	1YZZ4	3.50
Zone 5	1YZZ5	3.50
Indiana		
Zone 1	1YZZ1	3.50
Zone 2	1YZZ2	3.50
Zone 3	1YZZ3	3.50
Zone 4	1YZZ4	3.50
Zone 5	1YZZ5	3.50
Michigan		
Zone 1	1YZZ1	3.50
Zone 2	1YZZ2	3.50
Zone 3	1YZZ3	3.50
Zone 4	1YZZ4	3.50
Zone 5	1YZZ5	3.50
Ohio		
Zone 1	1YZZ1	3.50
Zone 2	1YZZ2	3.50
Zone 3	1YZZ3	3.50
Zone 4	1YZZ4	3.50
Zone 5	1YZZ5	3.50
Wisconsin		
Zone 1	1YZZ1	3.50
Zone 2	1YZZ2	3.50
Zone 3	1YZZ3	3.50
Zone 4	1YZZ4	3.50
Zone 5	1YZZ5	3.50

The previous heading of "All States" has now been expanded to include each state served by the Ameritech Operating Companies.

## ACCESS SERVICE

## 7. Special Access Service (Cont'd)

## 7.5 Rates and Charges (Cont'd)

## 7.5.9 Base Rate Services, DS1 Service and DS3 Service (Cont'd)

## (C) DS3 Service

## (1) Local Distribution Channel – Per point of Termination – Terminating Bit Rate, 44.736 Mbps

## (a) DS3 LDC With Electrical Interface

	USOC	12 Mo.	Recurring Charges				Monthly Extension
			Optional Payment Plan *				
			24 Mo.	36 Mo.	48 Mo.	60 Mo.	
Illinois							
Zone 1	TZUP1	2,200.00	1,800.00	1,045.00(R)	1,045.00(R)	850.00	3,100.00
Zone 2	TZUP2	2,225.00	1,825.00	1,055.00(R)	1,055.00(R)	860.00	3,300.00
Zone 3	TZUP3	2,325.00	1,925.00	1,115.00(R)	1,115.00(R)	910.00	3,500.00
Zone 4	TZUP4	2,500.00	2,100.00	1,145.00(R)	1,145.00(R)	930.00	3,700.00
Zone 5	TZUP5	2,525.00	2,125.00	1,155.00(R)	1,155.00(R)	940.00	3,900.00
Indiana							
Zone 1	TZUP1	2,270.00	1,870.00	1,085.00(R)	1,085.00(R)	870.00	3,200.00
Zone 2	TZUP2	2,295.00	1,895.00	1,095.00(R)	1,095.00(R)	880.00	3,400.00
Zone 3	TZUP3	2,395.00	1,995.00	1,165.00(R)	1,165.00(R)	930.00	3,600.00
Zone 4	TZUP4	2,570.00	2,170.00	1,185.00(R)	1,185.00(R)	950.00	3,800.00
Zone 5	TZUP5	2,595.00	2,195.00	1,195.00(R)	1,195.00(R)	960.00	4,000.00
Michigan							
Zone 1	TZUP1	2,250.00	1,850.00	1,075.00(R)	1,075.00(R)	860.00	3,150.00
Zone 2	TZUP2	2,275.00	1,875.00	1,085.00(R)	1,085.00(R)	870.00	3,350.00
Zone 3	TZUP3	2,375.00	1,975.00	1,145.00(R)	1,145.00(R)	920.00	3,550.00
Zone 4	TZUP4	2,550.00	2,150.00	1,175.00(R)	1,175.00(R)	940.00	3,750.00
Zone 5	TZUP5	2,575.00	2,175.00	1,185.00(R)	1,185.00(R)	950.00	3,950.00
Ohio							
Zone 1	TZUP1	2,250.00	1,850.00	1,075.00(R)	1,080.00	860.00	3,150.00
Zone 2	TZUP2	2,275.00	1,875.00	1,085.00(R)	1,085.00(R)	870.00	3,350.00
Zone 3	TZUP3	2,375.00	1,975.00	1,145.00(R)	1,145.00(R)	920.00	3,550.00
Zone 4	TZUP4	2,550.00	2,150.00	1,175.00(R)	1,175.00(R)	940.00	3,750.00
Zone 5	TZUP5	2,575.00	2,175.00	1,185.00(R)	1,185.00(R)	950.00	3,950.00
Wisconsin							
Zone 1	TZUP1	2,270.00	1,870.00	1,085.00(R)	1,085.00(R)	870.00	3,200.00
Zone 2	TZUP2	2,295.00	1,895.00	1,095.00(R)	1,095.00(R)	880.00	3,400.00
Zone 3	TZUP3	2,395.00	1,995.00	1,165.00(R)	1,165.00(R)	930.00	3,600.00
Zone 4	TZUP4	2,570.00	2,170.00	1,185.00(R)	1,185.00(R)	950.00	3,800.00
Zone 5	TZUP5	2,595.00	2,195.00	1,195.00(R)	1,195.00(R)	960.00	4,000.00

\* For all Optional Payment Plans subscribed to prior to November 18, 2000, see Section 7.5.16, following.

**Rates contained in this transmittal are subject to subsequent adjustment, effective retrospectively, in the event the Commission or a court subsequently authorizes Ameritech to correct its rates pursuant to pending motions, or petitions for reconsideration or waiver, or in the event of any other adjustment to an order of the Commission or a court.**

Material previously appearing on this page now appears on 4th Revised Page 449.33.

(This page filed under Transmittal No. 1481)

Issued: June 16, 2005

Effective: July 1, 2005

One SBC Plaza, Dallas, Texas 75202

ACCESS SERVICE

7. Special Access Service (Cont'd)

7.5 Rates and Charges (Cont'd)

7.5.9 Base Rate Services, DS1 Service and DS3 Service (Cont'd)

(T)

(C) DS3 Service (Cont'd)

(T)

(1) Local Distribution Channel - Per Point of Termination – Terminating Bit Rate 44.736 Mbps (Cont'd)

(b) DS3 Service Package with Optical Interface – Per Package

	USOC	Monthly Extension Rate	Recurring Charges					
			12 Mo.	24 Mo.	36 Mo.	48 Mo.	60 Mo.	
			Optional Payment Plan *					
Illinois								
Zone 1	DS3012	PCG31	22,525.00	18,900.00	18,900.00	7,350.00	7,350.00	4,500.00
	DS3024	PCG31	38,975.00	28,350.00	28,350.00	10,500.00	10,500.00	6,000.00
Zone 2	DS3012	PCG32	22,525.00	18,900.00	18,900.00	7,350.00	7,350.00	4,500.00
	DS3024	PCG32	38,975.00	28,350.00	28,350.00	10,500.00	10,500.00	6,000.00
Zone 3	DS3012	PCG33	22,525.00	18,900.00	18,900.00	7,350.00	7,350.00	4,500.00
	DS3024	PCG33	38,975.00	28,350.00	28,350.00	10,500.00	10,500.00	6,000.00
Zone 4	DS3012	PCG34	22,525.00	18,900.00	18,900.00	7,350.00	7,350.00	4,500.00
	DS3024	PCG34	38,975.00	28,350.00	28,350.00	10,500.00	10,500.00	6,000.00
Zone 5	DS3012	PCG35	22,525.00	18,900.00	18,900.00	7,350.00	7,350.00	4,500.00
	DS3024	PCG35	38,975.00	28,350.00	28,350.00	10,500.00	10,500.00	6,000.00
Indiana								
Zone 1	DS3012	PCG31	22,525.00	18,900.00	18,900.00	7,350.00	7,350.00	4,500.00
	DS3024	PCG31	38,975.00	28,350.00	28,350.00	10,500.00	10,500.00	6,000.00
Zone 2	DS3012	PCG32	22,525.00	18,900.00	18,900.00	7,350.00	7,350.00	4,500.00
	DS3024	PCG32	38,975.00	28,350.00	28,350.00	10,500.00	10,500.00	6,000.00
Zone 3	DS3012	PCG33	22,525.00	18,900.00	18,900.00	7,350.00	7,350.00	4,500.00
	DS3024	PCG33	38,975.00	28,350.00	28,350.00	10,500.00	10,500.00	6,000.00
Zone 4	DS3012	PCG34	22,525.00	18,900.00	18,900.00	7,350.00	7,350.00	4,500.00
	DS3024	PCG34	38,975.00	28,350.00	28,350.00	10,500.00	10,500.00	6,000.00
Zone 5	DS3012	PCG35	22,525.00	18,900.00	18,900.00	7,350.00	7,350.00	4,500.00
	DS3024	PCG35	38,975.00	28,350.00	28,350.00	10,500.00	10,500.00	6,000.00
Michigan								
Zone 1	DS3012	PCG31	22,525.00	18,900.00	18,900.00	7,350.00	7,350.00	4,500.00
	DS3024	PCG31	38,975.00	28,350.00	28,350.00	10,500.00	10,500.00	6,000.00
Zone 2	DS3012	PCG32	22,525.00	18,900.00	18,900.00	7,350.00	7,350.00	4,500.00
	DS3024	PCG32	38,975.00	28,350.00	28,350.00	10,500.00	10,500.00	6,000.00
Zone 3	DS3012	PCG33	22,525.00	18,900.00	18,900.00	7,350.00	7,350.00	4,500.00
	DS3024	PCG33	38,975.00	28,350.00	28,350.00	10,500.00	10,500.00	6,000.00
Zone 4	DS3012	PCG34	22,525.00	18,900.00	18,900.00	7,350.00	7,350.00	4,500.00
	DS3024	PCG34	38,975.00	28,350.00	28,350.00	10,500.00	10,500.00	6,000.00
Zone 5	DS3012	PCG35	22,525.00	18,900.00	18,900.00	7,350.00	7,350.00	4,500.00
	DS3024	PCG35	38,975.00	28,350.00	28,350.00	10,500.00	10,500.00	6,000.00

\*For all Optional Payment Plans subscribed to prior to November 18, 2000, see Section 7.5.16 following.

ACCESS SERVICE

7. Special Access Service (Cont'd)

7.5 Rates and Charges (Cont'd)

7.5.9 Base Rate Services, DS1 Service and DS3 Service (Cont'd)

(C) DS3 Service (Cont'd)

(1) Local Distribution Channel - Per Point of Termination – Terminating Bit Rate 44.736 Mbps (Cont'd)

(b) DS3 Service Package with Optical interface – Per Package (Cont'd)

	USOC		Monthly Extension Rate	Recurring Charges					
				12 Mo.	24 Mo.	36 Mo.	48 Mo.	60 Mo.	
					Optional Payment Plan *				
Ohio									
Zone 1	DS3012	PCG31	22,525.00	18,900.00	18,900.00	7,350.00	7,350.00	4,500.00	
	DS3024	PCG31	38,975.00	28,350.00	28,350.00	10,500.00	10,500.00	6,000.00	
Zone 2	DS3012	PCG32	22,525.00	18,900.00	18,900.00	7,350.00	7,350.00	4,500.00	
	DS3024	PCG32	38,975.00	28,350.00	28,350.00	10,500.00	10,500.00	6,000.00	
Zone 3	DS3012	PCG33	22,525.00	18,900.00	18,900.00	7,350.00	7,350.00	4,500.00	
	DS3024	PCG33	38,975.00	28,350.00	28,350.00	10,500.00	10,500.00	6,000.00	
Zone 4	DS3012	PCG34	22,525.00	18,900.00	18,900.00	7,350.00	7,350.00	4,500.00	
	DS3024	PCG34	38,975.00	28,350.00	28,350.00	10,500.00	10,500.00	6,000.00	
Zone 5	DS3012	PCG35	22,525.00	18,900.00	18,900.00	7,350.00	7,350.00	4,500.00	
	DS3024	PCG35	38,975.00	28,350.00	28,350.00	10,500.00	10,500.00	6,000.00	
Wisconsin									
Zone 1	DS3012	PCG31	22,525.00	18,900.00	18,900.00	7,350.00	7,350.00	4,500.00	
	DS3024	PCG31	38,975.00	28,350.00	28,350.00	10,500.00	10,500.00	6,000.00	
Zone 2	DS3012	PCG32	22,525.00	18,900.00	18,900.00	7,350.00	7,350.00	4,500.00	
	DS3024	PCG32	38,975.00	28,350.00	28,350.00	10,500.00	10,500.00	6,000.00	
Zone 3	DS3012	PCG33	22,525.00	18,900.00	18,900.00	7,350.00	7,350.00	4,500.00	
	DS3024	PCG33	38,975.00	28,350.00	28,350.00	10,500.00	10,500.00	6,000.00	
Zone 4	DS3012	PCG34	22,525.00	18,900.00	18,900.00	7,350.00	7,350.00	4,500.00	
	DS3024	PCG34	38,975.00	28,350.00	28,350.00	10,500.00	10,500.00	6,000.00	
Zone 5	DS3012	PCG35	22,525.00	18,900.00	18,900.00	7,350.00	7,350.00	4,500.00	
	DS3024	PCG35	38,975.00	28,350.00	28,350.00	10,500.00	10,500.00	6,000.00	

\* For all Optional Payment Plans subscribed to prior to November 18, 2000, see Section 7.5.16 following.

ACCESS SERVICE

7. Special Access Service (Cont'd)

7.5 Rates and Charges (Cont'd)

7.5.9 Base Rate Services, DS1 Service and DS3 Service (Cont'd)

(T)

(C) DS3 Service (Cont'd)

(T)

(1) Local Distribution Channel - Per Point of Termination – Terminating Bit Rate 44.736 Mbps (Cont'd)

(c) DS3 Service Channel – Per Termination

- Terminating Bit Rate 44.736 Mbps

- Optical	USOC	Monthly Extension
Illinois		
Zone 1	HZ4X1	500.00
Zone 2	HZ4X2	500.00
Zone 3	HZ4X3	500.00
Zone 4	HZ4X4	500.00
Zone 5	HZ4X5	500.00
Indiana		
Zone 1	HZ4X1	500.00
Zone 2	HZ4X2	500.00
Zone 3	HZ4X3	500.00
Zone 4	HZ4X4	500.00
Zone 5	HZ4X5	500.00
Michigan		
Zone 1	HZ4X1	500.00
Zone 2	HZ4X2	500.00
Zone 3	HZ4X3	500.00
Zone 4	HZ4X4	500.00
Zone 5	HZ4X5	500.00
Ohio		
Zone 1	HZ4X1	500.00
Zone 2	HZ4X2	500.00
Zone 3	HZ4X3	500.00
Zone 4	HZ4X4	500.00
Zone 5	HZ4X5	500.00
Wisconsin		
Zone 1	HZ4X1	500.00
Zone 2	HZ4X2	500.00
Zone 3	HZ4X3	500.00
Zone 4	HZ4X4	500.00
Zone 5	HZ4X5	500.00

The previous heading of "All States" has now been expanded to include each state served by the Ameritech Operating Companies.

This page filed under Transmittal No. 1357)

Issued: October 6, 2003

Effective: October 21, 2003

One SBC Plaza, Dallas, Texas 75202

## ACCESS SERVICE

## 7. Special Access Service (Cont'd)

## 7.5 Rates and Charges (Cont'd)

## 7.5.9 Base Rate Services, DS1 Service and DS3 Service (Cont'd)

## (C) DS3 Service (Cont'd)

## (2) Channel Mileage Termination - Per Point of Termination

	USOC	Monthly Extension Rate	Recurring Charges Optional Payment Plan *				
			12 Mo.	24 Mo.	36 Mo.	48 Mo.	60 Mo.
Illinois							
Zone 1	CZ4X1	625.00(l)	300.00	275.00	250.00	250.00	200.00
Zone 2	CZ4X2	635.00(l)	315.00	290.00	260.00	260.00	210.00
Zone 3	CZ4X3	655.00(l)	330.00	305.00	270.00	270.00	220.00
Zone 4	CZ4X4	725.00(l)	345.00	320.00	280.00	280.00	230.00
Zone 5	CZ4X5	735.00(l)	360.00	335.00	290.00	290.00	240.00
Indiana							
Zone 1	CZ4X1	640.00(l)	320.00	295.00	270.00	270.00	220.00
Zone 2	CZ4X2	655.00(l)	335.00	310.00	280.00	280.00	230.00
Zone 3	CZ4X3	675.00(l)	350.00	325.00	290.00	290.00	240.00
Zone 4	CZ4X4	745.00(l)	365.00	340.00	300.00	300.00	250.00
Zone 5	CZ4X5	760.00(l)	380.00	355.00	310.00	310.00	260.00
Michigan							
Zone 1	CZ4X1	635.00(l)	310.00	285.00	260.00	260.00	210.00
Zone 2	CZ4X2	645.00(l)	325.00	300.00	270.00	270.00	220.00
Zone 3	CZ4X3	665.00(l)	340.00	315.00	280.00	280.00	230.00
Zone 4	CZ4X4	735.00(l)	355.00	330.00	290.00	290.00	240.00
Zone 5	CZ4X5	750.00(l)	370.00	345.00	300.00	300.00	250.00
Ohio							
Zone 1	CZ4X1	635.00(l)	310.00	285.00	260.00	260.00	210.00
Zone 2	CZ4X2	645.00(l)	325.00	300.00	270.00	270.00	220.00
Zone 3	CZ4X3	665.00(l)	340.00	315.00	280.00	280.00	230.00
Zone 4	CZ4X4	735.00(l)	355.00	330.00	290.00	290.00	240.00
Zone 5	CZ4X5	750.00(l)	370.00	345.00	300.00	300.00	250.00
Wisconsin							
Zone 1	CZ4X1	640.00(l)	320.00	295.00	270.00	270.00	220.00
Zone 2	CZ4X2	655.00(l)	335.00	310.00	280.00	280.00	230.00
Zone 3	CZ4X3	675.00(l)	350.00	325.00	290.00	290.00	240.00
Zone 4	CZ4X4	745.00(l)	365.00	340.00	300.00	300.00	250.00
Zone 5	CZ4X5	760.00(l)	380.00	355.00	310.00	310.00	260.00

\* For all Optional Payment Plans subscribed to prior to November 18, 2000, see Section 7.5.16 following.

Material previously appearing on this page now appears on 4th Revised Page 449.34.

**Rates contained in this transmittal are subject to subsequent adjustment, effective retrospectively, in the event the Commission or a court subsequently authorizes Ameritech to correct its rates pursuant to pending motions, or petitions for reconsideration or waiver, or in the event of any other adjustment to an order of the Commission or a court.**

(This page filed under Transmittal No. 1481)

Issued: June 16, 2005

Effective: July 1, 2005

One SBC Plaza, Dallas, Texas 75202

ACCESS SERVICE

7. Special Access Service (Cont'd)

7.5 Rates and Charges (Cont'd)

7.5.9 Base Rate Services, DS1 Service and DS3 Service (Cont'd)

(C) DS3 Service (Cont'd)

(3) Channel Mileage - Per Mile

	USOC	Monthly Extension Rate	Recurring Charges				
			12 Mo.	24 Mo.	36 Mo.	48 Mo.	60 Mo.
Optional Payment Plan *							
Illinois							
Zone 1	1YZX1	189.00(I)	100.00	90.00	55.00	55.00	27.70(R)
Zone 2	1YZX2	199.00(I)	105.00	95.00	57.50	57.50	29.70(R)
Zone 3	1YZX3	216.00(I)	110.00	100.00	60.00	60.00	31.70(R)
Zone 4	1YZX4	229.00(I)	115.00	105.00	62.50	62.50	35.70(R)
Zone 5	1YZX5	234.00(I)	120.00	110.00	65.00	65.00	37.70(R)
Indiana							
Zone 1	1YZX1	195.00(I)	104.00	94.00	57.00	57.00	29.70(R)
Zone 2	1YZX2	204.00(I)	109.00	99.00	59.50	59.50	31.70(R)
Zone 3	1YZX3	222.00(I)	115.00	105.00	62.00	62.00	33.70(R)
Zone 4	1YZX4	236.00(I)	119.00	109.00	64.50	64.50	37.70(R)
Zone 5	1YZX5	241.00(I)	125.00	115.00	67.00	67.00	39.70(R)
Michigan							
Zone 1	1YZX1	192.00(I)	102.00	92.00	56.00	56.00	28.70(R)
Zone 2	1YZX2	201.00(I)	107.00	97.00	58.50	58.50	30.70(R)
Zone 3	1YZX3	219.00(I)	113.00	103.00	61.00	61.00	32.70(R)
Zone 4	1YZX4	233.00(I)	117.00	107.00	63.50	63.50	36.70(R)
Zone 5	1YZX5	237.00(I)	123.00	113.00	66.00	66.00	38.70(R)
Ohio							
Zone 1	1YZX1	192.00(I)	102.00	92.00	56.00	56.00	28.70(R)
Zone 2	1YZX2	201.00(I)	107.00	97.00	58.50	58.50	30.70(R)
Zone 3	1YZX3	219.00(I)	113.00	103.00	61.00	61.00	32.70(R)
Zone 4	1YZX4	233.00(I)	117.00	107.00	63.50	63.50	36.70(R)
Zone 5	1YZX5	237.00(I)	123.00	113.00	66.00	66.00	38.70(R)
Wisconsin							
Zone 1	1YZX1	195.00(I)	104.00	94.00	57.00	57.00	29.70(R)
Zone 2	1YZX2	204.00(I)	109.00	99.00	59.50	59.50	31.70(R)
Zone 3	1YZX3	222.00(I)	115.00	105.00	62.00	62.00	33.70(R)
Zone 4	1YZX4	236.00(I)	119.00	109.00	64.50	64.50	37.70(R)
Zone 5	1YZX5	241.00(I)	125.00	115.00	67.00	67.00	39.70(R)

\* For all Optional Payment Plans subscribed to prior to November 18, 2000, see Section 7.5.16 following.

Material previously appearing on this page now appears on 4th Revised Page 449.34.

Rates contained in this transmittal are subject to subsequent adjustment, effective retrospectively, in the event the Commission or a court subsequently authorizes Ameritech to correct its rates pursuant to pending motions, or petitions for reconsideration or waiver, or in the event of any other adjustment to an order of the Commission or a court.

(This page filed under Transmittal No. 1481)

Issued: June 16, 2005

Effective: July 1, 2005

## ACCESS SERVICE

## 7. Special Access Service (Cont'd)

## 7.5 Rates and Charges (Cont'd)

## 7.5.9 Base Rate Services, DS1 Service and DS3 Service (Cont'd)

## (C) DS3 Service (Cont'd)

## (4) Optional Features and Functions

(a) Interconnection – Central Office Multiplexing – Per Arrangement  
– DS3 to DS1

	USOC	Monthly Extension Rate	Recurring Charges Optional Payment Plan *				
			12 Mo.	24 Mo.	36 Mo.	48 Mo.	60 Mo.
Illinois							
Zone 1	QM3X1	765.00(I)	565.00	570.00(I)	466.00	466.00	420.00
Zone 2	QM3X2	780.00(I)	600.00(I)	590.00(I)	475.00	475.00	430.00
Zone 3	QM3X3	795.00(I)	610.00(I)	595.00	490.00	490.00	445.00
Zone 4	QM3X4	825.00(I)	635.00(I)	620.00	515.00	515.00	460.00
Zone 5	QM3X5	830.00	640.00	635.00(I)	525.00	525.00	470.00
Indiana							
Zone 1	QM3X1	785.00(I)	585.00	590.00(I)	479.00	479.00	430.00
Zone 2	QM3X2	785.00	610.00	600.00	488.00	488.00	440.00
Zone 3	QM3X3	815.00(I)	620.00	615.00(I)	505.00	505.00	455.00
Zone 4	QM3X4	830.00	645.00	640.00(I)	530.00	530.00	470.00
Zone 5	QM3X5	865.00(I)	660.00	655.00(I)	540.00	540.00	485.00
Michigan							
Zone 1	QM3X1	765.00	580.00	585.00(I)	475.00	475.00	425.00
Zone 2	QM3X2	780.00	605.00	595.00	485.00	485.00	435.00
Zone 3	QM3X3	795.00	615.00	605.00	500.00	500.00	450.00
Zone 4	QM3X4	840.00(I)	640.00	635.00(I)	525.00	525.00	465.00
Zone 5	QM3X5	855.00(I)	660.00(I)	650.00(I)	535.00	535.00	480.00
Ohio							
Zone 1	QM3X1	780.00(I)	580.00	585.00(I)	475.00	475.00	425.00
Zone 2	QM3X2	795.00(I)	605.00	600.00(I)	485.00	485.00	435.00
Zone 3	QM3X3	810.00(I)	615.00	605.00	500.00	500.00	450.00
Zone 4	QM3X4	825.00	645.00(I)	635.00(I)	525.00	525.00	465.00
Zone 5	QM3X5	855.00(I)	655.00	650.00(I)	535.00	535.00	480.00
Wisconsin							
Zone 1	QM3X1	785.00(I)	590.00(I)	590.00(I)	479.00	479.00	430.00
Zone 2	QM3X2	800.00(I)	615.00(I)	605.00(I)	488.00	488.00	440.00
Zone 3	QM3X3	815.00(I)	620.00	615.00(I)	505.00	505.00	455.00
Zone 4	QM3X4	845.00(I)	650.00(I)	640.00(I)	530.00	530.00	470.00
Zone 5	QM3X5	865.00(I)	665.00(I)	655.00(I)	540.00	540.00	485.00

\*For all Optional Payment Plans subscribed to prior to November 18, 2000, see Section 7.5.16 following.

Material previously appearing on this page now appears on 5th Revised Page 449.35.

**Rates contained in this transmittal are subject to subsequent adjustment, effective retrospectively, in the event the Commission or a court subsequently authorizes Ameritech to correct its rates pursuant to pending motions, or petitions for reconsideration or waiver, or in the event of any other adjustment to an order of the Commission or a court.**

(This page filed under Transmittal No. 1481)

Issued: June 16, 2005

Effective: July 1, 2005



ACCESS SERVICE

7. Special Access Service (Cont'd)

7.5 Rates and Charges (Cont'd)

7.5.9 Base Rate Services, DS1 Service and DS3 Service (Cont'd) (T)

(C) DS3 Service (Cont'd) (T)

(4) Optional Features and Functions (Cont'd)

(b) Cross-Connection of Services – DS3 to DS3  
 Nonrecurring  
 Charge

	USOC	
Illinois – 1 Day Response		
Zone 1	CCUC1	350.00
Zone 2	CCUC2	350.00
Zone 3	CCUC3	350.00
Zone 4	CCUC4	350.00
Zone 5	CCUC5	350.00
Indiana – 1 Day Response		
Zone 1	CCUC1	350.00
Zone 2	CCUC2	350.00
Zone 3	CCUC3	350.00
Zone 4	CCUC4	350.00
Zone 5	CCUC5	350.00
Michigan – 1 Day Response		
Zone 1	CCUC1	350.00
Zone 2	CCUC2	350.00
Zone 3	CCUC3	350.00
Zone 4	CCUC4	350.00
Zone 5	CCUC5	350.00
Ohio – 1 Day Response		
Zone 1	CCUC1	350.00
Zone 2	CCUC2	350.00
Zone 3	CCUC3	350.00
Zone 4	CCUC4	350.00
Zone 5	CCUC5	350.00
Wisconsin – 1 Day Response		
Zone 1	CCUC1	350.00
Zone 2	CCUC2	350.00
Zone 3	CCUC3	350.00
Zone 4	CCUC4	350.00
Zone 5	CCUC5	350.00

The previous heading of "All States" has now been expanded to include each state served by the Ameritech Operating Companies.

This page filed under Transmittal No. 1357)

Issued: October 6, 2003

Effective: October 21, 2003

One SBC Plaza, Dallas, Texas 75202

ACCESS SERVICE

7. Special Access Service (Cont'd)

7.5 Rates and Charges (Cont'd)

7.5.9 Base Rate Services, DS1 Service and DS3 Service (Cont'd) (T)

(C) DS3 Service (Cont'd) (T)

(4) Optional Features and Functions (Cont'd)

(b) Cross-Connection of Services – DS3 to DS3 (Cont'd)

	USOC	Nonrecurring Charge
Illinois – 3 Day Response		
Zone 1	CCUD1	205.00
Zone 2	CCUD2	205.00
Zone 3	CCUD3	205.00
Zone 4	CCUD4	205.00
Zone 5	CCUD5	205.00
Indiana – 3 Day Response		
Zone 1	CCUD1	205.00
Zone 2	CCUD2	205.00
Zone 3	CCUD3	205.00
Zone 4	CCUD4	205.00
Zone 5	CCUD5	205.00
Michigan – 3 Day Response		
Zone 1	CCUD1	205.00
Zone 2	CCUD2	205.00
Zone 3	CCUD3	205.00
Zone 4	CCUD4	205.00
Zone 5	CCUD5	205.00
Ohio – 3 Day Response		
Zone 1	CCUD1	205.00
Zone 2	CCUD2	205.00
Zone 3	CCUD3	205.00
Zone 4	CCUD4	205.00
Zone 5	CCUD5	205.00
Wisconsin – 3 Day Response		
Zone 1	CCUD1	205.00
Zone 2	CCUD2	205.00
Zone 3	CCUD3	205.00
Zone 4	CCUD4	205.00
Zone 5	CCUD5	205.00

The previous heading of "All States" has now been expanded to include each state served by the Ameritech Operating Companies.

This page filed under Transmittal No. 1357)

Issued: October 6, 2003

Effective: October 21, 2003

ACCESS SERVICE

7. Special Access Service (Cont'd)

7.5 Rates and Charges (Cont'd)

7.5.9 Base Rate Services, DS1 Service and DS3 Service (Cont'd)

(T)

(C) DS3 Service (Cont'd)

(T)

(4) Optional Features and Functions

(c) ANRS System Location Port Termination – Per DS3 Termination

	USOC	Monthly Extension Rate	Recurring Charges Optional Payment Plan *				
			12 Mo.	24 Mo.	36 Mo.	48 Mo.	60 Mo.
Illinois							
Zone 1	R6SX1	250.00	200.00	175.00	160.00	155.00	145.00
Zone 2	R6SX2	250.00	200.00	175.00	160.00	155.00	145.00
Zone 3	R6SX3	250.00	200.00	175.00	160.00	155.00	145.00
Zone 4	R6SX4	250.00	200.00	175.00	160.00	155.00	145.00
Zone 5	R6SX5	250.00	200.00	175.00	160.00	155.00	145.00
Indiana							
Zone 1	R6SX1	250.00	200.00	175.00	160.00	155.00	145.00
Zone 2	R6SX2	250.00	200.00	175.00	160.00	155.00	145.00
Zone 3	R6SX3	250.00	200.00	175.00	160.00	155.00	145.00
Zone 4	R6SX4	250.00	200.00	175.00	160.00	155.00	145.00
Zone 5	R6SX5	250.00	200.00	175.00	160.00	155.00	145.00
Michigan							
Zone 1	R6SX1	250.00	200.00	175.00	160.00	155.00	145.00
Zone 2	R6SX2	250.00	200.00	175.00	160.00	155.00	145.00
Zone 3	R6SX3	250.00	200.00	175.00	160.00	155.00	145.00
Zone 4	R6SX4	250.00	200.00	175.00	160.00	155.00	145.00
Zone 5	R6SX5	250.00	200.00	175.00	160.00	155.00	145.00
Ohio							
Zone 1	R6SX1	250.00	200.00	175.00	160.00	155.00	145.00
Zone 2	R6SX2	250.00	200.00	175.00	160.00	155.00	145.00
Zone 3	R6SX3	250.00	200.00	175.00	160.00	155.00	145.00
Zone 4	R6SX4	250.00	200.00	175.00	160.00	155.00	145.00
Zone 5	R6SX5	250.00	200.00	175.00	160.00	155.00	145.00
Wisconsin							
Zone 1	R6SX1	250.00	200.00	175.00	160.00	155.00	145.00
Zone 2	R6SX2	250.00	200.00	175.00	160.00	155.00	145.00
Zone 3	R6SX3	250.00	200.00	175.00	160.00	155.00	145.00
Zone 4	R6SX4	250.00	200.00	175.00	160.00	155.00	145.00
Zone 5	R6SX5	250.00	200.00	175.00	160.00	155.00	145.00

\* For all Optional Payment Plans subscribed to prior to November 18, 2000, see Section 7.5.16 following.

ACCESS SERVICE

7. Special Access Service (Cont'd)

7.5 Rates and Charges (Cont'd)

7.5.9 Base Rate Services, DS1 Service and DS3 Service (Cont'd) (T)

(C) DS3 Service (Cont'd) (T)

(4) Optional Features and Functions (Cont'd)

(d) Multiplexer Cross-Connection – Per Central Office

	USOC	Monthly
Illinois		
Zone 1	CMO31	11.25
Zone 2	CMO32	12.60
Zone 3	CMO33	16.50
Zone 4	CMO34	18.75
Zone 5	CMO35	22.50
Indiana		
Zone 1	CMO31	11.25
Zone 2	CMO32	12.60
Zone 3	CMO33	16.50
Zone 4	CMO34	18.75
Zone 5	CMO35	22.50
Michigan		
Zone 1	CMO31	11.25
Zone 2	CMO32	12.60
Zone 3	CMO33	16.50
Zone 4	CMO34	18.75
Zone 5	CMO35	22.50
Ohio		
Zone 1	CMO31	11.25
Zone 2	CMO32	12.60
Zone 3	CMO33	16.50
Zone 4	CMO34	18.75
Zone 5	CMO35	22.50
Wisconsin		
Zone 1	CMO31	11.25
Zone 2	CMO32	12.60
Zone 3	CMO33	16.50
Zone 4	CMO34	18.75
Zone 5	CMO35	22.50

The previous heading of "All States" has now been expanded to include each state served by the Ameritech Operating Companies.

ACCESS SERVICE

7. Special Access Service (Cont'd)

7.5 Rates and Charges (Cont'd)

7.5.9 Base Rate Services, DS1 Service and DS1 and DS3 Service (Cont'd) (T)

(D) Network Reconfiguration Service (NRS) (T)

	USOC	Monthly	12 Mo.	Recurring Charges Optional Payment Plan			60 Mo.	Nonrecurring Charge	
				24 Mo.	36 Mo.	48 Mo.			
(1) NRS Service Charge - Per Customer Database	FN6DD	\$240.00	\$228.00	\$221.00	\$204.00	\$198.00	\$192.00	\$3,000.00	(T)
(2) Database Modification - Per Modification	FN6DC	<-----None----->						150.00	
(3) NRS Access Arrangement - Per Arrangement	RNQPA	210.00	199.50	193.20	178.50	173.25	168.00	75.00	(T)
(4) Attendant Access  - Per first 30 minutes per occurrence	NRBN1	<-----None----->						55.00	
- Per additional 15 minute increments	NRBNA	<-----None----->						10.00	
(5) NRS Training - Per hour of additional training	NRBNT	<-----None----->						50.00	(T)

This page filed under Transmittal No. 1357)

Issued: October 6, 2003

Effective: October 21, 2003

ACCESS SERVICE

7. Special Access Service (Cont'd)

7.5 Rates and Charges (Cont'd)

7.5.10<sup>(1)</sup>

(D)

<sup>(1)</sup> Material in this Section has been de-tariffed as required by the Commission upon use of the forbearance relief pursuant to FCC Memorandum Opinion and Order No. 07-180, released October 12, 2007. Terms and Conditions associated with de-tariffed services are available at [www.att.com/guidebook](http://www.att.com/guidebook).

(This page filed under Transmittal No. 1666)

ACCESS SERVICE

7. Special Access Service (Cont'd)

7.5 Rates and Charges (Cont'd)

7.5.10<sup>(1)</sup>

(D)

<sup>(1)</sup> See footnote (1) on page 417.

(This page filed under Transmittal No. 1666)

ACCESS SERVICE

7. Special Access Service (Cont'd)

7.5 Rates and Charges (Cont'd)

7.5.10<sup>(1)</sup>

(D)

<sup>(1)</sup> See footnote (1) on page 417.

(This page filed under Transmittal No. 1666)



ACCESS SERVICE

7. Special Access Service (Cont'd)

7.5 Rates and Charges (Cont'd)

7.5.10<sup>(1)</sup>

(D)

<sup>(1)</sup> See footnote (1) on page 417.

(This page filed under Transmittal No. 1666)

ACCESS SERVICE

7. Special Access Service (Cont'd)

7.5 Rates and Charges (Cont'd)

7.5.10<sup>(1)</sup>

(D)

<sup>(1)</sup> See footnote (1) on page 417.

(This page filed under Transmittal No. 1666)

ACCESS SERVICE

7. Special Access Service (Cont'd)

7.5 Rates and Charges (Cont'd)

7.5.10<sup>(1)</sup>

(D)

<sup>(1)</sup> See footnote (1) on page 417.

(This page filed under Transmittal No. 1666)

ACCESS SERVICE

7. Special Access Service (Cont'd)

7.5 Rates and Charges (Cont'd)

7.5.10<sup>(1)</sup>

(D)

<sup>(1)</sup> See footnote (1) on page 417.

(This page filed under Transmittal No. 1666)

ACCESS SERVICE

7. Special Access Service (Cont'd)

7.5 Rates and Charges (Cont'd)

7.5.10<sup>(1)</sup>

(D)

<sup>(1)</sup> See footnote (1) on page 417.

(This page filed under Transmittal No. 1666)

ACCESS SERVICE

7. Special Access Service (Cont'd)

7.5 Rates and Charges (Cont'd)

7.5.10<sup>(1)</sup>

(D)

<sup>(1)</sup> See footnote (1) on page 417.

(This page filed under Transmittal No. 1666)

ACCESS SERVICE

7. Special Access Service (Cont'd)

7.5 Rates and Charges (Cont'd)

7.5.10<sup>(1)</sup>

(D)

<sup>(1)</sup> See footnote (1) on page 417.

(This page filed under Transmittal No. 1666)

ACCESS SERVICE

7. Special Access Service (Cont'd)

7.5 Rates and Charges (Cont'd)

7.5.10<sup>(1)</sup>

(D)

<sup>(1)</sup> See footnote (1) on page 417.

(This page filed under Transmittal No. 1666)



ACCESS SERVICE

7. Special Access Service (Cont'd)

7.5 Rates and Charges (Cont'd)

7.5.10<sup>(1)</sup>

(D)

<sup>(1)</sup> See footnote (1) on page 417.

(This page filed under Transmittal No. 1666)

ACCESS SERVICE

7. Special Access Service (Cont'd)

7.5 Rates and Charges (Cont'd)

7.5.10<sup>(1)</sup>

(D)

<sup>(1)</sup> See footnote (1) on page 417.

(This page filed under Transmittal No. 1666)

ACCESS SERVICE

7. Special Access Service (Cont'd)

7.5 Rates and Charges (Cont'd)

7.5.10<sup>(1)</sup>

(D)

<sup>(1)</sup> See footnote (1) on page 417.

(This page filed under Transmittal No. 1666)

ACCESS SERVICE

7. Special Access Service (Cont'd)

7.5 Rates and Charges (Cont'd)

7.5.11<sup>(1)</sup>

(D)

<sup>(1)</sup> Material in this Section has been de-tariffed as required by the Commission upon use of the forbearance relief pursuant to FCC Memorandum Opinion and Order No. 07-180, released October 12, 2007. Terms and Conditions associated with de-tariffed services are available at [www.att.com/guidebook](http://www.att.com/guidebook).

(This page filed under Transmittal No. 1666)

ACCESS SERVICE

7. Special Access Service (Cont'd)

7.5 Rates and Charges (Cont'd)

7.5.11<sup>(1)</sup>

(D)

<sup>(1)</sup> See footnote (1) on page 418.1.2.

(This page filed under Transmittal No. 1666)

ACCESS SERVICE

7. Special Access Service (Cont'd)

7.5 Rates and Charges (Cont'd)

7.5.11<sup>(1)</sup>

(D)

<sup>(1)</sup> See footnote (1) on page 418.1.2.

(This page filed under Transmittal No. 1666)

ACCESS SERVICE

7. Special Access Service (Cont'd)

7.5 Rates and Charges (Cont'd)

7.5.11<sup>(1)</sup>

(D)

<sup>(1)</sup> See footnote (1) on page 418.1.2.

(This page filed under Transmittal No. 1666)

ACCESS SERVICE

7. Special Access Service (Cont'd)

7.5 Rates and Charges (Cont'd)

7.5.11<sup>(1)</sup>

(D)

<sup>(1)</sup> See footnote (1) on page 418.1.2.

(This page filed under Transmittal No. 1666)



ACCESS SERVICE

7. Special Access Service (Cont'd)

7.5 Rates and Charges (Cont'd)

7.5.11<sup>(1)</sup>

(D)

<sup>(1)</sup> See footnote (1) on page 418.1.2.

(This page filed under Transmittal No. 1666)

ACCESS SERVICE

7. Special Access Service (Cont'd)

7.5 Rates and Charges (Cont'd)

7.5.11<sup>(1)</sup>

(D)

<sup>(1)</sup> See footnote (1) on page 418.1.2.

(This page filed under Transmittal No. 1666)

ACCESS SERVICE

7. Special Access Service (Cont'd)

7.5 Rates and Charges (Cont'd)

7.5.11<sup>(1)</sup>

(D)

<sup>(1)</sup> See footnote (1) on page 418.1.2.

(This page filed under Transmittal No. 1666)

ACCESS SERVICE

7. Special Access Service (Cont'd)

7.5 Rates and Charges (Cont'd)

7.5.11<sup>(1)</sup>

(D)

<sup>(1)</sup> See footnote (1) on page 418.1.2.

(This page filed under Transmittal No. 1666)

ACCESS SERVICE

7. Special Access Service (Cont'd)

7.5 Rates and Charges (Cont'd)

7.5.12 SONET Xpress Service

	USOC	Monthly Extension	12 Mo.*	Recurring Charges Optional Payment Plan			
				24 Mo.*	36 Mo.*	48 Mo.*	60 Mo.*
(A) Network Access Connection All States							
- Per DS1 Customer Premises Termination	NYA1X	\$ 157.00	\$131.00	\$131.00	\$118.00	\$118.00	\$85.00(R)
- Per DS3 Customer Premises Termination	NYA3X	1,861.00	1,550.00	1,472.00	1,396.00	1,318.00	1,240.00
Per OC-12 Customer Premises Termination	NYABX	45,778.00	38,454.00	38,454.00	35,249.00	35,249.00	21,000.00(R)
Per OC-12 Customer Premises Termination Sorted and Grouped	NYGBX	33,062.00	27,772.00	27,772.00	25,788.00	25,788.00	14,878.00
(B) Off-Network Access Connection All States							
- Per DS1 Central Office Connection	NYO1X	90.00	75.00	75.00	50.00	50.00	25.00(R)
- Per DS3 Central Office Connection	NYO3X	100.00(R)	90.00	90.00	65.00	65.00	50.00(R)
- Per OC-3 Central Office Connection	NYOAX	444.00	370.00	370.00	335.00	335.00	295.00

\* For 12, 24, 36, 48 and 60 month Optional Payment Plans subscribed to prior to July 1, 1999, see Section 7.5.16 following.

Material previously appearing on this page now appears on 4th Revised Page 449.40 and 4th Revised Page 449.41.

**Rates contained in this transmittal are subject to subsequent adjustment, effective retrospectively, in the event the Commission or a court subsequently authorizes Ameritech to correct its rates pursuant to pending motions, or petitions for reconsideration or waiver, or in the event of any other adjustment to an order of the Commission or a court.**

(This page filed under Transmittal No. 1481)

ACCESS SERVICE

7. Special Access Service (Cont'd)

7.5 Rates and Charges (Cont'd)

7.5.12 SONET Xpress Service (Cont'd)

	USOC	Monthly Extension	12 Mo.	Recurring Charges Optional Payment Plan			
				24 Mo.*	36 Mo.	48 Mo.*	60 Mo.
(B) Off-Network Access Connection All States (Cont'd)							
- Per OC-12 Central Office Connection	NYOBX	\$ 750.00	\$625.00	\$625.00	\$580.00	\$580.00	\$550.00
(C) DS3 Payload Multiplexing Function All States							
- Per DS3/STS-1 to/from DS1/VT 1.5 on the Network	MPEMX	375.00(R)	350.00(R)	350.00(R)	325.00	325.00	300.00(R)
(D) Service Area Transport All States							
- Per Band on the Network DS1/VT1.5 Point to Point							
- up to 3 miles			1Y6AA	\$ 52.00			
- greater than 3 miles up to 10 miles			1Y6AB	75.00(R)			
- greater than 10 miles			1Y6AC	108.00			
- Per Band on the Network DS3/STS-1 Point to Point							
- up to 3 miles			1Y6BA	728.00			
- greater than 3 miles up to 10 miles			1Y6BB	1,064.00			
- greater than 10 miles			1Y6BC	1,512.00			

\* For 24 and 48 month Optional Payment Plans subscribed to prior to July 1, 1999, see Section 7.5.16 following.

Material previously appearing on this page now appears on 4th Revised Page 449.41.

Rates contained in this transmittal are subject to subsequent adjustment, effective retrospectively, in the event the Commission or a court subsequently authorizes Ameritech to correct its rates pursuant to pending motions, or petitions for reconsideration or waiver, or in the event of any other adjustment to an order of the Commission or a court.

(This page filed under Transmittal No. 1481)

ACCESS SERVICE

7. Special Access Service (Cont'd)

7.5 Rates and Charges (Cont'd)

7.5.12 SONET Xpress Service (Cont'd)

	USOC	Recurring Charges Monthly
(D) Service Area		
Transport		
All States (cont'd)		
- Per Band on the Network DS3, OC-3 or OC-12 channelized on a per DS1/VT1.5 Basis		
- up to 3 miles	1Y6EA	\$ 23.00(R)
- greater than 3 miles up to 10 Miles	1Y6EB	35.00(R)
- greater than 10 Miles	1Y6EC	45.00(R)
	USOC	Nonrecurring Charge
(E) Shared Network		
Arrangement		
All States		
Processing		
Charge Per		
Service Order	NRBOP	\$ 30.00

Rates contained in this transmittal are subject to subsequent adjustment, effective retrospectively, in the event the Commission or a court subsequently authorizes Ameritech to correct its rates pursuant to pending motions, or petitions for reconsideration or waiver, or in the event of any other adjustment to an order of the Commission or a court.

(This page filed under Transmittal No. 1481)

Issued: June 16, 2005

Effective: July 1, 2005

One SBC Plaza, Dallas, Texas 75202

ACCESS SERVICE

7. Special Access Service (Cont'd)

7.5 Rates and Charges (Cont'd)

7.5.13<sup>(1)</sup>

(D)

<sup>(1)</sup> Material in this Section has been de-tariffed as required by the Commission upon use of the forbearance relief pursuant to FCC Memorandum Opinion and Order No. 07-180, released October 12, 2007. Terms and Conditions associated with de-tariffed services are available at [www.att.com/guidebook](http://www.att.com/guidebook).

(This page filed under Transmittal No. 1666)



ACCESS SERVICE

7. Special Access Service (Cont'd)

7.5 Rates and Charges (Cont'd)

7.5.13<sup>(1)</sup>

(D)

<sup>(1)</sup> See footnote (1) on page 418.2.

(This page filed under Transmittal No. 1666)

ACCESS SERVICE

7. Special Access Service (Cont'd)

7.5 Rates and Charges (Cont'd)

7.5.13<sup>(1)</sup>

(D)

<sup>(1)</sup> See footnote (1) on page 418.2.

(This page filed under Transmittal No. 1666)

ACCESS SERVICE

7. Special Access Service (Cont'd)

Dx

Dx

x State specific rates previously shown on this page now appear as aggregate rates  
on 29th Revised Page 410, 12th Revised Page 411 and 22nd Revised Page 415.1.

Issued: December 14, 1992

Effective: January 28, 1993

Assistant Vice President, 4F08  
2000 W. Ameritech Center Drive  
Hoffman Estates, Illinois 60196-1025

ACCESS SERVICE

7. Special Access Service (Cont'd)

Dx

Dx

x State specific rates previously shown on this page now appear as aggregate rates on 29th Revised Page 410, 17th Revised Page 410.1 and 12th Revised Page 411.

Issued: December 14, 1992

Effective: January 28, 1993

Assistant Vice President, 4F08  
2000 W. Ameritech Center Drive  
Hoffman Estates, Illinois 60196-1025

ACCESS SERVICE

7. Special Access Service (Cont'd)

7.5 Rates and Charges (Cont'd)

D

(TR743)

Issued: September 23, 1993

Effective: November 7, 1993

Director, Federal Regulatory, 4F20  
2000 W. Ameritech Center Drive  
Hoffman Estates, Illinois 60196-1025

ACCESS SERVICE

7. Special Access Service (Cont'd)

Dx

Dx

x State specific rates previously shown on this page now appear as aggregate rates on 17th Revised Page 410.1 and 29th Revised Page 412.(TR)

---

Issued: December 14, 1992

Effective: January 28, 1993

Assistant Vice President, 4F08  
2000 W. Ameritech Center Drive  
Hoffman Estates, Illinois 60196-1025

ACCESS SERVICE

7. Special Access Service (Cont'd)

Dx

Dx

x State specific rates previously shown on this page now appear  
as aggregate rates on 29th Revised Page 412.  
(TR681)

Issued: December 14, 1992

Effective: January 28, 1993

Assistant Vice President, 4F08  
2000 W. Ameritech Center Drive  
Hoffman Estates, Illinois 60196-102

ACCESS SERVICE

7. Special Access Service (Cont'd)

Dx

Dx

x State specific rates previously shown on this page now appear as aggregate rates on 21st Revised Page 413, 1st Revised Page 413.1 and 22nd Revised Page 415.1.

(TR681)

Issued: December 14, 1992

Effective: January 28, 1993

Director, Federal Regulatory, 4F20  
2000 W. Ameritech Center Drive  
Hoffman Estates, Illinois 60196-1025



ACCESS SERVICE

7. Special Access Service (Cont'd)

Dx

Dx

x State specific rates previously shown on this page now appear as aggregate rates on 9th Revised Page 410.2, 7th Revised Page 413.2 and 22nd Revised Page 415.1.

(TR681)

Issued: December 14, 1992

Effective: January 28, 1993

Assistant Vice President, 4F08  
2000 W. Ameritech Center Drive  
Hoffman Estates, Illinois 60196-1025

ACCESS SERVICE

7. Special Access Service (Cont'd)

Dx

Dx

x State specific rates previously shown on this page now appear as aggregate rates on 17th Revised Page 410.1, 9th Revised Page 410.2 and 7th Revised Page 413.2.

(TR681)

Issued: December 14, 1992

Effective: January 28, 1993

Assistant Vice President, 4F08  
2000 W. Ameritech Center Drive  
Hoffman Estates, Illinois 60196-1025

ACCESS SERVICE

7. Special Access Service (Cont'd)

Dx

Dx

x State specific rates previously shown on this page now appear as aggregate rates on 11th Revised Page 416.

(TR681)

Issued: December 14, 1992

Effective: January 28, 1993

Assistant Vice President, 4F08  
2000 W. Ameritech Center Drive  
Hoffman Estates, Illinois 60196-1025

ACCESS SERVICE

7. Special Access Service (Cont'd)

Dx

Dx

x State specific rates previously shown on this page now appear as aggregate rates on 29th Revised Page 410.

(TR681)

Issued: December 14, 1992

Effective: January 28, 1993

Assistant Vice President, 4F08  
2000 W. Ameritech Center Drive  
Hoffman Estates, Illinois 60196-1025

ACCESS SERVICE

7. Special Access Service (Cont'd)

Dx

Dx

x State specific rates previously shown on this page now appear  
as aggregate rates on 12th Revised Page 411.

(TR681)

Issued: December 14, 1992

Effective: January 28, 1993

Assistant Vice President, 4F08  
2000 W. Ameritech Center Drive  
Hoffman Estates, Illinois 60196-1025

ACCESS SERVICE

7. Special Access Service (Cont'd)

Dx

Dx

x State specific rates previously shown on this page now appear as aggregate rates on 17th Revised Page 414.

(TR681)

Issued: December 14, 1992

Effective: January 28, 1993

Assistant Vice Presidentm 4F08  
2000 W. Ameritech Center Drive  
Hoffman Estates, Illinois 60196-1025

ACCESS SERVICE

7. Special Access Service (Cont'd)

Dx

Dx

x State specific rates previously shown on this page now appear as aggregate rates on 29th Revised Page 410, 12th Revised Page 411 and 22nd Revised Page 415.1

(TR681)

Issued: December 14, 1992

Effective: January 28, 1993

Assistant Vice President, 4F08  
2000 W. Ameritech Center Drive  
Hoffman Estates, Illinois 60196-1025

ACCESS SERVICE

7. Special Access Service (Cont'd)

Dx

Dx

x State specific rates previously shown on this page now appear as aggregate rates on 29th Revised Page 410, 17th Revised Page 410.1, 12th Revised Page 411 and 22nd Revised Page 415.1.

(TR681)

Issued: December 14, 1992

Effective: January 28, 1993

Assistant Vice President, 4F08  
2000 W. Ameritech Center Drive  
Hoffman Estates, Illinois 60196-1025



ACCESS SERVICE

7. Special Access Service (Cont'd)

Dx

Dx

x State specific rates previously shown on this page now appear as aggregate rates on 17th Revised Page 410.1 and 29th Revised Page 412.

(TR681)

Issued: December 14, 1992

Effective: January 28, 1993

Assistant Vice President, 4F08  
2000 W. Ameritech Center Drive  
Hoffman Estates, Illinois 60196-1025

ACCESS SERVICE

7. Special Access Service (Cont'd)

Dx

Dx

x State specific rates previously shown on this page now appear  
as aggregate rates on 29th Revised Page 412

(TR681)

Issued: December 14, 1992

Effective: January 28, 1993

Assistant Vice President, 4F08  
2000 W. Ameritech Center Drive  
Hoffman Estates, Illinois 60196-1025

ACCESS SERVICE

7. Special Access Service (Cont'd)

Dx

Dx

x State specific rates previously shown on this page now appear as aggregate rates on 21st Revised Page 413, 1st Revised Page 413.1, 1and 22nd Revised Page 415.1.

(TR681)

Issued: December 14, 1992

Effective: January 28, 1993

Assistant Vice President, 4F08  
2000 W. Ameritech Center Drive  
Hoffman Estates, Illinois 60196-1025

ACCESS SERVICE

7. Special Access Service (Cont'd)

Dx

Dx

x State specific rates previously shown on this page now appear as aggregate rates on 9th Revised Page 410.2, 7th Revised Page 413.2 and 22nd Revised Page 415.1

(TR681)

Issued: December 14, 1992

Effective: January 28, 1993

Assistant Vice President, 4F08  
2000 W. Ameritech Center Drive  
Hoffman Estates, Illinois 60196-1025

ACCESS SERVICE

7. Special Access Service (Cont'd)

Dx

Dx

x State specific rates previously shown on this page now appear as aggregate rates on 17th Revised Page 410.1, th Revised Page 410.2 and 7th Revised Page 413.2

Issued: December 14, 1992  
(TR681)

Effective: January 28, 1993

Assistant Vice President, 4F08  
2000 W. Ameritech Center Drive  
Hoffman Estates, Illinois 60196-1025

ACCESS SERVICE

7. Special Access Service (Cont'd)

Dx

Dx

x State specific rates previously shown on this page now appear as aggregate rates on 11th Revised Page 416.

(TR681)

Issued: December 14, 1992

Effective: January 28, 1993

Assistant Vice President, 4F08  
2000 W. Ameritech Center Drive  
Hoffman Estates, Illinois 60196-1025

ACCESS SERVICE

7. Special Access Service (Cont'd)

Dx

Dx

x State specific rates previously shown on this page now appear as aggregate rates on 29th Revised Page 410.

(TR681)

Issued: December 14, 1992

Effective: January 28, 1993

Assistant Vice President, 4F08  
2000 W. Ameritech Center Drive  
Hoffman Estates, Illinois 60196-1025

ACCESS SERVICE

7. Special Access Service (Cont'd)

Dx

Dx

x State specific rates previously shown on this page now appear as aggregate rates on 12th Revised Page 411.

(TR681)

Issued: December 14, 1992

Effective: January 28, 1993

Assistant Vice President, 4F08  
2000 W. Ameritech Center Drive  
Hoffman Estates, Illinois 60196-1025



ACCESS SERVICE

7. Special Access Service (Cont'd)

Dx

Dx

x State specific rates previously shown on this page now appear as aggregate rates on 25th Revised Page 415.

(TR681)

Issued: December 14, 1992

Effective: January 28, 1993

Director, Federal Regulatory, 4F20  
2000 W. Ameritech Center Drive  
Hoffman Estates, Illinois 60196-1025

ACCESS SERVICE

7. Special Access Service (Cont'd)

Dx

Dx

x State specific rates previously shown on this page now appear as aggregate rates on 29th Revised Page 410, 12th Revised Page 411 and 22nd Revised Page 415.1

(TR681)

Issued: December 14, 1992

Effective: January 28, 1993

Assistant Vice President, 4F08  
2000 W. Ameritech Center Drive  
Hoffman Estates, Illinois 60196-1025

ACCESS SERVICE

7. Special Access Service (Cont'd)

Dx

Dx

x State specific rates previously shown on this page now appear as aggregate rates on 29th Revised Page 410, 17th Revised Page 410.1, 12th Revised Page 411 and 22nd Revised Page 415.1.

(TR681)

Issued: December 14, 1992

Effective: January 28, 1993

Assistant Vice President, 4F08  
2000 W. Ameritech Center Drive  
Hoffman Estates, Illinois 60196-1025

ACCESS SERVICE

7. Special Access Service (Cont'd)

Dx

Dx

x State specific rates previously shown on this page now appear as aggregate rates on 17th Revised Page 410.1 and 29th Revised Page 412

(TR681)

Issued: December 14, 1992

Effective: January 28, 1993

Assistant Vice President, 4F08  
2000 W. Ameritech Center Drive  
Hoffman Estates, Illinois 60196-1025

ACCESS SERVICE

7. Special Access Service (Cont'd)

Dx

Dx

x State specific rates previously shown on this page now appear as aggregate rates on 29th Revised Page 412.

(TR681)

Issued: December 14, 1992

Effective: January 28, 1993

Assistant Vice President, 4F08  
2000 W. Ameritech Center Drive  
Hoffman Estates, Illinois 60196-1025

ACCESS SERVICE

7. Special Access Service (Cont'd)

Dx

Dx

x State specific rates previously shown on this page now appear as aggregate rates on 21st Revised Page 413, 1st Revised Page 413.1 and 22nd Revised Page 415.1.

(TR681)

Issued: December 14, 1992

Effective: January 28, 1993

Assistant Vice President, 4F08  
2000 W. Ameritech Center Drive  
Hoffman Estates, Illinois 60196-1025

ACCESS SERVICE

7. Special Access Service (Cont'd)

Dx

Dx

x State specific rates previously shown on this page now appear as aggregate rates on 9th Revised Page 410.2, 7th Revised Page 413.2 and 22nd Revised Page 415.1.

(TR681)

Issued: December 14, 1992

Effective: January 28, 1993

Assistant Vice President, 4F08  
2000 W. Ameritech Center Drive  
Hoffman Estates, Illinois 60196-1025

ACCESS SERVICE

7. Special Access Service (Cont'd)

Dx

Dx

x State specific rates previously shown on this page now appear as aggregate rates on 17th Revised Page 410.1, 9th Revised Page 410.2 and 7th Revised Page 413.2.

(TR681)

Issued: December 14, 1992

Effective: January 28, 1993

Director, Federal Regulatory, 4F20  
2000 W. Ameritech Center Drive  
Hoffman Estates, Illinois 60196-1025



ACCESS SERVICE

7. Specialized Access Service (Cont'd)

Certain material previously on this page now appears on 11th Revised Page 416.

---

Issued: December 14, 1992

Effective: January 28, 1993

Director, Federal Regulatory Planning & Policy, 4G62  
2000 W. Ameritech Center Drive  
Hoffman Estates, Illinois 60196-1025

**ACCESS SERVICE**

**7. Specialized Access Service (Cont'd)**

Dx

Dx

(TR652)

---

**Issued: August 24, 1992**

**Effective: August 25, 1992**

---

**Director, Federal Regulatory Planning & Policy, 4G62  
2000 W. Ameritech Center Drive  
Hoffman Estates, Illinois 60196-1025**

ACCESS SERVICE

7. Specialized Access Service (Cont'd)

Dx

Dx

(TR652)

---

Issued: August 24, 1992

Effective: August 25, 1992

Director, Federal Regulatory Planning & Policy, 4G62  
2000 W. Ameritech Center Drive  
Hoffman Estates, Illinois 60196-1025

ACCESS SERVICE

7. Specialized Access Service (Cont'd)

7.5 Rates and Charges (Cont'd)

7.5.10 (Reserved for Future Use)

T

Certain material previously on this page now appears on Original Page 410.2,  
8th Revised Page 411, 25th Revised Page 412 and Original Page 413.2.

---

Issued: July 16, 1990

Effective: August 30, 1990

Director, Federal Regulatory Planning & Policy, 4G62  
2000 W. Ameritech Center Drive  
Hoffman Estates, Illinois 60196-1025

ACCESS SERVICE

7. Specialized Access Service (Cont'd)

7.5 Rates and Charges (Cont'd)

7.5.10 (Reserved for Future Use)

T

Certain material previously on this page now appears on Original Page 410.2,  
8th Revised Page 411, 25th Revised Page 412 and Original Page 413.2.

---

Issued: July 16, 1990

Effective: August 30, 1990

Director, Federal Regulatory Planning & Policy, 4G62  
2000 W. Ameritech Center Drive  
Hoffman Estates, Illinois 60196-1025

ACCESS SERVICE

7. Specialized Access Service (Cont'd)

7.5 Rates and Charges (Cont'd)

7.5.10 (Reserved for Future Use)

T

Certain material previously on this page now appears on 13th Revised Page 415.1,  
8th Revised Page 416, 18th Revised Page 417 and Original Page 418.1.1.

---

Issued: July 16, 1990

Effective: August 30, 1990

Director, Federal Regulatory Planning & Policy, 4G62  
2000 W. Ameritech Center Drive  
Hoffman Estates, Illinois 60196-1025

ACCESS SERVICE

7. Specialized Access Service (Cont'd)

7.5 Rates and Charges (Cont'd)

7.5.10 (Reserved for Future Use)

T

ACCESS SERVICE

7. Specialized Access Service (Cont'd)

7.5 Rates and Charges (Cont'd)

7.5.10 (Reserved for Future Use)

T

Certain material previously on this page now appears on 14th Revised Page 419.1,  
9th Revised Page 420, 21st Revised Page 421 and Original Page 422.1.1.

---

Issued: July 16, 1990

Effective: August 30, 1990

Director, Federal Regulatory Planning & Policy, 4G62  
2000 W. Ameritech Center Drive  
Hoffman Estates, Illinois 60196-1025



ACCESS SERVICE

7. Specialized Access Service (Cont'd)

7.5 Rates and Charges (Cont'd)

7.5.10 (Reserved for Future Use)

T

ACCESS SERVICE

7. Specialized Access Service (Cont'd)

7.5 Rates and Charges (Cont'd)

7.5.10 (Reserved for Future Use)

T

Certain material previously on this page now appears on 2nd Revised Page 423.1,  
19th Revised Page 424, 13th Revised Page 424 and Original Page 425.2.

---

Issued: July 16, 1990

Effective: August 30, 1990

Director, Federal Regulatory Planning & Policy, 4G62  
2000 W. Ameritech Center Drive  
Hoffman Estates, Illinois 60196-1025

ACCESS SERVICE

7. Specialized Access Service (Cont'd)

7.5 Rates and Charges (Cont'd)

7.5.10 (Reserved for Future Use)

T

ACCESS SERVICE

7. Specialized Access Service (Cont'd)

7.5 Rates and Charges (Cont'd)

7.5.10 (Reserved for Future Use)

T

Certain material previously on this page now appears on 9th Revised Page 428,  
19th Revised Page 429, 14th Revised Page 429.1 and Original Page 431.1.

---

Issued: July 16, 1990

Effective: August 30, 1990

Director, Federal Regulatory Planning & Policy, 4G62  
2000 W. Ameritech Center Drive  
Hoffman Estates, Illinois 60196-1025

ACCESS SERVICE

7. Specialized Access Service (Cont'd)

7.5 Rates and Charges (Cont'd)

7.5.10 (Reserved for Future Use)

T

ACCESS SERVICE

7. Special Access Service (Cont'd)

7.5 Rates and Charges (Cont'd)

7.5.13 Message Station Equipment Recovery Charge

	USOC	Monthly Rate	T
Message Station Equipment Recovery Charge			
- Per Special Access Surcharge Assessed	UTM	None	

**ACCESS SERVICE**

**7. Special Access Service (Cont'd)**

**7.5**

D  
D

ACCESS SERVICE

7. Special Access Service (Cont'd)

7.5 Rates and Charges (Cont'd)

7.5.14 Special Access Surcharge

T

	USOC	Monthly Rate
- Per surcharge accessed	S25	\$25.00

(TR949)

Issued: February 23, 1996

Effective: April 8, 1996

Director, Federal Regulatory Planning & Policy, 4G62  
2000 W. Ameritech Center Drive  
Hoffman Estates, Illinois 60196-1025



ACCESS SERVICE

7. Special Access Service (Cont'd)

7.5 Rates and Charges (Cont'd)

7.5.15 Installation and Rearrangement Charges

All States

	Administrative Charge, per order		Design and Central Office Connection Charge, per circuit	Customer Connection Charge, per termination	
	USOC	ORCMX	NRBCL	NRBBL	
Metallic Service		\$62.04	\$155.10	\$258.50	
Telegraph Service					
- Two-wire		62.04	155.10	258.50	
- Four-wire		62.04	155.10	258.50	
Direct Analog Service					
- Two-wire		50.00	140.00	185.00	
- Four-wire		50.00	140.00	185.00	
- Dedicated Access Line					
- Two-wire		50.00	150.00	200.00	
- Four-wire		50.00	150.00	200.00	
Program Audio Serv. Monthly					
- All bandwidths Daily		45.00(R)	180.00	225.00	
- All bandwidths		50.00	190.00	275.00	
Video Service Monthly, 12, 24, 36, 48 and 60 Month					
- TV1, TV2, Wideband Analog					
Video Service and Serial Component Video Service		50.00	440.00	140.00	(T)
- Digital Video Service		50.00	450.00	150.00	(T)
- Supertrunking Video Service		50.00	420.00	110.00	(T)
Multichannel Video Service		50.00	400.00	145.00	
Daily					
- TV1 and TV2		50.00	None**	None**	
- Digital Video Service 50.00		None**	None**		

\*\* Special Construction charges may apply, subject to regulations set forth in the special construction tariffs defined in Section 1 preceding.

ACCESS SERVICE

7. Special Access Service (Cont'd)

7.5 Rates and Charges (Cont'd)

7.5.15 Installation and Rearrangement Charges (Cont'd)

All States		Administrative Charge, per order		Design and Central Office Connection Charge, per circuit	Customer Connection Charge, per termination
	USOC	ORCMX		NRBCL	NRBBL
Wideband Analog Serv.*					
- All Bandwidths		\$50.00		ICB	ICB
Wideband Data Serv.*					
- All Bit Rates		50.00		ICB	ICB
Base Rate Service					
- All Speeds		50.00		150.00	200.00

(T)

\* Wideband Analog and Wideband Data Services are limited to circuits in place as of August 11, 1988.

ACCESS SERVICE

7. Special Access Service (Cont'd)

7.5 Rates and Charges (Cont'd)

7.5.15 Installation and Rearrangement Charges (Cont'd)

		Administrative Charge, per order	Design and Central Office Connection Charge, per circuit	Customer Connection Charge, per termination	(T)
DS1 Service					
- 1.544 Mbps					
Illinois					
Zone 1	USOC	NRBA1	NRMF1	NRMG1	
Monthly		50.00	300.00	450.00	
12 Month		50.00	100.00	225.00	
24 Month		50.00	0.00	0.00	
36 Month		50.00	0.00	0.00	
48 Month		50.00	0.00	0.00	
60 Month		50.00	0.00	0.00	
Zone 2	USOC	NRBA2	NRMF2	NRMG2	
Monthly		50.00	300.00	450.00	
12 Month		50.00	100.00	225.00	
24 Month		50.00	0.00	0.00	
36 Month		50.00	0.00	0.00	
48 Month		50.00	0.00	0.00	
60 Month		50.00	0.00	0.00	
Zone 3	USOC	NRBA3	NRMF3	NRMG3	
Monthly		50.00	300.00	450.00	
12 Month		50.00	100.00	225.00	
24 Month		50.00	0.00	0.00	
36 Month		50.00	0.00	0.00	
48 Month		50.00	0.00	0.00	
60 Month		50.00	0.00	0.00	
Zone 4	USOC	NRMA4	NRMF4	NRMG4	
Monthly		50.00	300.00	450.00	
12 Month		50.00	100.00	225.00	
24 Month		50.00	0.00	0.00	
36 Month		50.00	0.00	0.00	
48 Month		50.00	0.00	0.00	
60 Month		50.00	0.00	0.00	

This page filed under Transmittal No. 1357)

Issued: October 6, 2003

Effective: October 21, 2003

ACCESS SERVICE

7. Special Access Service (Cont'd)

7.5 Rates and Charges (Cont'd)

7.5.15 Installation and Rearrangement Charges (Cont'd)

		Administrative Charge, per order	Design and Central Office Connection Charge, per circuit	Customer Connection Charge, per termination	(T)
DS1 Service					
- 1.544 Mbps (Cont'd)					
Illinois					
Zone 5	USOC	NRMA5	NRMF5	NRMG5	
Monthly		50.00	300.00	450.00	
12 Month		50.00	100.00	225.00	
24 Month		50.00	0.00	0.00	
36 Month		50.00	0.00	0.00	
48 Month		50.00	0.00	0.00	
60 Month		50.00	0.00	0.00	
Indiana					
Zone 1	USOC	NRBA1	NRMF1	NRMG1	
Monthly		50.00	300.00	450.00	
12 Month		50.00	100.00	225.00	
24 Month		50.00	0.00	0.00	
36 Month		50.00	0.00	0.00	
48 Month		50.00	0.00	0.00	
60 Month		50.00	0.00	0.00	
Zone 2	USOC	NRBA2	NRMF2	NRMG2	
Monthly		50.00	300.00	450.00	
12 Month		50.00	100.00	225.00	
24 Month		50.00	0.00	0.00	
36 Month		50.00	0.00	0.00	
48 Month		50.00	0.00	0.00	
60 Month		50.00	0.00	0.00	
Zone 3	USOC	NRBA3	NRMF3	NRMG3	
Monthly		50.00	300.00	450.00	
12 Month		50.00	100.00	225.00	
24 Month		50.00	0.00	0.00	
36 Month		50.00	0.00	0.00	
48 Month		50.00	0.00	0.00	
60 Month		50.00	0.00	0.00	

ACCESS SERVICE

7. Special Access Service (Cont'd)

7.5 Rates and Charges (Cont'd)

7.5.15 Installation and Rearrangement Charges (Cont'd)

		Administrative Charge, per order	Design and Central Office Connection Charge, per circuit	Customer Connection Charge, per termination	(T)
DS1 Service					
- 1.544 Mbps (Cont'd)					
Indiana					
Zone 4	USOC	NRMA4	NRMF4	NRMG4	
Monthly		50.00	300.00	450.00	
12 Month		50.00	100.00	225.00	
24 Month		50.00	0.00	0.00	
36 Month		50.00	0.00	0.00	
48 Month		50.00	0.00	0.00	
60 Month		50.00	0.00	0.00	
Zone 5	USOC	NRMA5	NRMF5	NRMG5	
Monthly		50.00	300.00	450.00	
12 Month		50.00	100.00	225.00	
24 Month		50.00	0.00	0.00	
36 Month		50.00	0.00	0.00	
48 Month		50.00	0.00	0.00	
60 Month		50.00	0.00	0.00	
Michigan					
Zone 1	USOC	NRBA1	NRMF1	NRMG1	
Monthly		50.00	300.00	450.00	
12 Month		50.00	100.00	225.00	
24 Month		50.00	0.00	0.00	
36 Month		50.00	0.00	0.00	
48 Month		50.00	0.00	0.00	
60 Month		50.00	0.00	0.00	
Zone 2	USOC	NRBA2	NRMF2	NRMG2	
Monthly		50.00	300.00	450.00	
12 Month		50.00	100.00	225.00	
24 Month		50.00	0.00	0.00	
36 Month		50.00	0.00	0.00	
48 Month		50.00	0.00	0.00	
60 Month		50.00	0.00	0.00	

ACCESS SERVICE

f7. Special Access Service (Cont'd)

7.5 Rates and Charges (Cont'd)

7.5.15 Installation and Rearrangement Charges (Cont'd)

		Administrative Charge, per order	Design and Central Office Connection Charge, per circuit	Customer Connection Charge, per termination	(T)
DS1 Service					
- 1.544 Mbps (Cont'd)					
Michigan					
Zone 3	USOC	NRBA3	NRMF3	NRMG3	
Monthly		50.00	300.00	450.00	
12 Month		50.00	100.00	225.00	
24 Month		50.00	0.00	0.00	
36 Month		50.00	0.00	0.00	
48 Month		50.00	0.00	0.00	
60 Month		50.00	0.00	0.00	
Zone 4	USOC	NRMA4	NRMF4	NRMG4	
Monthly		50.00	300.00	450.00	
12 Month		50.00	100.00	225.00	
24 Month		50.00	0.00	0.00	
36 Month		50.00	0.00	0.00	
48 Month		50.00	0.00	0.00	
60 Month		50.00	0.00	0.00	
Zone 5	USOC	NRMA5	NRMF5	NRMG5	
Monthly		50.00	300.00	450.00	
12 Month		50.00	100.00	225.00	
24 Month		50.00	0.00	0.00	
36 Month		50.00	0.00	0.00	
48 Month		50.00	0.00	0.00	
60 Month		50.00	0.00	0.00	
Ohio					
Zone 1	USOC	NRBA1	NRMF1	NRMG1	
Monthly		50.00	300.00	450.00	
12 Month		50.00	100.00	225.00	
24 Month		50.00	0.00	0.00	
36 Month		50.00	0.00	0.00	
48 Month		50.00	0.00	0.00	
60 Month		50.00	0.00	0.00	

ACCESS SERVICE

7. Special Access Service (Cont'd)

7.5 Rates and Charges (Cont'd)

7.5.15 Installation and Rearrangement Charges (Cont'd)

		Administrative Charge, per order	Design and Central Office Connection Charge, per circuit	Customer Connection Charge, per termination	(T)
DS1 Service					
- 1.544 Mbps (Cont'd)					
Ohio					
Zone 2	USOC	NRBA2	NRMF2	NRMG2	
Monthly		50.00	300.00	450.00	
12 Month		50.00	100.00	225.00	
24 Month		50.00	0.00	0.00	
36 Month		50.00	0.00	0.00	
48 Month		50.00	0.00	0.00	
60 Month		50.00	0.00	0.00	
Zone 3	USOC	NRBA3	NRMF3	NRMG3	
Monthly		50.00	300.00	450.00	
12 Month		50.00	100.00	225.00	
24 Month		50.00	0.00	0.00	
36 Month		50.00	0.00	0.00	
48 Month		50.00	0.00	0.00	
60 Month		50.00	0.00	0.00	
Zone 4	USOC	NRMA4	NRMF4	NRMG4	
Monthly		50.00	300.00	450.00	
12 Month		50.00	100.00	225.00	
24 Month		50.00	0.00	0.00	
36 Month		50.00	0.00	0.00	
48 Month		50.00	0.00	0.00	
60 Month		50.00	0.00	0.00	
Zone 5	USOC	NRMA5	NRMF5	NRMG5	
Monthly		50.00	300.00	450.00	
12 Month		50.00	100.00	225.00	
24 Month		50.00	0.00	0.00	
36 Month		50.00	0.00	0.00	
48 Month		50.00	0.00	0.00	
60 Month		50.00	0.00	0.00	

ACCESS SERVICE

7. Special Access Service (Cont'd)

7.5 Rates and Charges (Cont'd)

7.5.15 Installation and Rearrangement Charges (Cont'd)

		Administrative Charge, per order	Design and Central Office Connection Charge, per circuit	Customer Connection Charge, per termination
DS1 Service				
- 1.544 Mbps (Cont'd)				
Wisconsin				
Zone 1	USOC	NRBA1	NRMF1	NRMG1
Monthly		50.00	300.00	450.00
12 Month		50.00	100.00	225.00
24 Month		50.00	0.00	0.00
36 Month		50.00	0.00	0.00
48 Month		50.00	0.00	0.00
60 Month		50.00	0.00	0.00
Zone 2	USOC	NRBA2	NRMF2	NRMG2
Monthly		50.00	300.00	450.00
12 Month		50.00	100.00	225.00
24 Month		50.00	0.00	0.00
36 Month		50.00	0.00	0.00
48 Month		50.00	0.00	0.00
60 Month		50.00	0.00	0.00
Zone 3	USOC	NRBA3	NRMF3	NRMG3
Monthly		50.00	300.00	450.00
12 Month		50.00	100.00	225.00
24 Month		50.00	0.00	0.00
36 Month		50.00	0.00	0.00
48 Month		50.00	0.00	0.00
60 Month		50.00	0.00	0.00
Zone 4	USOC	NRMA4	NRMF4	NRMG4
Monthly		50.00	300.00	450.00
12 Month		50.00	100.00	225.00
24 Month		50.00	0.00	0.00
36 Month		50.00	0.00	0.00
48 Month		50.00	0.00	0.00
60 Month		50.00	0.00	0.00

(T)



ACCESS SERVICE

7. Special Access Service (Cont'd)

7.5 Rates and Charges (Cont'd)

7.5.15 Installation and Rearrangement Charges (Cont'd)

		Administrative Charge, per order	Design and Central Office Connection Charge, per circuit	Customer Connection Charge, per termination	
DS1 Service					(T)
- 1.544 Mbps (Cont'd)					
Wisconsin					
Zone 5	USOC	NRMA5	NRMF5	NRMG5	
Monthly		50.00	300.00	450.00	
12 Month		50.00	100.00	225.00	
24 Month		50.00	0.00	0.00	
36 Month		50.00	0.00	0.00	
48 Month		50.00	0.00	0.00	
60 Month		50.00	0.00	0.00	
DS3 Service					(T)
- 44.736 Mbps					
Illinois					
Zone 1	USOC	NRBA1	NRMF1	NRMG1	
12 Month		75.00	428.00	750.00	
24 Month		75.00	257.00	450.00	
36 Month		75.00	0.00	0.00	
48 Month		75.00	0.00	0.00	
60 Month		0.00	0.00	0.00	
Zone 2	USOC	NRBA2	NRMF2	NRMG1	
12 Month		75.00	450.00	790.00	
24 Month		75.00	270.00	473.00	
36 Month		75.00	0.00	0.00	
48 Month		75.00	0.00	0.00	
60 Month		0.00	0.00	0.00	

( This page filed under Transmittal No. 1357)

ACCESS SERVICE

7. Special Access Service (Cont'd)

7.5 Rates and Charges (Cont'd)

7.5.15 Installation and Rearrangement Charges (Cont'd)

		Administrative Charge, per order	Design and Central Office Connection Charge, per circuit	Customer Connection Charge, per termination	(T)
DS3 Service					
- 44.736 Mbps (Cont'd)					
Illinois					
Zone 3	USOC	NRBA3	NRMF3	NRMG3	
12 Month		75.00	473.00	825.00	
24 Month		75.00	284.00	565.00	
36 Month		75.00	0.00	0.00	
48 Month		75.00	0.00	0.00	
60 Month		0.00	0.00	0.00	
Zone 4	USOC	NRMA4	NRMF4	NRMG4	
12 Month		75.00	486.00	860.00	
24 Month		75.00	292.00	775.00	
36 Month		75.00	0.00	0.00	
48 Month		75.00	0.00	0.00	
60 Month		0.00	0.00	0.00	
Zone 5	USOC	NRMA5	NRMF5	NRMG5	
12 Month		75.00	505.00	900.00	
24 Month		75.00	302.00	810.00	
36 Month		75.00	0.00	0.00	
48 Month		75.00	0.00	0.00	
60 Month		0.00	0.00	0.00	
Indiana					
Zone 1	USOC	NRBA1	NRMF1	NRMG1	
12 Month		75.00	428.00	750.00	
24 Month		75.00	257.00	450.00	
36 Month		75.00	0.00	0.00	
48 Month		75.00	0.00	0.00	
60 Month		0.00	0.00	0.00	

ACCESS SERVICE

7. Special Access Service (Cont'd)

7.5 Rates and Charges (Cont'd)

7.5.15 Installation and Rearrangement Charges (Cont'd)

		Administrative Charge, per order	Design and Central Office Connection Charge, per circuit	Customer Connection Charge, per termination	(T)
DS3 Service					
- 44.736 Mbps (Cont'd)					
Indiana					
Zone 2	USOC	NRBA2	NRMF2	NRMG2	
12 Month		75.00	450.00	790.00	
24 Month		75.00	270.00	473.00	
36 Month		75.00	0.00	0.00	
48 Month		75.00	0.00	0.00	
60 Month		0.00	0.00	0.00	
Zone 3	USOC	NRBA3	NRMF3	NRMG3	
12 Month		75.00	473.00	825.00	
24 Month		75.00	284.00	565.00	
36 Month		75.00	0.00	0.00	
48 Month		75.00	0.00	0.00	
60 Month		0.00	0.00	0.00	
Zone 4	USOC	NRMA4	NRMF4	NRMG4	
12 Month		75.00	486.00	860.00	
24 Month		75.00	292.00	775.00	
36 Month		75.00	0.00	0.00	
48 Month		75.00	0.00	0.00	
60 Month		0.00	0.00	0.00	
Zone 5	USOC	NRMA5	NRMF5	NRMG5	
12 Month		75.00	505.00	900.00	
24 Month		75.00	302.00	810.00	
36 Month		75.00	0.00	0.00	
48 Month		75.00	0.00	0.00	
60 Month		0.00	0.00	0.00	

This page filed under Transmittal No. 1357)

Issued: October 6, 2003

Effective: October 21, 2003

ACCESS SERVICE

7. Special Access Service (Cont'd)

7.5 Rates and Charges (Cont'd)

7.5.15 Installation and Rearrangement Charges (Cont'd)

		Administrative Charge, per order	Design and Central Office Connection Charge, per circuit	Customer Connection Charge, per termination	
DS3 Service					(T)
- 44.736 Mbps (Cont'd)					
Michigan					
Zone 1	USOC	NRBA1	NRMF1	NRMG1	
12 Month		75.00	428.00	750.00	
24 Month		75.00	257.00	450.00	
36 Month		75.00	0.00	0.00	
48 Month		75.00	0.00	0.00	
60 Month		0.00	0.00	0.00	
Zone 2	USOC	NRBA2	NRMF2	NRMG2	
12 Month		75.00	450.00	790.00	
24 Month		75.00	270.00	473.00	
36 Month		75.00	0.00	0.00	
48 Month		75.00	0.00	0.00	
60 Month		0.00	0.00	0.00	
Zone 3	USOC	NRBA3	NRMF3	NRMG3	
12 Month		75.00	473.00	825.00	
24 Month		75.00	284.00	565.00	
36 Month		75.00	0.00	0.00	
48 Month		75.00	0.00	0.00	
60 Month		0.00	0.00	0.00	
Zone 4	USOC	NRMA4	NRMF4	NRMG4	
12 Month		75.00	486.00	860.00	
24 Month		75.00	292.00	775.00	
36 Month		75.00	0.00	0.00	
48 Month		75.00	0.00	0.00	
60 Month		0.00	0.00	0.00	

This page filed under Transmittal No. 1357)

Issued: October 6, 2003

Effective: October 21, 2003

## ACCESS SERVICE

## 7. Special Access Service (Cont'd)

## 7.5 Rates and Charges (Cont'd)

## 7.5.15 Installation and Rearrangement Charges (Cont'd)

		Administrative Charge, per order	Design and Central Office Connection Charge, per circuit	Customer Connection Charge, per termination
Ameritech DS3 Service - 44.736 Mbps (Cont'd)				
Michigan				
Zone 5	USOC	NRMA5	NRMF5	NRMG5
12 Month		75.00	505.00	900.00
24 Month		75.00	302.00	810.00
36 Month		75.00	0.00(R)	0.00(R)
48 Month		75.00	0.00(R)	0.00(R)
60 Month		0.00	0.00	0.00(R)
Ohio				
Zone 1	USOC	NRBA1	NRMF1	NRMG1
12 Month		75.00	428.00	750.00
24 Month		75.00	257.00	450.00
36 Month		75.00	0.00(R)	0.00(R)
48 Month		75.00	0.00(R)	0.00(R)
60 Month		0.00	0.00	0.00
Zone 2	USOC	NRBA2	NRMF2	NRMG2
12 Month		75.00	450.00	790.00
24 Month		75.00	270.00	473.00
36 Month		75.00	0.00(R)	0.00(R)
48 Month		75.00	0.00(R)	0.00(R)
60 Month		0.00	0.00	0.00
Zone 3	USOC	NRBA3	NRMF3	NRMG3
12 Month		75.00	473.00	825.00
24 Month		75.00	284.00	565.00
36 Month		75.00	0.00(R)	0.00(R)
48 Month		75.00	0.00(R)	0.00(R)
60 Month		0.00	0.00	0.00

Rates contained in this transmittal are subject to subsequent adjustment, effective retrospectively, in the event the Commission or a court subsequently authorizes Ameritech to correct its rates pursuant to pending motions, or petitions for reconsideration or waiver, or in the event of any other adjustment to an order of the Commission or a court.

(This page filed under Transmittal No. 1347)

## ACCESS SERVICE

## 7. Special Access Service (Cont'd)

## 7.5 Rates and Charges (Cont'd)

## 7.5.15 Installation and Rearrangement Charges (Cont'd)

		Administrative Charge, per order	Design and Central Office Connection Charge, per circuit	Customer Connection Charge, per termination
Ameritech DS3 Service				
- 44.736 Mbps (Cont'd)				
Ohio				
Zone 4	USOC	NRMA4	NRMF4	NRMG4
12 Month		75.00	486.00	860.00
24 Month		75.00	292.00	775.00
36 Month		75.00	0.00(R)	0.00(R)
48 Month		75.00	0.00(R)	0.00(R)
60 Month		0.00	0.00	0.00(R)
Zone 5	USOC	NRMA5	NRMF5	NRMG5
12 Month		75.00	505.00	900.00
24 Month		75.00	302.00	810.00
36 Month		75.00	0.00(R)	0.00(R)
48 Month		75.00	0.00(R)	0.00(R)
60 Month		0.00	0.00	0.00(R)
Wisconsin				
Zone 1	USOC	NRBA1	NRMF1	NRMG1
12 Month		75.00	428.00	750.00
24 Month		75.00	257.00	450.00
36 Month		75.00	0.00(R)	0.00(R)
48 Month		75.00	0.00(R)	0.00(R)
60 Month		0.00	0.00	0.00
Zone 2	USOC	NRBA2	NRMF2	NRMG2
12 Month		75.00	450.00	790.00
24 Month		75.00	270.00	473.00
36 Month		75.00	0.00(R)	0.00(R)
48 Month		75.00	0.00(R)	0.00(R)
60 Month		0.00	0.00	0.00

Rates contained in this transmittal are subject to subsequent adjustment, effective retrospectively, in the event the Commission or a court subsequently authorizes Ameritech to correct its rates pursuant to pending motions, or petitions for reconsideration or waiver, or in the event of any other adjustment to an order of the Commission or a court.

(This page filed under Transmittal No. 1347)

ACCESS SERVICE

7. Special Access Service (Cont'd)

7.5 Rates and Charges (Cont'd)

7.5.15 Installation and Rearrangement Charges (Cont'd)

		Administrative Charge, per order	Design and Central Office Connection Charge, per circuit	Customer Connection Charge, per termination	
DS3 Service					(T)
- 44.736 Mbps (Cont'd)					
Wisconsin					
Zone 3	USOC	NRBA3	NRMF3	NRMG3	
12 Month		75.00	473.00	825.00	
24 Month		75.00	284.00	565.00	
36 Month		75.00	0.00	0.00	
48 Month		75.00	0.00	0.00	
60 Month		0.00	0.00	0.00	
Zone 4	USOC	NRMA4	NRMF4	NRMG4	
12 Month		75.00	486.00	860.00	
24 Month		75.00	292.00	775.00	
36 Month		75.00	0.00	0.00	
48 Month		75.00	0.00	0.00	
60 Month		0.00	0.00	0.00	
Zone 5	USOC	NRMA5	NRMF5	NRMG5	
12 Month		75.00	505.00	900.00	
24 Month		75.00	302.00	810.00	
36 Month		75.00	0.00	0.00	
48 Month		75.00	0.00	0.00	
60 Month		0.00	0.00	0.00	

7. Special Access Service (Cont'd)

7.5 Rates and Charges (Cont'd)

7.5.15 Installation and Rearrangement Charges (Cont'd)

	Administrative Charge per order	Design and Central Office Connection Charge per circuit	Customer Connection per termination
USOC	ORCMX	NRBCL	NRBBL
OC-3 Service - 155.52 Mbps	60.00	375.00	450.00
OC-12 Service - 622.08 Mbps	60.00	375.00	450.00
OC-48 Service - 2488.32 Mbps	60.00	500.00	600.00
OC-192/OC-192c Service - 9953.28 Mbps	60.00	2,250.00	600.00
Ethernet 100 Base	60.00		(N)
Ethernet 1000 Base	60.00		(N)
OC-3 Dedicated Ring	60.00	600.00 <sup>(1)</sup>	N/A
OC-12 Dedicated Ring	60.00	600.00 <sup>(1)</sup>	N/A
OC-48 Dedicated Ring	60.00	600.00 <sup>(1)</sup>	N/A
OC-192 Dedicated Ring	60.00	2,250.00 <sup>(1)</sup>	N/A
SONET Xpress	60.00	None	None
STS-1 Service	60.00		
Hub Rearrangement Record Charge			
- Per DS3 to DS1 Multiplexer Rearranged		USOC	Nonrecurring Charge
Illinois			
Zone 1		NRBE1	650.00
Zone 2		NRBE2	650.00
Zone 3		NRBE3	650.00
Zone 4		NRME4	650.00
Zone 5		NRME5	650.00

(1) Per circuit charge for Dedicated Ring Service is applied once per original ring installed.

(This page filed under Transmittal No. 1651)



ACCESS SERVICE

7. Special Access Service (Cont'd)

7.5 Rates and Charges (Cont'd)

7.5.15 Installation and Rearrangement Charges (Cont'd)

Hub Rearrangement - Record Charge (Cont'd)

- Per DS3 to DS1 Multiplexer Rearranged (Cont'd) (T)

	USOC	Nonrecurring Charge
Indiana		
Zone 1	NRBE1	650.00
Zone 2	NRBE2	650.00
Zone 3	NRBE3	650.00
Zone 4	NRME4	650.00
Zone 5	NRME5	650.00
Michigan		
Zone 1	NRBE1	650.00
Zone 2	NRBE2	650.00
Zone 3	NRBE3	650.00
Zone 4	NRME4	650.00
Zone 5	NRME5	650.00
Ohio		
Zone 1	NRBE1	650.00
Zone 2	NRBE2	650.00
Zone 3	NRBE3	650.00
Zone 4	NRME4	650.00
Zone 5	NRME5	650.00
Wisconsin		
Zone 1	NRBE1	650.00
Zone 2	NRBE2	650.00
Zone 3	NRBE3	650.00
Zone 4	NRME4	650.00
Zone 5	NRME5	650.00

The previous heading of "All States" has now been expanded to include each state served by the Ameritech Operating Companies.

ACCESS SERVICE

7. Special Access Service (Cont'd)

7.5 Rates and Charges (Cont'd)

7.5.15 Installation and Rearrangement Charges (Cont'd)

Hub Rearrangement - Record Charge (Cont'd)

- Per DS1 to Voice/Base Rate  
 Multiplexer Rearranged

(T)

	USOC	Nonrecurring Charge
Illinois		
Zone 1	NRBE1	500.00
Zone 2	NRBE2	500.00
Zone 3	NRBE3	500.00
Zone 4	NRME4	500.00
Zone 5	NRME5	500.00
Indiana		
Zone 1	NRBE1	500.00
Zone 2	NRBE2	500.00
Zone 3	NRBE3	500.00
Zone 4	NRME4	500.00
Zone 5	NRME5	500.00
Michigan		
Zone 1	NRBE1	500.00
Zone 2	NRBE2	500.00
Zone 3	NRBE3	500.00
Zone 4	NRME4	500.00
Zone 5	NRME5	500.00
Ohio		
Zone 1	NRBE1	500.00
Zone 2	NRBE2	500.00
Zone 3	NRBE3	500.00
Zone 4	NRME4	500.00
Zone 5	NRME5	500.00
Wisconsin		
Zone 1	NRBE1	500.00
Zone 2	NRBE2	500.00
Zone 3	NRBE3	500.00
Zone 4	NRME4	500.00
Zone 5	NRME5	500.00

Certain material appearing on this page previously appeared on 7th Revised Page 445.2.1.  
 The previous heading of "All States" has now been expanded to include each state served by the Ameritech Operating Companies.

This page filed under Transmittal No. 1357)

Issued: October 6, 2003

Effective: October 21, 2003

## ACCESS SERVICE

## 7. Special Access Service (cont'd)

## 7.5 Rates and Charges (cont'd)

## 7.5.15 Installation and Rearrangement Charges (cont'd)

## Re-Map Service

## All States

## Initial Service Script Establishment/Test Charge

Per OC-3 Ring	NRMR1	2,000.00	
Per OC-12 Ring	NRMR1	3,500.00	
Per OC-12 DDN Ring	NRMR2	2,000.00	
Per OC-48 Ring	NRMR1	4,500.00	
Per OC-192 Ring	NRMR1	5,500.00	(N)

## Subsequent Script Activity Charge

Per OC-3 Ring	NRMR3	1,200.00	
Per OC-12 Ring	NRMR3	2,100.00	
Per OC-12 DDN Ring	NRMR4	1,200.00	
Per OC-48 Ring	NRMR3	2,700.00	
Per OC-192 Ring	NRMR3	3,200.00	(N)

## Scheduled Test Charge

Per OC-3 Ring	NRMR5	1,600.00	
Per OC-12 Ring	NRMR5	2,800.00	
Per OC-12 DDN Ring	NRMR6	1,600.00	
Per OC-48 Ring	NRMR5	3,600.00	
Per OC-192 Ring	NRMR5	4,200.00	(N)

Emergency Re-Map Activation  
-per request

Per OC-3 Ring	NRMR7	1,800.00	
Per OC-12 Ring	NRMR7	3,150.00	
Per OC-12 DDN Ring	NRMR8	1,800.00	
Per OC-48 Ring	NRMR7	4,050.00	
Per OC-192 Ring	NRMR7	5,000.00	(N)

(This page filed under Transmittal No. 1555)

ACCESS SERVICE

7. Special Access Service (Cont'd)

7.5 Rates and Charges (Cont'd)

7.5.15 Installation and Rearrangement Charges (Cont'd)

	Administrative Charge per order	Design and Central Office Connection Charge, per circuit	Customer Connection Charge per termination	
USOC	ORCMX	NRBCL	NRBBL	
GigaMAN <sup>®</sup> All States				
12 Month	60.00	230.00	\$1,500.00	
36 Month	60.00 <sup>(1)</sup>	230.00 <sup>(1)</sup>	1,500.00 <sup>(1)</sup>	(C)
60 Month	60.00 <sup>(1)</sup>	230.00 <sup>(1)</sup>	1,500.00 <sup>(1)</sup>	(C)
Renewal GigaMAN <sup>®</sup> Service 1, 3, & 5 Year TPP	60.00	N/A	N/A	

(1) The Administrative, Design Central Office Connection and Customer Connection non-recurring charges will be waived for 36 and 60-month terms for new service. (N)  
 (N)

(This page filed under Transmittal No. 1639)

ACCESS SERVICE

7. Special Access Service (Cont'd)

7.5 Rates and Charges (Cont'd)

7.5.16 Optional Payment Plan Vintage Rates

A. General Regulations

Optional Payment Plan (OPP) vintage rates are those rates that apply to existing services provided under an OPP term in the event the Telephone Company initiates a rate increase. Vintage rates as set forth following are classified as vintage because the Telephone Company ensures that rates provided under an OPP term will not be increased by the Telephone Company above the OPP rate in effect at the beginning of the customer's OPP term. Each Telephone Company Wire Center has been assigned to a rate zone. To determine the rate zone wire center assignments use the following:

- For OPP terms in effect prior to November 18, 2000, wire center rate zone assignments can be found in Section 7.7 following,
- For OPP terms in effect on or after November 18, 2000, wire center rate zone assignments can be found in the National Exchange Carrier Association, Inc. (NECA) F.C.C. Tariff No. 4.

Customers under their current OPP term will continue to pay the rates as shown in Section 7.5.16(B) until such time as:

- the effective tariff rate in Section 7.5.9 becomes lower than the vintage rate,
- the assignment of a new rate zone involves a lower rate,
- the customer's existing OPP term expires, or
- the service is terminated by the customer.

In addition, other customer modifications, other than termination, that cause a new rate or OPP term to be established will result in the service becoming non-vintage and the rates as specified in Section 7.5.5 through 7.5.12 will apply.

B. Vintage Rates

1. The following rates apply to DS1 services installed prior to April 23, 1997 in Illinois, Michigan, Ohio and Wisconsin and prior to June 6, 1997 in Indiana unless rates as specified under 7.5.9(B) are lower, in which case the referenced rates apply.

		Recurring Charges	
		Optional Payment Plan	
Local Distribution Channel		24 Month	48 Month
- Per Point of Termination			
All States	Zone 1	\$134.87	\$118.38
	Zone 2	139.37	122.33
	Zone 3	149.85	131.54

(This page filed under Transmittal No. 1252)

(C)  
(C)  
(N)  
(N)  
(C)  
(C)  
(C)

ACCESS SERVICE

- 7. Special Access Service (Cont'd)
- 7.5 Rates and Charges (Cont'd)
- 7.5.16 Optional Payment Plan Vintage Rates
- B. Vintage Rates (Cont'd)

- 1. The following rates apply to DS1 services installed prior to April 23, 1997 in Illinois, Michigan, Ohio and Wisconsin and prior to June 6, 1997 in Indiana unless rates as specified under 7.5.9(B) are lower, in which case the referenced rates apply.

	Recurring Charges	
	Optional Payment Plan	
	24 Month	48 Month
Channel Mileage		
Termination		
- Per Point of Termination		
Illinois		
Zone 1	\$ 45.63	\$ 30.88
Zone 2	45.63	30.88
Zone 3	51.03	45.30
All Other States		
Zone 1	45.63	30.88
Zone 2	45.63	30.88
Zone 3	57.04	51.48
Channel Mileage		
- Per Mile		
All States		
Zone 1	18.06	14.95
Zone 2	18.06	14.95
Zone 3	18.06	14.95
Multiplexing		
DS1 to		
Voice/Base		
Rate/128.0, 256.0,		
384.0, 512.0, 768.0 Kbps		
Transport		
(N)		
All States		
Zone 1	280.60	253.15
Zone 2	280.60	253.15
Zone 3	280.60	253.15

(This page filed under Transmittal No. 1390)

Issued: April 21, 2004

Effective: April 22, 2004

ACCESS SERVICE

7. Special Access Service (Cont'd)

7.5 Rates and Charges (Cont'd)

7.5.16 Optional Payment Plan Vintage Rates (Cont'd)

B. Vintage Rates (Cont'd)

2. The following rates apply to Base Rate services installed prior to July 1, 1999, unless rates as specified under 7.5.9(A) are lower, in which case the referenced rates apply. (T)

	Recurring Charges Optional Payment Plan	
	24 Mo.	48 Mo.
Local Distribution Channel - Per Point of Termination All States	\$76.36	\$68.47
Channel Mileage Termination - Per Point of Termination All States	12.20	11.18
Channel Mileage - Per Mile All States	.98	.93
Central Office Bridging - Per Port All States	22.58	20.12

This page filed under Transmittal No. 1357)

Issued: October 6, 2003

Effective: October 21, 2003

ACCESS SERVICE

7. Special Access Service (Cont'd)

7.5 Rates and Charges (Cont'd)

7.5.16 Optional Payment Plan Vintage Rates (Cont'd)

B. Vintage Rates (Cont'd)

2. The following rates apply to DS1 services installed prior to July 1, 1999, unless rates as specified under 7.5.9(B) are lower, in which case the referenced rates apply.

	Recurring Charges Optional Payment Plan	
	24 Mo	48 Mo
Local Distribution Channel		
- Per Point of Termination		
All States		
Zone 1	\$158.00	\$122.00
Zone 2	164.00	126.00
Zone 3	176.00	136.00
Channel Mileage Termination		
- Per Point of Termination		
Illinois		
Zone 1	61.00	34.00
Zone 2	61.00	34.00
Zone 3	61.00	47.00
All Other States		
Zone 1	65.00	37.00
Zone 2	65.00	37.00
Zone 3	65.00	51.00
Channel Mileage		
- Per Mile		
All States		
Zone 1	22.00	15.00
Zone 2	22.00	15.00
Zone 3	22.00	15.00
Multiplexing		
DS1 to Voice/		
Base Rate 128.0, 256.0,		
384.0, 512.0, 768.0 Kbps Transport		
All States		
Zone 1	322.00	249.00
Zone 2	322.00	249.00
Zone 3	322.00	249.00

(N)

(This page filed under Transmittal No. 1390)

Issued: April 21, 2004

Effective: April 22, 2004



ACCESS SERVICE

7. Special Access Service (Cont'd)

7.5 Rates and Charges (Cont'd)

7.5.16 Optional Payment Plan Vintage Rates (Cont'd)

B. Vintage Rates (Cont'd)

3. The following rates apply to DS3 services installed prior to July 1, 1999, unless rates as specified under 7.5.9(C) are lower, in which case the referenced rates apply.

		Recurring Charges Optional Payment Plan					
		12 Mo.	24 Mo.	36 Mo.	48 Mo.	60 Mo.	
Local Distribution Channel - Per Point of Termination DS3 Optical Service Package							
All States							
Zone 1	DS3012	\$12,600.00	\$ 7,885.00	\$ 4,900.00	\$ 4,000.00	\$ 3,000.00	
	DS3024	18,900.00	12,450.00	7,000.00	5,400.00	4,000.00	
Zone 2	DS3012	12,600.00	7,885.00	4,900.00	4,000.00	3,000.00	
	DS3024	18,900.00	12,450.00	7,000.00	5,400.00	4,000.00	
Zone 3	DS3012	12,600.00	7,885.00	4,900.00	4,000.00	3,000.00	
	DS3024	18,900.00	12,450.00	7,000.00	5,400.00	4,000.00	

(TR1206)

Issued: June 16, 1999

Effective: July 1, 1999

Director, Federal Regulatory Planning & Policy, 4G47  
 2000 W. Ameritech Center Drive  
 Hoffman Estates, Illinois 60196-1025

ACCESS SERVICE

7. Special Access Service (Cont'd)

7.5 Rates and Charges (Cont'd)

7.5.16 Optional Payment Plan Vintage Rates (Cont'd)

B. Vintage Rates (Cont'd)

D

D

(TR1206)

Issued: June 16, 1999

Effective: July 1, 1999

Director, Federal Regulatory Planning & Policy, 4G47  
2000 W. Ameritech Center Drive  
Hoffman Estates, Illinois 60196-1025

ACCESS SERVICE

7. Special Access Service (Cont'd)

7.5 Rates and Charges (Cont'd)

7.5.16 Optional Payment Plan Vintage Rates (Cont'd)

(B) Vintage Rates (Cont'd)

4. The following rates apply to Multichannel Video Services installed or ordered prior to July 9, 1998, unless rate specified under 7.5.5(D)(1)(a)+(c)/(b)+(c) and 7.5.5(D)(4)(a) are lower, in which case the referenced rates apply. (T)

		Recurring Charges Optional Payment Plan				
		USOC 60 Mo.	12 Mo.	24 Mo.	36 Mo.	48 Mo.
(1) Local Distribution Channel						
(a) MVS Hub Transport System						
- Per Point of Termination						
- All States						
(1) First 44 Channels	T7TUN		\$ 578.00	\$ 571.00	\$ 562.00	\$ 555.00
(1) Additional 4 Channels	T7TUP		342.00	337.00	333.00	328.00
(b) MVS Customer Premises Transport System						
- Per Point of Termination						
- All States	T7TUX		2,135.00	2,105.00	2,080.00	2,050.00
(c) MVS Regenerator						
- Per Each Regenerator						
- All States	V8R		659.00	650.00	642.00	633.00

This page filed under Transmittal No. 1357)

Issued: October 6, 2003

Effective: October 21, 2003

ACCESS SERVICE

7. Special Access Service (Cont'd)

7.5 Rates and Charges (Cont'd)

7.5.16 Optional Payment Plan Vintage Rates (Cont'd)

B. Vintage Rates (Cont'd)

5. The following rates apply to Base Rate services installed after June 9, 1998, but prior to February 26, 1999, unless rates as specified under 7.5.9(A) are lower, in which case the referenced rates apply.

(T)

	Recurring Charges Optional Payment Plan 12 Month
Local Distribution Channel - Per Point of Termination All States	\$88.00
Channel Mileage Termination - Per Point of Termination All States	13.25
Channel Mileage - Per Mile All States	1.08
Central Office Bridging - Per Port All States	23.55

This page filed under Transmittal No. 1357)

Issued: October 6, 2003

Effective: October 21, 2003

ACCESS SERVICE

7. Special Access Service (Cont'd)

7.5 Rates and Charges (Cont'd)

7.5.16 Optional Payment Plan Vintage Rates (Cont'd)

B. Vintage Rates (Cont'd)

6. The following rates apply to DS1 services installed after June 9, 1998, but prior to February 26, 1999, unless rates as specified under 7.5.9(B) are lower, in which case the referenced rates apply.

	Recurring Charges Optional Payment Plan 12 Month
Local Distribution Channel - Per Point of Termination	
All States Zone 3	\$224.00

Multiplexing

- DS1 to Voice/Base  
 Rate 128.0, 256.0,  
 384.0, 512.0, 768.0 Kbps  
 Transport

All States Zone 3	370.00
----------------------	--------

(N)

7. The following rates apply to DS3 services installed after June 9, 1998, but prior to February 26, 1999, unless rates as specified under 7.5.9(C) are lower, in which case the referenced rates apply.

	Recurring Charges Optional Payment Plan 12 Month
Local Distribution Channel - Per Point of Termination DS3 Electrical Service Package	
All States Zone 3	
DS3	\$ 2,300.00
DS3B	3,500.00
DS3C	4,910.00
DS3F	8,685.00
DS3L	13,750.00
DS3X	20,650.00

(This page filed under Transmittal No. 1390)

Issued: April 21, 2004

Effective: April 22, 2004

ACCESS SERVICE

7. Special Access Service (Cont'd)

7.5 Rates and Charges (Cont'd)

7.5.16 Optional Payment Plan Vintage Rates (Cont'd)

B. Vintage Rates

8.<sup>(1)</sup>

(D)

<sup>(1)</sup> Material in this Section has been de-tariffed as required by the Commission upon use of the forbearance relief pursuant to FCC Memorandum Opinion and Order No. 07-180, released October 12, 2007. Terms and Conditions associated with de-tariffed services are available at [www.att.com/guidebook](http://www.att.com/guidebook).

(This page filed under Transmittal No. 1666)

ACCESS SERVICE

7. Special Access Service (Cont'd)

7.5 Rates and Charges (Cont'd)

7.5.16 Optional Payment Plan Vintage Rates (Cont'd)

B. Vintage Rates

9.<sup>(1)</sup>

(D)

<sup>(1)</sup> Material in this Section has been de-tariffed as required by the Commission upon use of the forbearance relief pursuant to FCC Memorandum Opinion and Order No. 07-180, released October 12, 2007. Terms and Conditions associated with de-tariffed services are available at [www.att.com/guidebook](http://www.att.com/guidebook).

(This page filed under Transmittal No. 1666)

ACCESS SERVICE

7. Special Access Service (Cont'd)

7.5 Rates and Charges (Cont'd)

7.5.16 Optional Payment Plan Vintage Rates (Cont'd)

B. Vintage Rates

10.<sup>(1)</sup>

(D)

<sup>(1)</sup> Material in this Section has been de-tariffed as required by the Commission upon use of the forbearance relief pursuant to FCC Memorandum Opinion and Order No. 07-180, released October 12, 2007. Terms and Conditions associated with de-tariffed services are available at [www.att.com/guidebook](http://www.att.com/guidebook).

(This page filed under Transmittal No. 1666)



ACCESS SERVICE

7. Special Access Service (Cont'd)

7.5 Rates and Charges (Cont'd)

7.5.16 Optional Payment Plan Vintage Rates (Cont'd)

B. Vintage Rates

11. The following rates apply to SONET Xpress services installed prior to July 1, 1999, unless rates as specified under 7.5.12 are lower, in which case the referenced rates apply. N

	Recurring Rates Optional Payment Plan				
	12 Mo.	24 Mo.	36 Mo.	48 Mo.	60 Mo.
Network Access Connection All States					
- Per DS1 Customer Premises Termination		\$ 124.00		\$ 111.00	
- Per DS3 Customer Premises Termination	\$994.00	944.00	\$895.00	845.00	\$795.00
- Per OC-12 Customer Premises Termination		36,165.00		34,334.00	
- Per OC-12 Customer Premises Termination Sorted and Grouped		26,450.00		25,127.00	
Off Network Access Connection All States					
- Per DS1 Central Office Connection		60.00		42.00	
- Per DS3 Central Office Connection		75.00		60.00	
- Per OC-3 Central Office Connection		350.00		315.00	
- Per OC-12 Central Office Connection		590.00		570.00	
DS3 Payload Multiplexing All States					
- Per DS3/STS 1		355.00		315.00	N

(TR1206)

Issued: June 16, 1999

Effective: July 1, 1999

ACCESS SERVICE

7. Special Access Service (Cont'd)

7.5 Rates and Charges (Cont'd)

7.5.16 Optional Payment Plan Vintage Rates (Cont'd)

B. Vintage Rates (Cont'd)

12. The following rates apply to DS3 services installed prior to July 1, 2000, unless rates as specified under 7.5.9(C) are lower, in which case the referenced rates apply. (N)

	12 Mo.	24 Mo.	Recurring Charges Optional Payment Plan		60 Mo.	(N)
			36 Mo.	48 Mo.		
Local Distribution Channel - Per Point of Termination DS3 LDC with Electrical Interface						
All States						
Zone 1 TZUP1		\$ 2,160.00		\$ 1,134.00		
Zone 2 TZUP2	\$2,539.00	2,218.00		1,155.00		
Zone 3 TZUP3		2,370.00	\$1,348.00	1,219.00		
Channel Mileage Termination - Per Point of Termination						
All States						
Zone 1 CZ4X1		324.10				
Zone 2 CZ4X2		324.10	299.44	290.63		
Zone 3 CZ4X3	350.00	324.10	299.44	290.63	\$281.82	(N)

Rates contained in this transmittal are subject to subsequent adjustment, effective retrospectively back to the transmittal's original effective date, in the event the Commission or a court subsequently authorizes Ameritech to correct its rates pursuant to pending motions, or petitions for reconsideration or waiver (and including, but not limited to, any Application for Review of the letter from Lawrence E. Strickling, Chief, Common Carrier Bureau, FCC, to Dale Robertson, SBC, dated May 18, 1999 which may be filed with the Commission), or in the event of any other adjustment pursuant to an order of the Commission or a court.

(This page filed under Transmittal No. 1238)

Issued: June 16, 2000

Effective: July 1, 2000

One Bell Plaza, Dallas, Texas 75202

(T)  
 (D)  
 (D)

ACCESS SERVICE

7. Special Access Service (Cont'd)

7.5 Rates and Charges (Cont'd)

7.5.16 Optional Payment Plan Vintage Rates (Cont'd)

B. Vintage Rates (Cont'd)

12. The following rates apply to DS3 services installed prior to July 1, 2000, unless rates as specified under 7.5.9(C) are lower, in which case the referenced rates apply. (Cont'd)

		Recurring Charges Optional Payment Plan			
		12 Mo.	24 Mo.	48 Mo.	
Channel Mileage					
- Per Mile					
All States					
Zone 1	IYZX1			\$59.64	
Zone 2	IYZX2		\$100.00	59.64	
Zone 3	IYZX3	\$110.00	100.00	74.64	
Interconnection –					
Central Office Multiplexing					
-	Per Arrangement				(T)
-	DS3 to				(T)
	DS1				
All States					
Zone 1	QM3X1				
Zone 2	QM3X2		585.12		
Zone 3	QM3X3		585.12	524.70	

ACCESS SERVICE

7. Special Access Service (Cont'd)

7.5 Rates and Charges (Cont'd)

7.5.16 Optional Payment Plan Vintage Rates (Cont'd)

B. Vintage Rates (Cont'd)

13. The following rates apply to DS1 services installed prior to July 1, 2000, unless rates as specified under 7.5.15 are lower, in which case the referenced rates apply.

Installation and Rearrangement Charges

	USOC	Customer Connection Charge Per Termination	
		12 Mo.	24 Mo.
DS1 Service - 1.544 Mbps.			
All States			
Zone 1	NRBB1	\$200.00	\$200.00
Zone 2	NRBB2	230.00	230.00
Zone 3	NRBB3	260.00	260.00

(T)

This page filed under Transmittal No. 1357)

Issued: October 6, 2003

Effective: October 21, 2003

ACCESS SERVICE

7. Special Access Service (Cont'd)

7.5 Rates and Charges (Cont'd)

7.5.16 Optional Payment Plan Vintage Rates (Cont'd)

(B) Vintage Rates (Cont'd)

14. The following rates apply to DS1 services installed prior to November 18, 2000, unless rates as specified under 7.5.9(B) are lower, in which case the referenced rates apply.

	USOC	Recurring Charges Optional Payment Plan					Discount Commitment Program**	
		12 Mo.	24 Mo.	36 Mo.	48 Mo.	60 Mo.	36 Mo.	60 Mo.
Local Distribution Channel								
-Per Point of Termination								
-Terminating Bit Rate								
1.544 Mbps								
All States								
Zone 1	TZ4X1	\$205.00	\$205.00	\$124.56	\$124.56	\$112.50	\$134.87	\$127.38
Zone 2	TZ4X2	211.00	211.00	128.71	128.71	115.40	139.36	131.62
Zone 3	TZ4X3	253.00	253.00	138.40	138.40	125.00	149.85	141.53
DAL*								
(1.544 Mbps)								
All States								
Zone 1	TZ4X1	205.00	205.00	124.56	124.56	112.50	134.87	127.38
Zone 2	TZ4X2	211.00	211.00	128.71	128.71	115.40	139.36	131.62
Zone 3	TZ4X3	253.00	253.00	138.40	138.40	125.00	149.85	141.53

\* An DS1 DAL is available only when the WATS serving office is an appropriately equipped digital switch.

\*\*DCP is not available for DS1 Local Distribution Channels (LDC) associated with 128, 256, 384, 512, and 768 Kbps Channel Mileage Termination and Channel Mileage, installed after October 2, 2000. (N)

(This page filed under Transmittal No. 1390)

Issued: April 21, 2004

Effective: April 22, 2004

ACCESS SERVICE

7. Special Access Service (Cont'd)

7.5 Rates and Charges (Cont'd)

7.5.16 Optional Payment Plan Vintage Rates (Cont'd)

(B) Vintage Rates

14. The following rates apply to DS1 services installed prior to November 18, 2000, unless rates as specified under 7.5.9(B) are lower, in which case the referenced rates apply. (T)

Channel Mileage Termination -Per Point of Termination	USOC	Recurring Charges Optional Payment Plan					Discount Commitment Program	
		12 Mo.	24 Mo.	36 Mo.	48 Mo.	60 Mo.	36 Mo.	60 Mo.
-1.544 Mbps								
Illinois								
Zone 1	CZ4X1	\$71.00	\$71.00	\$37.89	\$37.89	\$24.80	\$47.99	\$38.78
Zone 2	CZ4X2	71.00	71.00	37.89	37.89	24.80	47.99	38.78
Zone 3	CZ4X3	71.00	71.00	47.45	47.45	42.51	51.61	48.74
Indiana, Michigan, Ohio and Wisconsin								
Zone 1	CZ4X1	71.00	71.00	37.89	37.89	24.80	47.99	38.78
Zone 2	CZ4X2	71.00	71.00	37.89	37.89	24.80	47.99	38.78
Zone 3	CZ4X3	71.00	71.00	52.70	52.70	46.00	55.80	51.00
Channel Mileage -Per Mile -1.544 Mbps								
All States								
Zone 1	1YZX1	\$23.00	\$23.00	\$15.82	\$15.82	\$13.84	\$18.68	\$17.65
Zone 2	1YZX2	23.00	23.00	15.82	15.82	13.84	18.68	17.65
Zone 3	1YZX3	23.00	23.00	15.82	15.82	13.84	18.68	17.65

This page filed under Transmittal No. 1357)

Issued: October 6, 2003

Effective: October 21, 2003

## ACCESS SERVICE

## 7. Special Access Service (Cont'd)

## 7.5 Rates and Charges (Cont'd)

## 7.5.16 Optional Payment Plan Vintage Rates (Cont'd)

## (B) Vintage Rates

14. The following rates apply to DS1 services installed prior to November 18, 2000, unless rates as specified under 7.5.9(B) are lower, in which case the referenced rates apply. (T)

USOC	Recurring Charges				
	12 Month	24 Month	36 Month	48 Month	60 Month
Automatic Protection Switching Per Arrangement <sup>/1/</sup>					
Illinois					
Zone 1 AU1X1	\$493.00	\$493.00	\$318.00	\$318.00	\$284.00
Zone 2 AU1X2	505.00	505.00	326.00	326.00	290.00
Zone 3 AU1X3	621.00	621.00	363.00	363.00	325.00
Indiana					
Zone 1 AU1X1	493.00	493.00	318.00	318.00	284.00
Zone 2 AU1X2	505.00	505.00	326.00	326.00	290.00
Zone 3 AU1X3	621.00	621.00	363.00	363.00	325.00
Michigan					
Zone 1 AU1X1	493.00	493.00	318.00	318.00	284.00
Zone 2 AU1X2	505.00	505.00	326.00	326.00	290.00
Zone 3 AU1X3	621.00	621.00	363.00	363.00	325.00
Ohio					
Zone 1 AU1X1	493.00	493.00	318.00	318.00	284.00
Zone 2 AU1X2	505.00	505.00	326.00	326.00	290.00
Zone 3 AU1X3	621.00	621.00	363.00	363.00	325.00
Wisconsin					
Zone 1 AU1X1	493.00	493.00	318.00	318.00	284.00
Zone 2 AU1X2	505.00	505.00	326.00	326.00	290.00
Zone 3 AU1X3	505.00	505.00	326.00	326.00	290.00

/1/ An additional Local Distribution Channel charge will apply whenever the spare line is provided as a leg to the customer's premises.

This page filed under Transmittal No. 1357)

Issued: October 6, 2003

Effective: October 21, 2003

ACCESS SERVICE

7. Special Access Service (Cont'd)

7.5 Rates and Charges (Cont'd)

7.5.16 Optional Payment Plan Vintage Rates (Cont'd)

(B) Vintage Rates

14. The following rates apply to DS1 services installed prior to November 18, 2000, unless rates as specified under 7.5.9(B) are lower, in which case the referenced rates apply.

USOC	Recurring Charges Optional Payment Plan				Discount Commitment Program			
	12 Mo.	24 Mo.	36 Mo.	48 Mo.	60 Mo.	36 Mo.	60 Mo.	
Interconnection								
Central Office								
Multiplexing								
-DS1								
to Voice/ Base								
Rate/128.0, 256.0,								
384.0, 512.0, 768.0 Kbps								
Transport*								
(N)								
All States								
Zone 1	QMVX1	\$250.00	\$250.00	\$195.00	\$195.00	\$175.00	\$274.50	\$259.25
Zone 2	QMVX2	260.00	260.00	200.00	200.00	180.00	274.50	259.25
Zone 3	QMVX3	270.00	270.00	205.00	205.00	185.00	274.50	259.25
ANRS System Location								
Port Termination								
-DS1 Termination								
All States								
Zone 1	PQD11			45.60	\$44.16	\$40.80	\$39.60	\$38.40
Zone 2	PQD12			45.60	44.16	40.80	39.60	38.40
Zone 3	PQD13			45.60	44.16	40.80	39.60	38.40

\* A channel of this DS1 to the hub may be used for Program Audio or Dedicated Access Line Service. Multiple channels may be required to provide individual Program Audio Channels.

(This page filed under Transmittal No. 1390)

Issued: April 21, 2004

Effective: April 22, 2004



## ACCESS SERVICE

## 7. Special Access Service (Cont'd)

## 7.5 Rates and Charges (Cont'd)

## 7.5.16 Optional Payment Plan Vintage Rates (Cont'd)

## (B) Vintage Rates

14. The following rates apply to DS3 services installed prior to November 18, 2000, unless rates as specified under 7.5.9(C) are lower, in which case the referenced rates apply. (T)

	USOC	12 Mo.	24 Mo.	Recurring Charges Optional Payment Plan		
				36 Mo.	48 Mo.	60 Mo.
Local Distribution Channel						
-Per Point of Termination						
Terminating Bit Rate, 44.736 Mbps						
DS3 LDC With Electrical Interface						
Illinois						
Zone 1	TZUP1	\$2,470.00	\$2,470.00	\$1,250.00	\$1,250.00	\$1,000.00
Zone 2	TZUP2	2,540.00	2,540.00	1,300.00	1,300.00	1,040.00
Zone 3	TZUP3	2,800.00	2,800.00	1,350.00	1,350.00	1,080.00
Indiana						
Zone 1	TZUP1	2,470.00	2,470.00	1,250.00	1,250.00	1,000.00
Zone 2	TZUP2	2,540.00	2,540.00	1,300.00	1,300.00	1,040.00
Zone 3	TZUP3	2,800.00	2,800.00	1,350.00	1,350.00	1,080.00
Michigan						
Zone 1	TZUP1	2,470.00	2,470.00	1,250.00	1,250.00	1,000.00
Zone 2	TZUP2	2,540.00	2,540.00	1,300.00	1,300.00	1,040.00
Zone 3	TZUP3	2,800.00	2,800.00	1,350.00	1,350.00	1,080.00
Ohio						
Zone 1	TZUP1	2,470.00	2,470.00	1,250.00	1,250.00	1,000.00
Zone 2	TZUP2	2,540.00	2,540.00	1,300.00	1,300.00	1,040.00
Zone 3	TZUP3	2,800.00	2,800.00	1,350.00	1,350.00	1,080.00
Wisconsin						
Zone 1	TZUP1	2,470.00	2,470.00	1,250.00	1,250.00	1,000.00
Zone 2	TZUP2	2,540.00	2,540.00	1,300.00	1,300.00	1,040.00
Zone 3	TZUP3	2,800.00	2,800.00	1,350.00	1,350.00	1,080.00

This page filed under Transmittal No. 1357)

Issued: October 6, 2003

Effective: October 21, 2003

## ACCESS SERVICE

## 7. Special Access Service (Cont'd)

## 7.5 Rates and Charges (Cont'd)

## 7.5.16 Optional Payment Plan Vintage Rates (Cont'd)

## (B) Vintage Rates

15. The following rates apply to DS3 services installed prior to November 18, 2000, unless rates as specified under 7.5.9(C) are lower, in which case the referenced rates apply. (T)

USOC	Recurring Charges				
	12 Mo.	24 Mo.	36 Mo.	48 Mo.	60 Mo.
Terminating Bit Rate 44.736 Mbps					
DS3 Service Package with Optical interface - Per Package					
Illinois					
Zone 1 DS3012 PCG31	\$15,750.00	\$15,750.00	\$6,125.00	\$6,125.00	\$3,750.00
DS3024 PCG31	23,625.00	23,625.00	8,750.00	8,750.00	5,000.00
Zone 2 DS3012 PCG32	15,750.00	15,750.00	6,125.00	6,125.00	3,750.00
DS3024 PCG32	23,625.00	23,625.00	8,750.00	8,750.00	5,000.00
Zone 3 DS3012 PCG33	15,750.00	15,750.00	6,125.00	6,125.00	3,750.00
DS3024 PCG33	23,625.00	23,625.00	8,750.00	8,750.00	5,000.00
Indiana					
Zone 1 DS3012 PCG31	\$15,750.00	\$15,750.00	\$6,125.00	\$6,125.00	\$3,750.00
DS3024 PCG31	23,625.00	23,625.00	8,750.00	8,750.00	5,000.00
Zone 2 DS3012 PCG32	15,750.00	15,750.00	6,125.00	6,125.00	3,750.00
DS3024 PCG32	23,625.00	23,625.00	8,750.00	8,750.00	5,000.00
Zone 3 DS3012 PCG33	15,750.00	15,750.00	6,125.00	6,125.00	3,750.00
DS3024 PCG33	23,625.00	23,625.00	8,750.00	8,750.00	5,000.00
Michigan					
Zone 1 DS3012 PCG31	\$15,750.00	\$15,750.00	\$6,125.00	\$6,125.00	\$3,750.00
DS3024 PCG31	23,625.00	23,625.00	8,750.00	8,750.00	5,000.00
Zone 2 DS3012 PCG32	15,750.00	15,750.00	6,125.00	6,125.00	3,750.00
DS3024 PCG32	23,625.00	23,625.00	8,750.00	8,750.00	5,000.00
Zone 3 DS3012 PCG33	15,750.00	15,750.00	6,125.00	6,125.00	3,750.00
DS3024 PCG33	23,625.00	23,625.00	8,750.00	8,750.00	5,000.00

This page filed under Transmittal No. 1357)

Issued: October 6, 2003

Effective: October 21, 2003

## ACCESS SERVICE

## 7. Special Access Service (Cont'd)

## 7.5 Rates and Charges (Cont'd)

## 7.5.16 Optional Payment Plan Vintage Rates (Cont'd)

## (B) Vintage Rates

15. The following rates apply to DS3 services installed prior to November 18, 2000, unless rates as specified under 7.5.9(C) are lower, in which case the referenced rates apply. (T)

USOC		12 Mo.	24 Mo.	Recurring Charges Optional Payment Plan		
				36 Mo.	48 Mo.	60 Mo.
Terminating Bit Rate 44.736 Mbps						
DS3 Service Package with Optical Interface - Per Package (Cont'd)						
Ohio						
Zone 1	DS3012 PCG31	\$15,750.00	\$15,750.00	\$6,125.00	\$6,125.00	\$3,750.00
	DS3024 PCG31	23,625.00	23,625.00	8,750.00	8,750.00	5,000.00
Zone 2	DS3012 PCG32	15,750.00	15,750.00	6,125.00	6,125.00	3,750.00
	DS3024 PCG32	23,625.00	23,625.00	8,750.00	8,750.00	5,000.00
Zone 3	DS3012 PCG33	15,750.00	15,750.00	6,125.00	6,125.00	3,750.00
	DS3024 PCG33	23,625.00	23,625.00	8,750.00	8,750.00	5,000.00
Wisconsin						
Zone 1	DS3012 PCG31	\$15,750.00	\$15,750.00	\$6,125.00	\$6,125.00	\$3,750.00
	DS3024 PCG31	23,625.00	23,625.00	8,750.00	8,750.00	5,000.00
Zone 2	DS3012 PCG32	15,750.00	15,750.00	6,125.00	6,125.00	3,750.00
	DS3024 PCG32	23,625.00	23,625.00	8,750.00	8,750.00	5,000.00
Zone 3	DS3012 PCG33	15,750.00	15,750.00	6,125.00	6,125.00	3,750.00
	DS3024 PCG33	23,625.00	23,625.00	8,750.00	8,750.00	5,000.00

This page filed under Transmittal No. 1357)

Issued: October 6, 2003

Effective: October 21, 2003

## ACCESS SERVICE

## 7. Special Access Service (Cont'd)

## 7.5 Rates and Charges (Cont'd)

## 7.5.16 Optional Payment Plan Vintage Rates (Cont'd)

## (B) Vintage Rates

15. The following rates apply to DS3 services installed prior to November 18, 2000, unless rates as specified under 7.5.9(C) are lower, in which case the referenced rates apply. (T)

Channel Mileage	USOC	Recurring Charges				
		12 Mo.	24 Mo.	36 Mo.	48 Mo.	60 Mo.
Termination -Per Point of Termination						
Illinois	Zone 1 CZ4X1	\$325.00	\$325.00	\$275.00	\$275.00	\$250.00
	Zone 2 CZ4X2	350.00	350.00	300.00	300.00	275.00
	Zone 3 CZ4X3	400.00	400.00	350.00	350.00	325.00
Indiana	Zone 1 CZ4X1	325.00	325.00	275.00	275.00	250.00
	Zone 2 CZ4X2	350.00	350.00	300.00	300.00	275.00
	Zone 3 CZ4X3	400.00	400.00	350.00	350.00	325.00
Michigan	Zone 1 CZ4X1	325.00	325.00	275.00	275.00	250.00
	Zone 2 CZ4X2	350.00	350.00	300.00	300.00	275.00
	Zone 3 CZ4X3	400.00	400.00	350.00	350.00	325.00
Ohio	Zone 1 CZ4X1	325.00	325.00	275.00	275.00	250.00
	Zone 2 CZ4X2	350.00	350.00	300.00	300.00	275.00
	Zone 3 CZ4X3	400.00	400.00	350.00	350.00	325.00
Wisconsin	Zone 1 CZ4X1	325.00	325.00	275.00	275.00	250.00
	Zone 2 CZ4X2	350.00	350.00	300.00	300.00	275.00
	Zone 3 CZ4X3	400.00	400.00	350.00	350.00	325.00
Channel Mileage -Per Mile						
Illinois	Zone 1 1YZX1	100.00	100.00	60.00	60.00	35.00
	Zone 2 1YZX2	110.00	110.00	65.00	65.00	40.00
	Zone 3 1YZX3	120.00	120.00	75.00	75.00	50.00
Indiana	Zone 1 1YZX1	100.00	100.00	60.00	60.00	35.00
	Zone 2 1YZX2	110.00	110.00	65.00	65.00	40.00
	Zone 3 1YZX3	120.00	120.00	75.00	75.00	50.00

This page filed under Transmittal No. 1357)

Issued: October 6, 2003

Effective: October 21, 2003

ACCESS SERVICE

7. Special Access Service (Cont'd)

7.5 Rates and Charges (Cont'd)

7.5.16 Optional Payment Plan Vintage Rates (Cont'd)

(B) Vintage Rates

15. The following rates apply to DS3 services installed prior to November 18, 2000, unless rates as specified under 7.5.9(C) are lower, in which case the referenced rates apply.

(T)

Channel Mileage -Per Mile (Cont'd)	USOC	Recurring Charges Optional Payment Plan					
		12 Mo.	24 Mo.	36 Mo.	48 Mo.	60 Mo.	
Michigan	Zone 1	1YZX1	100.00	100.00	60.00	60.00	35.00
	Zone 2	1YZX2	110.00	110.00	65.00	65.00	40.00
	Zone 3	1YZX3	120.00	120.00	75.00	75.00	50.00
Ohio	Zone 1	1YZX1	100.00	100.00	60.00	60.00	35.00
	Zone 2	1YZX2	110.00	110.00	65.00	65.00	40.00
	Zone 3	1YZX3	120.00	120.00	75.00	75.00	50.00
Wisconsin	Zone 1	1YZX1	100.00	100.00	60.00	60.00	35.00
	Zone 2	1YZX2	110.00	110.00	65.00	65.00	40.00
	Zone 3	1YZX3	120.00	120.00	75.00	75.00	50.00
Interconnection - Central Office Multiplexing -Per Arrangement -DS3 to DS1							
All States	Zone 1	QM3X1	575.00	575.00	475.00	475.00	450.00
	Zone 2	QM3X2	600.00	600.00	500.00	500.00	475.00
	Zone 3	QM3X3	625.00	625.00	525.00	525.00	500.00

(T)  
(T)

This page filed under Transmittal No. 1357)

Issued: October 6, 2003

Effective: October 21, 2003

ACCESS SERVICE

7. Special Access Service (Cont'd)

7.5 Rates and Charges (Cont'd)

7.5.16 Optional Payment Plan Vintage Rates (Cont'd)

(B) Vintage Rates

15. The following rates apply to DS3 services installed prior to November 18, 2000, unless rates as specified under 7.5.9(C) are lower, in which case the referenced rates apply. (T)

USOC	Recurring Charges				
	12 Mo.	Optional Payment Plan 24 Mo.	36 Mo.	48 Mo.	60 Mo.
ANRS System Location					
Port Termination					
- Per DS3 Termination					
- All States					
Zone 1	\$166.25	\$161.00	\$148.75	\$144.00	\$140.00
Zone 2	166.25	161.00	148.75	144.00	140.00
Zone 3	166.25	161.00	148.75	144.00	140.00

ACCESS SERVICE

7. Special Access Service (Cont'd)

7.5 Rates and Charges (Cont'd)

7.5.16 Optional Payment Plan Vintage Rates (Cont'd)

(B) Vintage Rates (Cont'd)

16.<sup>(1)</sup>

(D)

<sup>(1)</sup> Material in this Section has been de-tariffed as required by the Commission upon use of the forbearance relief pursuant to FCC Memorandum Opinion and Order No. 07-180, released October 12, 2007. Terms and Conditions associated with de-tariffed services are available at [www.att.com/guidebook](http://www.att.com/guidebook).

(This page filed under Transmittal No. 1666)

ACCESS SERVICE

7. Special Access Service (Cont'd)

7.5 Rates and Charges (Cont'd)

7.5.16 Optional Payment Plan Vintage Rates (Cont'd)

(B) Vintage Rates (Cont'd)

16.<sup>(1)</sup>

(D)

<sup>(1)</sup> Material in this Section has been de-tariffed as required by the Commission upon use of the forbearance relief pursuant to FCC Memorandum Opinion and Order No. 07-180, released October 12, 2007. Terms and Conditions associated with de-tariffed services are available at [www.att.com/guidebook](http://www.att.com/guidebook).

(This page filed under Transmittal No. 1666)



ACCESS SERVICE

7. Special Access Service (Cont'd)

7.5 Rates and Charges

7.5.16 Optional Payment Plan Vintage Rates (Cont'd)

(B) Vintage Rates (Cont'd)

16.<sup>(1)</sup>

(D)

<sup>(1)</sup> Material in this Section has been de-tariffed as required by the Commission upon use of the forbearance relief pursuant to FCC Memorandum Opinion and Order No. 07-180, released October 12, 2007. Terms and Conditions associated with de-tariffed services are available at [www.att.com/guidebook](http://www.att.com/guidebook).

(This page filed under Transmittal No. 1666)

ACCESS SERVICE

7. Special Access Service (Cont'd)

7.5 Rates and Charges (Cont'd)

7.5.16 Optional Payment Plan Vintage Rates (Cont'd)

(B) Vintage Rates (Cont'd)

17.<sup>(1)</sup>

(D)

<sup>(1)</sup> Material in this Section has been de-tariffed as required by the Commission upon use of the forbearance relief pursuant to FCC Memorandum Opinion and Order No. 07-180, released October 12, 2007. Terms and Conditions associated with de-tariffed services are available at [www.att.com/guidebook](http://www.att.com/guidebook).

(This page filed under Transmittal No. 1666)

ACCESS SERVICE

7. Special Access Service (Cont'd)

7.5 Rates and Charges (Cont'd)

7.5.16 Optional Payment Plan Vintage Rates (Cont'd)

18. The following rates apply to Direct Analog Services installed between February 18, 2003 and June 30, 2003.

		Discount Commitment Program	
	USOC	36 Mo.	60 Mo.
Channel Mileage			
- Per mile			
- All states	1L5XX	.72	.66

The following rates apply to Video Services installed between May 18, 2003 and June 30, 2003.

	USOC	12 Mo.	36 Mo.	60 Mo.
TV Analog Video Service				
Local Distribution Channel				
-Per point of Termination				
-TV-1 or 2				
-All States	TMEV1	330.00	300.00	270.00
Supertrunking Video Service (ASVS)				
Local Distribution Channel				
-Per point of Termination				
-All States				
-Originating LDC	T7TTX	730.00		
Channel Mileage				
-Per Mile				
-All States	1A8QS	30.00		

Rates contained in this transmittal are subject to subsequent adjustment, effective retrospectively, in the event the Commission or a court subsequently authorizes Ameritech to correct its rates pursuant to pending motions, or petitions for reconsideration or waiver, or in the event of any other adjustment to an order of the Commission or a court.

(This page filed under Transmittal No. 1347)

(N)

ACCESS SERVICE

7. Special Access Service (Cont'd)

7.5 Rates and Charges (Cont'd)

7.5.16 Optional Payment Plan Vintage Rates (Cont'd)

18. The following rates apply to Video Services installed between August 11, 2000 and June 30, 2003.

Supertrunking Video Service (ASVS) (Cont'd)	USOC	84 Mo.				
---	------	--------	--	--	--	--

Video Bridging -Per port -All States	BCNVD	9.00				
--	-------	------	--	--	--	--

ASVS Repeater -Per each Repeater Transmitter -All States	VRNRT	455.00				
--	-------	--------	--	--	--	--

The following rates apply to Video Services installed between July 9, 1998 and June 30, 2003.

Multichannel Video Service (AMVS)	USOC	12 Mo.	24 Mo.	36 Mo.	48 Mo.	60 Mo.
---	------	--------	--------	--------	--------	--------

Channel Mileage -Per Mile -All States	1L5XX	65.00	64.00	63.00	62.00	61.00
---	-------	-------	-------	-------	-------	-------

The following rates apply to Video Services installed between September 15, 1999 and June 30, 2003.

Serial Component Video Service (SCVS)	USOC	12 Mo.	24 Mo.	36 Mo.	48 Mo.	60 Mo.
---	------	--------	--------	--------	--------	--------

Channel Mileage -Per Mile -All States	1L5XX	70.00	69.00	68.00	67.00	66.00
---	-------	-------	-------	-------	-------	-------

Rates contained in this transmittal are subject to subsequent adjustment, effective retrospectively, in the event the Commission or a court subsequently authorizes Ameritech to correct its rates pursuant to pending motions, or petitions for reconsideration or waiver, or in the event of any other adjustment to an order of the Commission or a court.

(This page filed under Transmittal No. 1347)

(N)

(N)

ACCESS SERVICE

7. Special Access Service (Cont'd)

7.5 Rates and Charges (Cont'd)

7.5.16 Optional Payment Plan Vintage Rates (Cont'd)

18. The following rates apply to Base Rate Services installed between July 2, 2002 and June 30, 2003.

(T)

Local Distribution Channel	USOC	60 Mo.	DCP 60 Mo.
-Per point of Termination			
-All States	T6ECS	58.00	
Channel Mileage Termination			
-Per point of Mileage Termination			
-All States	CM6		10.80
Channel Mileage -Per Mile			
-All States	1L5XX	.72	

## ACCESS SERVICE

## 7. Special Access Service (Cont'd)

## 7.5 Rates and Charges (Cont'd)

## 7.5.16 Optional Payment Plan Vintage Rates (Cont'd)

18. The following rates apply to DS1 and DAL Services installed between February 18, 2003 and June 30, 2003.

(T)

Local Distribution Channel -Per point of Termination	USOC	OPP				DCP	
		24 Mo.	36 Mo.	48 Mo.	60 Mo.	36 Mo.	60 Mo.
<b>Illinois</b>							
Zone 1	TZ4X1	140.00				124.00	110.00
Zone 2	TZ4X2	150.00				134.00	119.00
Zone 3	TZ4X3	165.00			107.00	146.00	131.00
Zone 4	TZ4X4	175.00	129.00	129.00	117.00	157.00	143.00
Zone 5	TZ4X5	185.00	135.00	135.00	121.00	165.00	148.00
<b>Indiana</b>							
Zone 1	TZ4X1	157.50				138.00	124.00
Zone 2	TZ4X2	167.50				149.00	134.00
Zone 3	TZ4X3	185.00				163.00	146.00
Zone 4	TZ4X4	195.00	144.00	144.00	130.00	176.00	159.00
Zone 5	TZ4X5	210.00	152.00	152.00	137.00	185.00	167.00
<b>Michigan</b>							
Zone 1	TZ4X1	150.00				132.00	120.00
Zone 2	TZ4X2	160.00				143.00	129.00
Zone 3	TZ4X3	175.00				157.00	140.00
Zone 4	TZ4X4	185.00	138.00	138.00	125.00	168.00	153.00
Zone 5	TZ4X5	200.00	146.00	146.00	132.00	178.00	161.00
<b>Ohio</b>							
Zone 1	TZ4X1	150.00				132.00	120.00
Zone 2	TZ4X2	160.00				143.00	129.00
Zone 3	TZ4X3	175.00				157.00	140.00
Zone 4	TZ4X4	185.00	138.00	138.00	125.00	168.00	153.00
Zone 5	TZ4X5	200.00	146.00	146.00	132.00	178.00	161.00
<b>Wisconsin</b>							
Zone 1	TZ4X1	157.50				138.00	124.00
Zone 2	TZ4X2	167.50				149.00	134.00
Zone 3	TZ4X3	185.00				163.00	146.00
Zone 4	TZ4X4	195.00	144.00	144.00	130.00	176.00	159.00
Zone 5	TZ4X5	210.00	152.00	152.00	137.00	185.00	167.00

This page filed under Transmittal No. 1357)

Issued: October 6, 2003

Effective: October 21, 2003

## ACCESS SERVICE

## 7. Special Access Service (Cont'd)

## 7.5 Rates and Charges (Cont'd)

## 7.5.16 Optional Payment Plan Vintage Rates (Cont'd)

18. The following rates apply to DS1 Services installed between July 2, 2002 and June 30, 2003. (T)

Channel	USOC	OPP		DCP	
		24 Mo.	60 Mo.	36 Mo.	60 Mo.
Mileage Termination -Per point of Termination					
Illinois					
Zone 1	CZ4X1	50.00		42.70	25.62
Zone 2	CZ4X2	52.00		45.14	26.23
Zone 3	CZ4X3	54.00		47.58	28.06
Zone 4	CZ4X4	56.00	35.00	50.02	42.70
Zone 5	CZ4X5	58.00	40.00	52.46	48.80
Indiana					
Zone 1	CZ4X1	52.00		45.14	28.06
Zone 2	CZ4X2	54.00		47.58	28.67
Zone 3	CZ4X3	56.00		50.02	30.50
Zone 4	CZ4X4	58.00	37.00	52.46	45.14
Zone 5	CZ4X5	60.00	42.00	54.90	51.24
Michigan					
Zone 1	CZ4X1	51.50		43.92	26.54
Zone 2	CZ4X2	53.50		46.36	27.15
Zone 3	CZ4X3	55.50		48.80	28.98
Zone 4	CZ4X4	57.50	35.75	51.24	43.62
Zone 5	CZ4X5	59.50	40.75	53.68	49.72
Ohio					
Zone 1	CZ4X1	51.50		43.92	26.54
Zone 2	CZ4X2	53.50		46.36	27.15
Zone 3	CZ4X3	55.50		48.80	28.98
Zone 4	CZ4X4	57.50	35.75	51.24	43.62
Zone 5	CZ4X5	59.50	40.75	53.68	49.72
Wisconsin					
Zone 1	CZ4X1	52.00		45.14	28.06
Zone 2	CZ4X2	54.00		47.58	28.67
Zone 3	CZ4X3	56.00		50.02	30.50
Zone 4	CZ4X4	58.00	37.00	52.46	45.14
Zone 5	CZ4X5	60.00	42.00	54.90	51.24

This page filed under Transmittal No. 1357)

Issued: October 6, 2003

Effective: October 21, 2003

ACCESS SERVICE

7. Special Access Service (Cont'd)

7.5 Rates and Charges (Cont'd)

7.5.16 Optional Payment Plan Vintage Rates (Cont'd)

18. The following rates apply to DS1 Services installed between July 2, 2002 and June 30, 2003. (Cont'd)

(T)

Channel Mileage -Per Mile	USOC	OPP				DCP	
		24 Mo.	36 Mo.	48 Mo.	60 Mo.	36 Mo.	60 Mo.
Illinois							
Zone 1	1YZX1	18.25	14.25	14.25	12.00	17.39	14.64
Zone 2	1YZX2	19.25	14.50	14.50	12.25	17.69	14.95
Zone 3	1YZX3	20.25	14.75	14.75	12.50	18.00	15.25
Zone 4	1YZX4	21.25	15.00	15.00	12.75	18.30	15.56
Zone 5	1YZX5	22.25	15.25	15.25	13.00	18.61	15.86
Indiana							
Zone 1	1YZX1	18.50	14.50	14.50	12.25	17.69	14.95
Zone 2	1YZX2	19.50	14.75	14.75	12.50	18.00	15.25
Zone 3	1YZX3	20.50	15.00	15.00	12.75	18.30	15.56
Zone 4	1YZX4	21.50	15.25	15.25	13.00	18.61	15.86
Zone 5	1YZX5	22.50	15.50	15.50	13.25	18.91	16.17
Michigan							
Zone 1	1YZX1	18.40	14.40	14.40	12.15	17.57	14.82
Zone 2	1YZX2	19.40	14.65	14.65	12.40	17.87	15.13
Zone 3	1YZX3	20.40	14.90	14.90	12.65	18.18	15.43
Zone 4	1YZX4	21.40	15.15	15.15	12.90	18.48	15.74
Zone 5	1YZX5	22.40	15.40	15.40	13.15	18.79	16.04
Ohio							
Zone 1	1YZX1	18.40	14.40	14.40	12.15	17.57	14.82
Zone 2	1YZX2	19.40	14.65	14.65	12.40	17.87	15.13
Zone 3	1YZX3	20.40	14.90	14.90	12.65	18.18	15.43
Wisconsin							
Zone 1	1YZX1	18.50	14.50	14.50	12.25	17.69	14.95
Zone 2	1YZX2	19.50	14.75	14.75	12.50	18.00	15.25
Zone 3	1YZX3	20.50	15.00	15.00	12.75	18.30	15.56
Zone 4	1YZX4	21.50	15.25	15.25	13.00	18.61	15.86
Zone 5	1YZX5	22.50	15.50	15.50	13.25	18.91	16.17

This page filed under Transmittal No. 1357)

Issued: October 6, 2003

Effective: October 21, 2003



## ACCESS SERVICE

## 7. Special Access Service (Cont'd)

## 7.5 Rates and Charges (Cont'd)

## 7.5.16 Optional Payment Plan Vintage Rates (Cont'd)

18. The following rates apply to DS1 Services installed between November 18, 2000 and June 30, 2003.

(T)

Interconnection USOC	DCP	
	36 Mo.	60 Mo.
Central Office Multiplexing -DS1 to Voice		
Illinois		
Zone 1 QMVX1	233.00	205.00
Zone 2 QMVX2	235.00	207.00
Zone 3 QMVX3	244.00	215.00
Zone 4 QMVX4	256.00	227.00
Zone 5 QMVX5	262.00	232.00
Indiana		
Zone 1 QMVX1	243.00	214.00
Zone 2 QMVX2	245.00	216.00
Zone 3 QMVX3	254.00	224.00
Zone 4 QMVX4	267.00	235.00
Zone 5 QMVX5	273.00	242.00
Michigan		
Zone 1 QMVX1	238.00	210.00
Zone 2 QMVX2	240.00	211.00
Zone 3 QMVX3	249.00	220.00
Zone 4 QMVX4	261.00	232.00
Zone 5 QMVX5	268.00	237.00
Ohio		
Zone 1 QMVX1	238.00	210.00
Zone 2 QMVX2	240.00	211.00
Zone 3 QMVX3	249.00	220.00
Zone 4 QMVX4	261.00	232.00
Zone 5 QMVX5	268.00	237.00
Wisconsin		
Zone 1 QMVX1	243.00	214.00
Zone 2 QMVX2	245.00	216.00
Zone 3 QMVX3	254.00	224.00
Zone 4 QMVX4	267.00	235.00
Zone 5 QMVX5	273.00	242.00

This page filed under Transmittal No. 1357)

Issued: October 6, 2003

Effective: October 21, 2003

## ACCESS SERVICE

## 7. Special Access Service (Cont'd)

## 7.5 Rates and Charges (Cont'd)

## 7.5.16 Optional Payment Plan Vintage Rates (Cont'd)

18. The following rates apply to DS1 Services installed between February 18, 2003 and June 30, 2003.

(T)

ANRS Location Port Terminations -DS1 Termination	USOC	12 Mo.	24 Mo.	36 Mo.	48 Mo.	60 Mo.
Illinois						
Zone 1	PQD11	45.60	44.10	40.80	39.60	38.40
Zone 2	PQD12	45.60	44.10	40.80	39.60	38.40
Zone 3	PQD13	45.60	44.10	40.80	39.60	38.40
Zone 4	PQD14	45.60	44.10	40.80	39.60	38.40
Zone 5	PQD15	45.60	44.10	40.80	39.60	38.40
Indiana						
Zone 1	PQD11	45.60	44.10	40.80	39.60	38.40
Zone 2	PQD12	45.60	44.10	40.80	39.60	38.40
Zone 3	PQD13	45.60	44.10	40.80	39.60	38.40
Zone 4	PQD14	45.60	44.10	40.80	39.60	38.40
Zone 5	PQD15	45.60	44.10	40.80	39.60	38.40
Michigan						
Zone 1	PQD11	45.60	44.10	40.80	39.60	38.40
Zone 2	PQD12	45.60	44.10	40.80	39.60	38.40
Zone 3	PQD13	45.60	44.10	40.80	39.60	38.40
Zone 4	PQD14	45.60	44.10	40.80	39.60	38.40
Zone 5	PQD15	45.60	44.10	40.80	39.60	38.40
Ohio						
Zone 1	PQD11	45.60	44.10	40.80	39.60	38.40
Zone 2	PQD12	45.60	44.10	40.80	39.60	38.40
Zone 3	PQD13	45.60	44.10	40.80	39.60	38.40
Zone 4	PQD14	45.60	44.10	40.80	39.60	38.40
Zone 5	PQD15	45.60	44.10	40.80	39.60	38.40
Wisconsin						
Zone 1	PQD11	45.60	44.10	40.80	39.60	38.40
Zone 2	PQD12	45.60	44.10	40.80	39.60	38.40
Zone 3	PQD13	45.60	44.10	40.80	39.60	38.40
Zone 4	PQD14	45.60	44.10	40.80	39.60	38.40
Zone 5	PQD15	45.60	44.10	40.80	39.60	38.40

This page filed under Transmittal No. 1357)

Issued: October 6, 2003

Effective: October 21, 2003

## ACCESS SERVICE

## 7. Special Access Service (Cont'd)

## 7.5 Rates and Charges (Cont'd)

## 7.5.16 Optional Payment Plan Vintage Rates (Cont'd)

18. The following rates apply to DS3 Services installed between July 2, 2002 and June 30, 2003.

(T)

Local Distribution Channel -Per point of Termination -w/Electrical Interface	USOC	12 Mo.	24 Mo.	36 Mo.	48 Mo.	60 Mo.
Illinois						
Zone 1	TZUP1	2,300.00	2,300.00	1,150.00	1,150.00	900.00
Zone 2	TZUP2	2,325.00	2,325.00	1,160.00	1,160.00	910.00
Zone 3	TZUP3	2,425.00	2,425.00	1,220.00	1,220.00	960.00
Zone 4	TZUP4	2,600.00	2,600.00	1,250.00	1,250.00	980.00
Zone 5	TZUP5	2,625.00	2,625.00	1,260.00	1,260.00	990.00
Indiana						
Zone 1	TZUP1	2,370.00	2,370.00	1,190.00	1,190.00	920.00
Zone 2	TZUP2	2,395.00	2,395.00	1,200.00	1,200.00	930.00
Zone 3	TZUP3	2,495.00	2,495.00	1,270.00	1,270.00	980.00
Zone 4	TZUP4	2,670.00	2,670.00	1,290.00	1,290.00	1,000.00
Zone 5	TZUP5	2,695.00	2,695.00	1,300.00	1,300.00	1,010.00
Michigan						
Zone 1	TZUP1	2,350.00	2,350.00	1,180.00	1,180.00	910.00
Zone 2	TZUP2	2,375.00	2,375.00	1,190.00	1,190.00	920.00
Zone 3	TZUP3	2,475.00	2,475.00	1,250.00	1,250.00	970.00
Zone 4	TZUP4	2,650.00	2,650.00	1,280.00	1,280.00	990.00
Zone 5	TZUP5	2,675.00	2,675.00	1,290.00	1,290.00	1,000.00
Ohio						
Zone 1	TZUP1	2,350.00	2,350.00	1,180.00	1,180.00	910.00
Zone 2	TZUP2	2,375.00	2,375.00	1,190.00	1,190.00	920.00
Zone 3	TZUP3	2,475.00	2,475.00	1,250.00	1,250.00	970.00
Zone 4	TZUP4	2,650.00	2,650.00	1,280.00	1,280.00	990.00
Zone 5	TZUP5	2,675.00	2,675.00	1,290.00	1,290.00	1,000.00
Wisconsin						
Zone 1	TZUP1	2,370.00	2,370.00	1,190.00	1,190.00	920.00
Zone 2	TZUP2	2,395.00	2,395.00	1,200.00	1,200.00	930.00
Zone 3	TZUP3	2,495.00	2,495.00	1,270.00	1,270.00	980.00
Zone 4	TZUP4	2,670.00	2,670.00	1,290.00	1,290.00	1,000.00
Zone 5	TZUP5	2,695.00	2,695.00	1,300.00	1,300.00	1,010.00

This page filed under Transmittal No. 1357)

Issued: October 6, 2003

Effective: October 21, 2003

## ACCESS SERVICE

## 7. Special Access Service (Cont'd)

## 7.5 Rates and Charges (Cont'd)

## 7.5.16 Optional Payment Plan Vintage Rates (Cont'd)

18. The following rates apply to DS3 Services installed between July 2, 2002 and June 30, 2003. (Cont'd)

(T)

Channel Mileage Termination -Per point of Termination	USOC	24 Mo.	36 Mo.	48 Mo.	60 Mo.
Illinois					
Zone 1	CZ4X1	300.00			
Zone 2	CZ4X2	315.00			
Zone 3	CZ4X3	330.00			
Zone 4	CZ4X4	345.00	290.00	290.00	240.00
Zone 5	CZ4X5	360.00	300.00	300.00	250.00
Indiana					
Zone 1	CZ4X1	320.00			
Zone 2	CZ4X2	335.00			
Zone 3	CZ4X3	350.00			
Zone 4	CZ4X4	365.00	310.00	310.00	260.00
Zone 5	CZ4X5	380.00	320.00	320.00	270.00
Michigan					
Zone 1	CZ4X1	310.00			
Zone 2	CZ4X2	325.00			
Zone 3	CZ4X3	340.00			
Zone 4	CZ4X4	355.00	300.00	300.00	250.00
Zone 5	CZ4X5	370.00	310.00	310.00	260.00
Ohio					
Zone 1	CZ4X1	310.00			
Zone 2	CZ4X2	325.00			
Zone 3	CZ4X3	340.00			
Zone 4	CZ4X4	355.00	300.00	300.00	250.00
Zone 5	CZ4X5	370.00	310.00	310.00	260.00
Wisconsin					
Zone 1	CZ4X1	320.00			
Zone 2	CZ4X2	335.00			
Zone 3	CZ4X3	350.00			
Zone 4	CZ4X4	365.00	310.00	310.00	260.00
Zone 5	CZ4X5	380.00	320.00	320.00	270.00

This page filed under Transmittal No. 1357)

Issued: October 6, 2003

Effective: October 21, 2003

## ACCESS SERVICE

## 7. Special Access Service (Cont'd)

## 7.5 Rates and Charges (Cont'd)

## 7.5.16 Optional Payment Plan Vintage Rates (Cont'd)

18. The following rates apply to DS3 Services installed between July 2, 2002 and June 30, 2003. (Cont'd)

(T)

Channel Mileage -Per Mile	USOC	24 Mo.	36 Mo.	48 Mo.	60 Mo.
Illinois					
Zone 1	1YZX1	100.00			
Zone 2	1YZX2	105.00			
Zone 3	1YZX3	110.00			34.00
Zone 4	1YZX4	115.00	65.00	65.00	38.00
Zone 5	1YZX5	120.00	70.00	70.00	42.00
Indiana					
Zone 1	1YZX1	104.00			
Zone 2	1YZX2	109.00			
Zone 3	1YZX3	115.00			36.00
Zone 4	1YZX4	119.00	67.00	67.00	40.00
Zone 5	1YZX5	125.00	72.00	72.00	44.00
Michigan					
Zone 1	1YZX1	102.00			
Zone 2	1YZX2	107.00			
Zone 3	1YZX3	113.00			35.00
Zone 4	1YZX4	117.00	66.00	66.00	39.00
Zone 5	1YZX5	123.00	71.00	71.00	43.00
Ohio					
Zone 1	1YZX1	102.00			
Zone 2	1YZX2	107.00			
Zone 3	1YZX3	113.00			35.00
Zone 4	1YZX4	117.00	66.00	66.00	39.00
Zone 5	1YZX5	123.00	71.00	71.00	43.00
Wisconsin					
Zone 1	1YZX1	104.00			
Zone 2	1YZX2	109.00			
Zone 3	1YZX3	115.00			36.00
Zone 4	1YZX4	119.00	67.00	67.00	40.00
Zone 5	1YZX5	125.00	72.00	72.00	44.00

This page filed under Transmittal No. 1357)

Issued: October 6, 2003

Effective: October 21, 2003

## ACCESS SERVICE

## 7. Special Access Service (Cont'd)

## 7.5 Rates and Charges (Cont'd)

## 7.5.16 Optional Payment Plan Vintage Rates (Cont'd)

18. The following rates apply to DS3 Services installed between July 2, 2002 and June 30, 2003. (Cont'd)

(T)

Interconnection	USOC	12 Mo.	24 Mo.	60 Mo.
Central Office Multiplexing -DS3 to DS1				
Illinois				
Zone 1	QM3X1	575.00	575.00	
Zone 2	QM3X2	605.00	605.00	
Zone 3	QM3X3	615.00	615.00	
Zone 4	QM3X4	640.00	640.00	
Zone 5	QM3X5	650.00	650.00	500.00
Indiana				
Zone 1	QM3X1	595.00	595.00	
Zone 2	QM3X2	620.00	620.00	
Zone 3	QM3X3	630.00	630.00	
Zone 4	QM3X4	655.00	655.00	
Zone 5	QM3X5	670.00	670.00	515.00
Michigan				
Zone 1	QM3X1	590.00	590.00	
Zone 2	QM3X2	615.00	615.00	
Zone 3	QM3X3	625.00	625.00	
Zone 4	QM3X4	650.00	650.00	
Zone 5	QM3X5	665.00	665.00	510.00
Ohio				
Zone 1	QM3X1	590.00	590.00	
Zone 2	QM3X2	615.00	615.00	
Zone 3	QM3X3	625.00	625.00	
Zone 4	QM3X4	650.00	650.00	
Zone 5	QM3X5	665.00	665.00	510.00
Wisconsin				
Zone 1	QM3X1	595.00	595.00	
Zone 2	QM3X2	620.00	620.00	
Zone 3	QM3X3	630.00	630.00	
Zone 4	QM3X4	655.00	655.00	
Zone 5	QM3X5	670.00	670.00	515.00

This page filed under Transmittal No. 1357)

Issued: October 6, 2003

Effective: October 21, 2003

One SBC Plaza, Dallas, Texas 75202

## ACCESS SERVICE

## 7. Special Access Service (Cont'd)

## 7.5 Rates and Charges (Cont'd)

## 7.5.16 Optional Payment Plan Vintage Rates (Cont'd)

18. The following rates apply to DS3 Services installed between November 18, 2000 and June 30, 2003. (Cont'd)

(T)

ANRS System Location Port Termination	USOC	12 Mo.	36 Mo.	48 Mo.	60 Mo.
Illinois					
Zone 1	R6SX1	191.00	149.00	149.00	140.00
Zone 2	R6SX2	191.00	149.00	149.00	140.00
Zone 3	R6SX3	191.00	149.00	149.00	140.00
Zone 4	R6SX4	191.00	149.00	149.00	140.00
Zone 5	R6SX5	191.00	149.00	149.00	140.00
Indiana					
Zone 1	R6SX1	191.00	149.00	149.00	140.00
Zone 2	R6SX2	191.00	149.00	149.00	140.00
Zone 3	R6SX3	191.00	149.00	149.00	140.00
Zone 4	R6SX4	191.00	149.00	149.00	140.00
Zone 5	R6SX5	191.00	149.00	149.00	140.00
Michigan					
Zone 1	R6SX1	191.00	149.00	149.00	140.00
Zone 2	R6SX2	191.00	149.00	149.00	140.00
Zone 3	R6SX3	191.00	149.00	149.00	140.00
Zone 4	R6SX4	191.00	149.00	149.00	140.00
Zone 5	R6SX5	191.00	149.00	149.00	140.00
Ohio					
Zone 1	R6SX1	191.00	149.00	149.00	140.00
Zone 2	R6SX2	191.00	149.00	149.00	140.00
Zone 3	R6SX3	191.00	149.00	149.00	140.00
Zone 4	R6SX4	191.00	149.00	149.00	140.00
Zone 5	R6SX5	191.00	149.00	149.00	140.00
Wisconsin					
Zone 1	R6SX1	191.00	149.00	149.00	140.00
Zone 2	R6SX2	191.00	149.00	149.00	140.00
Zone 3	R6SX3	191.00	149.00	149.00	140.00
Zone 4	R6SX4	191.00	149.00	149.00	140.00
Zone 5	R6SX5	191.00	149.00	149.00	140.00

This page filed under Transmittal No. 1357)

Issued: October 6, 2003

Effective: October 21, 2003

ACCESS SERVICE

7. Special Access Service (Cont'd)

7.5 Rates and Charges (Cont'd)

7.5.16 Optional Payment Plan Vintage Rates (Cont'd)

18.<sup>(1)</sup>

(D)

<sup>(1)</sup> Material in this Section has been de-tariffed as required by the Commission upon use of the forbearance relief pursuant to FCC Memorandum Opinion and Order No. 07-180, released October 12, 2007. Terms and Conditions associated with de-tariffed services are available at [www.att.com/guidebook](http://www.att.com/guidebook).

(This page filed under Transmittal No. 1666)



ACCESS SERVICE

7. Special Access Service (Cont'd)

7.5 Rates and Charges (Cont'd)

7.5.16 Optional Payment Plan Vintage Rates (Cont'd)

18.<sup>(1)</sup>

(D)  
 \_\_\_\_\_  
 (D)

19. The following rates apply to DS1 Services installed between July 1, 2003 through September 30, 2003.

Local Distribution Channel	OPP	DCP
- Per Point of Termination	60 Mo.	60 Mo.
Terminating Bit Rate	110.00	127.00
Channel Mileage		
-Per Mile		
1.544 Mbps	11.60	13.34

20. The following rates apply to Direct Analog Service installed between July 1, 2003 through June 30, 2004.

		Discount Commitment Program	
		36 Mo.	60 Mo.
-Local Distribution Channel	USOC		
-Direct Analog Service			
-Per point of termination			
-Two-Wire			
-All states	T6E2X	17.00	12.00
-Four Wire			
-All states	T6E4X	22.00	20.00

<sup>(1)</sup> Material in this Section has been de-tariffed as required by the Commission upon use of the forbearance relief pursuant to FCC Memorandum Opinion and Order No. 07-180, released October 12, 2007. Terms and Conditions associated with de-tariffed services are available at [www.att.com/guidebook](http://www.att.com/guidebook).

(This page filed under Transmittal No. 1666)

ACCESS SERVICE

7. Special Access Service (Cont'd)

7.5 Rates and Charges (Cont'd)

7.5.16 Optional Payment Plan Vintage Rates (Cont'd)

20. The following rates apply to Direct Analog Service installed between July 1, 2003 through June 30, 2004. (Cont'd)

	USOC	Discount Commitment Program	
		36 Mo.	60 Mo.
-Dedicated Access Line			
-Per point of termination*			
-Two Wire			
-All states	X2W	17.00	14.00
-Four Wire			
-All states	X4W	32.00	29.25

20.<sup>(1)</sup>

(D)

21.<sup>(1)</sup>

(D)

(D)

(D)

<sup>(1)</sup> Material in this Section has been de-tariffed as required by the Commission upon use of the forbearance relief pursuant to FCC Memorandum Opinion and Order No. 07-180, released October 12, 2007. Terms and Conditions associated with de-tariffed services are available at [www.att.com/guidebook](http://www.att.com/guidebook).

(This page filed under Transmittal No. 1666)

ACCESS SERVICE

7. Special Access Service (Cont'd)

7.5 Rates and Charges (Cont'd)

7.5.16 Optional Payment Plan Vintage Rates (Cont'd)

21.<sup>(1)</sup>

(D)

21.<sup>(1)</sup>

(D)

(D)

(D)

<sup>(1)</sup> Material in this Section has been de-tariffed as required by the Commission upon use of the forbearance relief pursuant to FCC Memorandum Opinion and Order No. 07-180, released October 12, 2007. Terms and Conditions associated with de-tariffed services are available at [www.att.com/guidebook](http://www.att.com/guidebook).

(This page filed under Transmittal No. 1666)

## ACCESS SERVICE

## 7. Special Access Service (Cont'd)

## 7.5 Rates and Charges (Cont'd)

## 7.5.16 Optional Payment Plan Vintage Rates (Cont'd)

22. The following rates apply to DS3 Services installed between October 21, 2003 and June 30, 2005.

		Recurring Charges Optional Payment Plan *	
		36 Mo.	48 Mo.
	USOC		
Illinois			
Zone 1	TZUP1	1,050.00	1,050.00
Zone 2	TZUP2	1,060.00	1,060.00
Zone 3	TZUP3	1,120.00	1,120.00
Zone 4	TZUP4	1,150.00	1,150.00
Zone 5	TZUP5	1,160.00	1,160.00
Indiana			
Zone 1	TZUP1	1,090.00	1,090.00
Zone 2	TZUP2	1,100.00	1,100.00
Zone 3	TZUP3	1,170.00	1,170.00
Zone 4	TZUP4	1,190.00	1,190.00
Zone 5	TZUP5	1,200.00	1,200.00
Michigan			
Zone 1	TZUP1	1,080.00	1,080.00
Zone 2	TZUP2	1,090.00	1,090.00
Zone 3	TZUP3	1,150.00	1,150.00
Zone 4	TZUP4	1,180.00	1,180.00
Zone 5	TZUP5	1,190.00	1,190.00
Ohio			
Zone 1	TZUP1	1,080.00	
Zone 2	TZUP2	1,090.00	1,090.00
Zone 3	TZUP3	1,150.00	1,150.00
Zone 4	TZUP4	1,180.00	1,180.00
Zone 5	TZUP5	1,190.00	1,190.00
Wisconsin			
Zone 1	TZUP1	1,090.00	1,090.00
Zone 2	TZUP2	1,100.00	1,100.00
Zone 3	TZUP3	1,170.00	1,170.00
Zone 4	TZUP4	1,190.00	1,190.00
Zone 5	TZUP5	1,200.00	1,200.00

Material now appearing on this page previously appeared on 15th Revised Page 413.2.6.

**Rates contained in this transmittal are subject to subsequent adjustment, effective retrospectively, in the event the Commission or a court subsequently authorizes Ameritech to correct its rates pursuant to pending motions, or petitions for reconsideration or waiver, or in the event of any other adjustment to an order of the Commission or a court.**

(This page filed under Transmittal No. 1481)

(N)

(N)  
(M)

(M)

ACCESS SERVICE

7. Special Access Service (Cont'd)

7.5 Rates and Charges (Cont'd)

7.5.16 Optional Payment Plan Vintage Rates (Cont'd)

23. The following rates apply to DS3 Services installed between February 6, 2004 and June 30, 2005.

Channel Mileage - Per Mile

	USOC	Recurring Charges Optional Payment Plan * 60 Mo.
Illinois		
Zone 1	1YZX1	28.00
Zone 2	1YZX2	30.00
Zone 3	1YZX3	32.00
Zone 4	1YZX4	36.00
Zone 5	1YZX5	38.00
Indiana		
Zone 1	1YZX1	30.00
Zone 2	1YZX2	32.00
Zone 3	1YZX3	34.00
Zone 4	1YZX4	38.00
Zone 5	1YZX5	40.00
Michigan		
Zone 1	1YZX1	29.00
Zone 2	1YZX2	31.00
Zone 3	1YZX3	33.00
Zone 4	1YZX4	37.00
Zone 5	1YZX5	39.00
Ohio		
Zone 1	1YZX1	29.00
Zone 2	1YZX2	31.00
Zone 3	1YZX3	33.00
Zone 4	1YZX4	37.00
Zone 5	1YZX5	39.00
Wisconsin		
Zone 1	1YZX1	30.00
Zone 2	1YZX2	32.00
Zone 3	1YZX3	34.00
Zone 4	1YZX4	38.00
Zone 5	1YZX5	40.00

Material now appearing on this page previously appeared on 20th Revised Page 413.4.

**Rates contained in this transmittal are subject to subsequent adjustment, effective retrospectively, in the event the Commission or a court subsequently authorizes Ameritech to correct its rates pursuant to pending motions, or petitions for reconsideration or waiver, or in the event of any other adjustment to an order of the Commission or a court.**

(This page filed under Transmittal No. 1481)

(N)

(N)  
(M)

(M)

ACCESS SERVICE

7. Special Access Service (Cont'd)

7.5 Rates and Charges (Cont'd)

7.5.16 Optional Payment Plan Vintage Rates (Cont'd)

24. The following rates apply to DS3 Services installed between October 21, 2003 and June 30, 2005.

Optional Features and Functions  
 Interconnection – Central Office Multiplexing – Per Arrangement  
 DS3 to DS1

	USOC	Recurring Charges Optional Payment Plan *	
		12 Mo.	24 Mo.
Illinois			
Zone 1	QM3X1		555.00
Zone 2	QM3X2	595.00	585.00
Zone 3	QM3X3	605.00	
Zone 4	QM3X4	630.00	
Zone 5	QM3X5		630.00
Indiana			
Zone 1	QM3X1		575.00
Zone 2	QM3X2		
Zone 3	QM3X3		610.00
Zone 4	QM3X4		635.00
Zone 5	QM3X5		650.00
Michigan			
Zone 1	QM3X1		570.00
Zone 2	QM3X2		
Zone 3	QM3X3		
Zone 4	QM3X4		630.00
Zone 5	QM3X5	655.00	645.00
Ohio			
Zone 1	QM3X1		570.00
Zone 2	QM3X2		595.00
Zone 3	QM3X3		
Zone 4	QM3X4	640.00	630.00
Zone 5	QM3X5		645.00
Wisconsin			
Zone 1	QM3X1	585.00	575.00
Zone 2	QM3X2	610.00	600.00
Zone 3	QM3X3		610.00
Zone 4	QM3X4	645.00	635.00
Zone 5	QM3X5	660.00	650.00

(N)

(N)  
(M)

(M)

Material now appearing on this page previously appeared on 28th Revised Page 414.

**Rates contained in this transmittal are subject to subsequent adjustment, effective retrospectively, in the event the Commission or a court subsequently authorizes Ameritech to correct its rates pursuant to pending motions, or petitions for reconsideration or waiver, or in the event of any other adjustment to an order of the Commission or a court.**

(This page filed under Transmittal No. 1481)

ACCESS SERVICE

7. Special Access Service (Cont'd)

7.5 Rates and Charges (Cont'd)

7.5.16 Optional Payment Plan Vintage Rates (Cont'd)

25.<sup>(1)</sup>

(D)

(D)

26.<sup>(1)</sup>

(D)

(D)

<sup>(1)</sup> Material in this Section has been de-tariffed as required by the Commission upon use of the forbearance relief pursuant to FCC Memorandum Opinion and Order No. 07-180, released October 12, 2007. Terms and Conditions associated with de-tariffed services are available at [www.att.com/guidebook](http://www.att.com/guidebook).

(This page filed under Transmittal No. 1666)

ACCESS SERVICE

7. Special Access Service (Cont'd)

7.5 Rates and Charges (Cont'd)

7.5.16 Optional Payment Plan Vintage Rates (Cont'd)

26.<sup>(1)</sup>

(D)

<sup>(1)</sup> Material in this Section has been de-tariffed as required by the Commission upon use of the forbearance relief pursuant to FCC Memorandum Opinion and Order No. 07-180, released October 12, 2007. Terms and Conditions associated with de-tariffed services are available at [www.att.com/guidebook](http://www.att.com/guidebook).

(This page filed under Transmittal No. 1666)



ACCESS SERVICE

7. Special Access Service (Cont'd)

7.5 Rates and Charges (Cont'd)

7.5.16 Optional Payment Plan Vintage Rates (Cont'd)

27.<sup>(1)</sup>

(D)

<sup>(1)</sup> Material in this Section has been de-tariffed as required by the Commission upon use of the forbearance relief pursuant to FCC Memorandum Opinion and Order No. 07-180, released October 12, 2007. Terms and Conditions associated with de-tariffed services are available at [www.att.com/guidebook](http://www.att.com/guidebook).

(This page filed under Transmittal No. 1666)

ACCESS SERVICE

7. Special Access Service (Cont'd)

7.5 Rates and Charges (Cont'd)

7.5.16 Optional Payment Plan Vintage Rates (Cont'd)

28.<sup>(1)</sup>

(D)

(D)

29.<sup>(1)</sup>

(D)

(D)

<sup>(1)</sup> Material in this Section has been de-tariffed as required by the Commission upon use of the forbearance relief pursuant to FCC Memorandum Opinion and Order No. 07-180, released October 12, 2007. Terms and Conditions associated with de-tariffed services are available at [www.att.com/guidebook](http://www.att.com/guidebook).

(This page filed under Transmittal No. 1666)

ACCESS SERVICE

7. Special Access Service (Cont'd)

7.5 Rates and Charges (Cont'd)

7.5.16 Optional Payment Plan Vintage Rates (Cont'd)

30.<sup>(1)</sup>

(D)

31.<sup>(1)</sup>

(D)

(D)

(D)

32. The following rates apply to SONET Xpress Service installed between April 9, 2002 and June 30, 2005.

Network Access  
 Connection  
 All States

- Per DS1 Customer	<u>USOC</u>	<u>60 Month</u>
Premises		
Termination	NYA1X	\$105.00

Per OC-12		
Customer		
Premises		
Termination	NYABX	\$27,467.00

<sup>(1)</sup> Material in this Section has been de-tariffed as required by the Commission upon use of the forbearance relief pursuant to FCC Memorandum Opinion and Order No. 07-180, released October 12, 2007. Terms and Conditions associated with de-tariffed services are available at [www.att.com/guidebook](http://www.att.com/guidebook).

(This page filed under Transmittal No. 1666)

ACCESS SERVICE

7. Special Access Service (Cont'd)

7.5 Rates and Charges (Cont'd)

7.5.16 Optional Payment Plan Vintage Rates (Cont'd)

32. The following rates apply to SONET Xpress Service installed between April 9, 2002 and June 30, 2005. (Cont'd)

Off-Network  
 Access  
 Connection  
 All States

- Per DS1 Central Office Connection	<u>USOC</u>	<u>60 Month</u>		
	NYO1X		\$35.00	
- Per DS3 Central Office Connection				
	NYO3X		\$55.00	

DS3 Payload  
 Multiplexing  
 Function  
 All States

- Per DS3/STS-1 to/from DS1/VT 1.5 on the Network	<u>USOC</u>	<u>12Month</u>	<u>24 Month</u>	<u>60 Month</u>
	MPEMX	\$365.00	\$365.00	\$305.00

(N)

(N)

(M)

(M)

Material now appearing on this page previously appeared on 9th Revised Page 418.1.4 and 5th Revised Page 418.1.5.

**Rates contained in this transmittal are subject to subsequent adjustment, effective retrospectively, in the event the Commission or a court subsequently authorizes Ameritech to correct its rates pursuant to pending motions, or petitions for reconsideration or waiver, or in the event of any other adjustment to an order of the Commission or a court.**

(This page filed under Transmittal No. 1481)

ACCESS SERVICE

7. Special Access Service (Cont'd)

7.5 Rates and Charges (Cont'd)

7.5.16 Optional Payment Plan Vintage Rates (Cont'd)

33.<sup>(1)</sup>

(D)

(D)

34.<sup>(1)</sup>

(D)

(D)

<sup>(1)</sup> Material in this Section has been de-tariffed as required by the Commission upon use of the forbearance relief pursuant to FCC Memorandum Opinion and Order No. 07-180, released October 12, 2007. Terms and Conditions associated with de-tariffed services are available at [www.att.com/guidebook](http://www.att.com/guidebook).

(This page filed under Transmittal No. 1666)

ACCESS SERVICE

7. Special Access Service (Cont'd)

7.5 Rates and Charges (Cont'd)

7.5.16 Optional Payment Plan Vintage Rates (Cont'd)

35.<sup>(1)</sup>

(D)

<sup>(1)</sup> Material in this Section has been de-tariffed as required by the Commission upon use of the forbearance relief pursuant to FCC Memorandum Opinion and Order No. 07-180, released October 12, 2007. Terms and Conditions associated with de-tariffed services are available at [www.att.com/guidebook](http://www.att.com/guidebook).

(This page filed under Transmittal No. 1666)

ACCESS SERVICE

7. Special Access Service (Cont'd)

D

D

**ACCESS SERVICE**

**7. Special Access Service (Cont'd)**

D  
D



**ACCESS SERVICE**

**7. Special Access Service (Cont'd)**

D  
D

**ACCESS SERVICE**

**7. Special Access Service (Cont'd)**

D

D

**ACCESS SERVICE**

**7. Special Access Service (Cont'd)**

D

D

**ACCESS SERVICE**

**7. Special Access Service (Cont'd)**

D  
D

ACCESS SERVICE

7. Special Access Service (Cont'd)

7.6 Individual Case Filings (Cont'd)

State of Ohio

D  
D

(TR1082)

Issued: April 17, 1997

Effective: May 2, 1997

Director, Federal Regulatory Planning & Policy, 4G62  
2000 W. Ameritech Center Drive  
Hoffman Estates, Illinois 60196-1025

**ACCESS SERVICE**

**7. Special Access Service (Cont'd)**

D  
D

**ACCESS SERVICE**

**7. Special Access Service (Cont'd)**

D  
D

ACCESS SERVICE

7. Special Access Service (Cont'd)

D  
D



**ACCESS SERVICE**

**7. Special Access Service (Cont'd)**

D  
D

**ACCESS SERVICE**

**7. Special Access Service (Cont'd)**

D  
D

ACCESS SERVICE

7. Special Access Service (Cont'd)

(N)

7.6 Individual Case Filings

(M)

State of Illinois

Customer	Description	USOC	Monthly Rate	Nonrecurring Charge
American Telephone and Telegraph (AT&T)	Provide one Wideband Data 50 Kbps service from the AT&T Canal POP, Chicago, Illinois to Argonne National Laboratories at 9800 Cass Ave., Lamont, Illinois	TWTA4	\$1,183.48	None
American Telephone and Telegraph (AT&T)	Provide five Wideband Data 50 Kbps services from the Illinois/Missouri border to Scott AFB in Illinois, Per circuit	TWTA5	664.00	None

(M)

Material now appearing on this previously appeared on 5th Revised Page 449.32.

**Rates contained in this transmittal are subject to subsequent adjustment, effective retrospectively, in the event the Commission or a court subsequently authorizes Ameritech to correct its rates pursuant to pending motions, or petitions for reconsideration or waiver, or in the event of any other adjustment to an order of the Commission or a court.**

(This page filed under Transmittal No. 1481)

ACCESS SERVICE

7. Special Access Service (Cont'd)

7.6 Individual Case Filings (Cont'd)

State of Illinois

Customer	Description	USOC	Monthly Rate	Nonrecurring Charge
National Guardian	Telemetry and Alarm Bridging Active Bridging - Split Band			
	Split Band Bridging - Per channel connected	CNLRX	\$23.58	None

N  
N

## ACCESS SERVICE

## 7. Special Access Service (Cont'd)

- 7.7 Rate Zone Wire Center Assignment for DS1 and DS3 Services Provided Under Vintage Rates in effect prior to November 18, 2000. (T)

## General

Each Telephone Company wire center has been assigned to a rate zone. Rates zones are applicable to services specified in Section 7.4.1, preceding when Expanded Interconnection has become operational in a study area. This table, which applies only to DS1 and DS3 services provided under Vintage Rates in effect prior to November 18, 2000, as described in Section 7.5.16 preceding, lists by study area wire centers assigned to Rate Zones 1 and 2, all other Telephone Company offices are assigned to Zone 3. (T)

## Zone 1

Illinois	CHCGILCL CHCGILFR CHCGILID CHCGILLR CHCGILSU CHCGILWB EGVGILEG NBRKILNB NPVLILNE OKBRILOA SCBGILRS
Indiana	IPLSIN01
Michigan	DTRTMIBL DTRTMIRV
Ohio	AKRNOH25 CLEVOH62 CLMBOH11 DYTNOH22
Wisconsin	MILWWI13

## Zone 2

Illinois	ARLHILAH BLWDILBW BNSVILBV BNTOILAG CHCGILAU CHCGILBE CHCGILCA CHCGILDO CHCGILED CHCGILHB CHCGILIR
----------	--

This page filed under Transmittal No. 1357)

Issued: October 6, 2003

Effective: October 21, 2003

## ACCESS SERVICE

## 7. Special Access Service (Cont'd)

7.7 Rate Zone Wire Center Assignment for DS1 and DS3 Services Provided Under Vintage Rates (T)  
in effect prior to November 18, 2000. (Cont'd)

## Zone 2

Illinois  
(Cont'd)

CHCGILKE  
 CHCGILKI  
 CHCGILLA  
 CHCGILLD  
 CHCGILLW  
 CHCGILME  
 CHCGILMH  
 CHCGILMO  
 CHCGILNE  
 CHCGILOH  
 CHCGILOK  
 CHCGILPM  
 CHCGILPR  
 CHCGILPU  
 CHCGILRP  
 CHCGILSC  
 CHCGILST  
 CICRILCI  
 DSPLILXL  
 DWGVILDG  
 EMHRILET  
 EVTNILEV  
 GLVWILGV  
 HFESILPC  
 H LSDILHD  
 HNDLILHI  
 LBRDILLM  
 LGRCILLG  
 MRGVILMG  
 OKLWILOL  
 OKPKILOP  
 PRRGILXL  
 RVGVILRG  
 SCBGILCO  
 SCPKILSP  
 SKOKILSK  
 SPFDILES

Michigan

ABHLMIBH  
 BLVLMINE  
 BRHMMIMN  
 DRBRMIDB  
 DRBRMIFB  
 DRBRMIOR  
 DTRTMICL  
 DTRTMIHG

This page filed under Transmittal No. 1357)

Issued: October 6, 2003

Effective: October 21, 2003

## ACCESS SERVICE

## 7. Special Access Service (Cont'd)

7.7 Rate Zone Wire Center Assignment for DS1 and DS3 Services Provided Under Vintage Rates (T)  
in effect prior to November 18, 2000. (Cont'd)

## Zone 2 (Cont'd)

Michigan (Cont'd)	DTRTMILX DTRTMIMD DTRTMIPE DTRTMIPG DTRTMIRF DTRTMITE DTRTMITW DTRTMIUV DTRTMIVT DTRTMIVW FMHLMIFH GDRPMIBL HGPKMITS LNNGMIMN RYLOMIMN SFLDMIMN SFLDMIOK TROYMIMN TROYMISM WBFDMIMN WRRNMITL
Ohio	BCWDOH46 BKPKOH26 BKPKOH97 CLEVOH25 CLEVOH42 CLEVOH43 CLEVOH45 CLEVOH53 CLEVOH63 CLEVOH64 CLEVOH74 CLHGOH32 CLMBOH27 CLMBOH29 DYTNOH25 LKWDOH52 MPHGOH66 SHHGOH92 TOLDOH21 WOTNOH88

This page filed under Transmittal No. 1357)

Issued: October 6, 2003

Effective: October 21, 2003

ACCESS SERVICE

7. Special Access Service (Cont'd)

7.7 Rate Zone Wire Center Assignment for DS1 and DS3 Services Provided Under Vintage Rates (T)  
in effect prior to November 18, 2000. (Cont'd)

Zone 2 (Cont'd)

Wisconsin	MDSNWI11
	MDSNWI15
	MILWWI17
	MILWWI22
	MILWWI23
	MILWWI27
	MILWWI34
	MILWWI38
	MILWWI42
	MILWWI48



ACCESS SERVICE

7. Special Access Service (Cont'd)

D

---

Issued: January 16, 1992

Effective: February 20, 1992

Director, Federal Regulatory Planning & Policy, 4G62  
2000 W. Ameritech Center Drive  
Hoffman Estates, Illinois 60196-1025

ACCESS SERVICE

7. Special Access Service (Cont'd)

D

---

Issued: January 16, 1992

Effective: February 20, 1992

Director, Federal Regulatory Planning & Policy, 4G62  
2000 W. Ameritech Center Drive  
Hoffman Estates, Illinois 60196-1025

ACCESS SERVICE

7. Special Access Service (Cont'd)

D

---

Issued: January 16, 1992

Effective: February 20, 1992

Director, Federal Regulatory Planning & Policy, 4G62  
2000 W. Ameritech Center Drive  
Hoffman Estates, Illinois 60196-1025

ACCESS SERVICE

7. Special Access Service (Cont'd)

D

---

Issued: January 16, 1992

Effective: February 20, 1992

Director, Federal Regulatory Planning & Policy, 4G62  
2000 W. Ameritech Center Drive  
Hoffman Estates, Illinois 60196-1025

ACCESS SERVICE

7. Special Access Service (Cont'd)

D

---

Issued: January 16, 1992

Effective: February 20, 1992

Director, Federal Regulatory Planning & Policy, 4G62  
2000 W. Ameritech Center Drive  
Hoffman Estates, Illinois 60196-1025

ACCESS SERVICE

7. Special Access Service (Cont'd)

D

---

Issued: January 16, 1992

Effective: February 20, 1992

Director, Federal Regulatory Planning & Policy, 4G62  
2000 W. Ameritech Center Drive  
Hoffman Estates, Illinois 60196-1025

ACCESS SERVICE

7. Special Access Service (Cont'd)

D

---

Issued: January 16, 1992

Effective: February 20, 1992

Director, Federal Regulatory Planning & Policy, 4G62  
2000 W. Ameritech Center Drive  
Hoffman Estates, Illinois 60196-1025

ACCESS SERVICE

7. Special Access Service (Cont'd)

D

---

Issued: January 16, 1992

Effective: February 20, 1992

Director, Federal Regulatory Planning & Policy, 4G62  
2000 W. Ameritech Center Drive  
Hoffman Estates, Illinois 60196-1025



ACCESS SERVICE

7. Special Access Service (Cont'd)

D

---

Issued: January 16, 1992

Effective: February 20, 1992

Director, Federal Regulatory Planning & Policy, 4G62  
2000 W. Ameritech Center Drive  
Hoffman Estates, Illinois 60196-1025

ACCESS SERVICE

7. Special Access Service (Cont'd)

D

---

Issued: January 16, 1992

Effective: February 20, 1992

Director, Federal Regulatory Planning & Policy, 4G62  
2000 W. Ameritech Center Drive  
Hoffman Estates, Illinois 60196-1025

ACCESS SERVICE

7. Special Access Service (Cont'd)

D

---

Issued: January 16, 1992

Effective: February 20, 1992

Director, Federal Regulatory Planning & Policy, 4G62  
2000 W. Ameritech Center Drive  
Hoffman Estates, Illinois 60196-1025

ACCESS SERVICE

7. Special Access Service (Cont'd)

D

---

Issued: January 16, 1992

Effective: February 20, 1992

Director, Federal Regulatory Planning & Policy, 4G62  
2000 W. Ameritech Center Drive  
Hoffman Estates, Illinois 60196-1025

ACCESS SERVICE

7. Special Access Service (Cont'd)

D

---

Issued: January 16, 1992

Effective: February 20, 1992

Director, Federal Regulatory Planning & Policy, 4G62  
2000 W. Ameritech Center Drive  
Hoffman Estates, Illinois 60196-1025

ACCESS SERVICE

7. Special Access Service (Cont'd)

D

---

Issued: January 16, 1992

Effective: February 20, 1992

Director, Federal Regulatory Planning & Policy, 4G62  
2000 W. Ameritech Center Drive  
Hoffman Estates, Illinois 60196-1025

ACCESS SERVICE

7. Special Access Service (Cont'd)

D

---

Issued: January 16, 1992

Effective: February 20, 1992

Director, Federal Regulatory Planning & Policy, 4G62  
2000 W. Ameritech Center Drive  
Hoffman Estates, Illinois 60196-1025

ACCESS SERVICE

7. Special Access Service (Cont'd)

D

---

Issued: January 16, 1992

Effective: February 20, 1992

Director, Federal Regulatory Planning & Policy, 4G62  
2000 W. Ameritech Center Drive  
Hoffman Estates, Illinois 60196-1025



ACCESS SERVICE

7. Special Access Service (Cont'd)

D

---

Issued: January 16, 1992

Effective: February 20, 1992

Director, Federal Regulatory Planning & Policy, 4G62  
2000 W. Ameritech Center Drive  
Hoffman Estates, Illinois 60196-1025

ACCESS SERVICE

7. Special Access Service (Cont'd)

D  
-----  
D

Hoffman Estates, Illinois 60196-1025

ACCESS SERVICE

7. Special Access Service (Cont'd)

D

D

Hoffman Estates, Illinois 60196-1025

ACCESS SERVICE

7. Special Access Service (Cont'd)

D  
D

Hoffman Estates, Illinois 60196-1025

ACCESS SERVICE

7. Special Access Service (Cont'd)

D

D



Hoffman Estates, Illinois 60196-1025

ACCESS SERVICE

7. Special Access Service (Cont'd)

D  
D

Hoffman Estates, Illinois 60196-1025

ACCESS SERVICE

7. Special Access Service (Cont'd)

D

D

Hoffman Estates, Illinois 60196-1025

ACCESS SERVICE

7. Special Access Service (Cont'd)

D  
D

Hoffman Estates, Illinois 60196-1025

ACCESS SERVICE

7. Special Access Service (Cont'd)

D

D



Hoffman Estates, Illinois 60196-1025

ACCESS SERVICE

7. Special Access Service (Cont'd)

D

D

Hoffman Estates, Illinois 60196-1025

ACCESS SERVICE

7. Special Access Service (Cont'd)

D

D

Hoffman Estates, Illinois 60196-1025

ACCESS SERVICE

7. Special Access Service (Cont'd)

D

D

Hoffman Estates, Illinois 60196-1025

**Rejected by the Federal Communications Commission**

**ACCESS SERVICE**

**7. Special Access Service (Cont'd)**

x Issued on not less than one day's notice under authority of Special Permission No. 90-3 of the Federal Communications Commission

---

**Issued: January 4, 1990**

**Effective: January 5, 1990**

**Director, Federal Regulatory Planning & Policy, 4G62  
2000 W. Ameritech Center Drive  
Hoffman Estates, Illinois 60196-1025**



**Rejected by the Federal Communications Commission**

**ACCESS SERVICE**

**7. Special Access Service (Cont'd)**

x Issued on not less than one day's notice under authority of Special Permission No. 90-3 of the Federal Communications Commission

---

**Issued: January 4, 1990**

**Effective: January 5, 1990**

**Director, Federal Regulatory Planning & Policy, 4G62  
2000 W. Ameritech Center Drive  
Hoffman Estates, Illinois 60196-1025**

**ACCESS SERVICE**

**7. Special Access Service (Cont'd)**

x Issued on not less than one day's notice under authority of Special Permission No. 90-3 of the Federal Communications Commission

---

**Issued: January 4, 1990**

**Effective: January 5, 1990**

**Director, Federal Regulatory Planning & Policy, 4G62  
2000 W. Ameritech Center Drive  
Hoffman Estates, Illinois 60196-1025**

**ACCESS SERVICE**

**7. Special Access Service (Cont'd)**

x Issued on not less than one day's notice under authority of Special Permission No. 90-3 of the Federal Communications Commission

---

**Issued: January 4, 1990**

**Effective: January 5, 1990**

**Director, Federal Regulatory Planning & Policy, 4G62  
2000 W. Ameritech Center Drive  
Hoffman Estates, Illinois 60196-1025**

**ACCESS SERVICE**

**7. Special Access Service (Cont'd)**

x Issued on not less than one day's notice under authority of Special Permission No. 90-3 of the Federal Communications Commission

---

**Issued: January 4, 1990**

**Effective: January 5, 1990**

**Director, Federal Regulatory Planning & Policy, 4G62  
2000 W. Ameritech Center Drive  
Hoffman Estates, Illinois 60196-1025**

**ACCESS SERVICE**

**7. Special Access Service (Cont'd)**

x Issued on not less than one day's notice under authority of Special Permission No. 90-3 of the Federal Communications Commission

---

**Issued: January 4, 1990**

**Effective: January 5, 1990**

**Director, Federal Regulatory Planning & Policy, 4G62  
2000 W. Ameritech Center Drive  
Hoffman Estates, Illinois 60196-1025**

**Rejected by the Federal Communications Commission**

**ACCESS SERVICE**

**7. Special Access Service (Cont'd)**

x Issued on not less than one day's notice under authority of Special Permission No. 90-3 of the Federal Communications Commission

---

**Issued: January 4, 1990**

**Effective: January 5, 1990**

**Director, Federal Regulatory Planning & Policy, 4G62  
2000 W. Ameritech Center Drive  
Hoffman Estates, Illinois 60196-1025**

Rejected by the Federal Communications Commission

**ACCESS SERVICE**

**7. Special Access Service (Cont'd)**

x Issued on not less than one day's notice under authority of Special Permission No. 90-3 of the Federal Communications Commission

---

**Issued: January 4, 1990**

**Effective: January 5, 1990**

**Director, Federal Regulatory Planning & Policy, 4G62  
2000 W. Ameritech Center Drive  
Hoffman Estates, Illinois 60196-1025**

**ACCESS SERVICE**

**7. Special Access Service (Cont'd)**

x Issued on not less than one day's notice under authority of Special Permission No. 90-3 of the Federal Communications Commission

---

**Issued: January 4, 1990**

**Effective: January 5, 1990**

**Director, Federal Regulatory Planning & Policy, 4G62  
2000 W. Ameritech Center Drive  
Hoffman Estates, Illinois 60196-1025**



**Rejected by the Federal Communications Commission**

**ACCESS SERVICE**

**7. Special Access Service (Cont'd)**

x Issued on not less than one day's notice under authority of Special Permission No. 90-3 of the Federal Communications Commission

---

**Issued: January 4, 1990**

**Effective: January 5, 1990**

**Director, Federal Regulatory Planning & Policy, 4G62  
2000 W. Ameritech Center Drive  
Hoffman Estates, Illinois 60196-1025**

ACCESS SERVICE

7. Special Access Service (Cont'd)

D

ACCESS SERVICE

7. Special Access Service (Cont'd)

D

ACCESS SERVICE

7. Special Access Service (Cont'd)

D

ACCESS SERVICE

7. Special Access Service (Cont'd)

D

ACCESS SERVICE

7. Special Access Service (Cont'd)

D

ACCESS SERVICE

7. Special Access Service (Cont'd)

D

ACCESS SERVICE

7. Special Access Service (Cont'd)

D



Hoffman Estates, Illinois 60196-1025

ACCESS SERVICE

7. Special Access Service (Cont'd)

D

Hoffman Estates, Illinois 60196-1025

ACCESS SERVICE

7. Special Access Service (Cont'd)

D

Hoffman Estates, Illinois 60196-1025

ACCESS SERVICE

7. Special Access Service (Cont'd)

D

Hoffman Estates, Illinois 60196-1025

ACCESS SERVICE

7. Special Access Service (Cont'd)

D



Hoffman Estates, Illinois 60196-1025

ACCESS SERVICE

7. Special Access Service (Cont'd)

D

Hoffman Estates, Illinois 60196-1025

ACCESS SERVICE

7. Special Access Service (Cont'd)

D

Hoffman Estates, Illinois 60196-1025

ACCESS SERVICE

7. Special Access Service (Cont'd)

D

Hoffman Estates, Illinois 60196-1025

ACCESS SERVICE

7. Special Access Service (Cont'd)

D



Hoffman Estates, Illinois 60196-1025

ACCESS SERVICE

7. Special Access Service (Cont'd)

D

Hoffman Estates, Illinois 60196-1025

ACCESS SERVICE

7. Special Access Service (Cont'd)

D

Hoffman Estates, Illinois 60196-1025

ACCESS SERVICE

7. Special Access Service (Cont'd)

D

Hoffman Estates, Illinois 60196-1025

ACCESS SERVICE

7. Special Access Service (Cont'd)

D



Hoffman Estates, Illinois 60196-1025

ACCESS SERVICE

7. Special Access Service (Cont'd)

D

Hoffman Estates, Illinois 60196-1025

ACCESS SERVICE

7. Special Access Service (Cont'd)

D

Hoffman Estates, Illinois 60196-1025

ACCESS SERVICE

7. Special Access Service (Cont'd)

D

Hoffman Estates, Illinois 60196-1025

ACCESS SERVICE

7. Special Access Service (Cont'd)

D



Hoffman Estates, Illinois 60196-1025

ACCESS SERVICE

7. Special Access Service (Cont'd)

D

Hoffman Estates, Illinois 60196-1025

ACCESS SERVICE

7. Special Access Service (Cont'd)

D

Hoffman Estates, Illinois 60196-1025

ACCESS SERVICE

7. Special Access Service (Cont'd)

D

Hoffman Estates, Illinois 60196-1025

ACCESS SERVICE

7. Special Access Service (Cont'd)

D



Hoffman Estates, Illinois 60196-1025

ACCESS SERVICE

7. Special Access Service (Cont'd)

D

Hoffman Estates, Illinois 60196-1025

ACCESS SERVICE

7. Special Access Service (Cont'd)

D

Hoffman Estates, Illinois 60196-1025

ACCESS SERVICE

7. Special Access Service (Cont'd)

D

Hoffman Estates, Illinois 60196-1025

ACCESS SERVICE

7. Special Access Service (Cont'd)

D

---

Issued: January 16, 1992

Effective: February 20, 1992

TR596

Director, Federal Regulatory Planning & Policy, 4G62  
2000 W. Ameritech Center Drive  
Hoffman Estates, Illinois 60196-1025



ACCESS SERVICE

7. Special Access Service (Cont'd)

D

ACCESS SERVICE

7. Special Access Service (Cont'd)

D

ACCESS SERVICE

7. Special Access Service (Cont'd)

D

ACCESS SERVICE

7. Special Access Service (Cont'd)

D

ACCESS SERVICE

7. Special Access Service (Cont'd)

D

ACCESS SERVICE

7. Special Access Service (Cont'd)

D

ACCESS SERVICE

7. Special Access Service (Cont'd)

D

ACCESS SERVICE

7. Special Access Service (Cont'd)

D



ACCESS SERVICE

7. Special Access Service (Cont'd)

D

ACCESS SERVICE

7. Special Access Service (Cont'd)

D

ACCESS SERVICE

7. Special Access Service (Cont'd)

D

ACCESS SERVICE

7. Special Access Service (Cont'd)

D

ACCESS SERVICE

7. Special Access Service (Cont'd)

D

ACCESS SERVICE

7. Special Access Service (Cont'd)

D

ACCESS SERVICE

7. Special Access Service (Cont'd)

D

ACCESS SERVICE

7. Special Access Service (Cont'd)

D



ACCESS SERVICE

7. Special Access Service (Cont'd)

D

ACCESS SERVICE

7. Special Access Service (Cont'd)

D

ACCESS SERVICE

7. Special Access Service (Cont'd)

D

ACCESS SERVICE

7. Special Access Service (Cont'd)

D

ACCESS SERVICE

7. Special Access Service (Cont'd)

D

ACCESS SERVICE

7. Special Access Service (Cont'd)

D

ACCESS SERVICE

7. Special Access Service (Cont'd)

D

ACCESS SERVICE

7. Special Access Service (Cont'd)

D



ACCESS SERVICE

7. Special Access Service (Cont'd)

D

ACCESS SERVICE

7. Special Access Service (Cont'd)

D

ACCESS SERVICE

7. Special Access Service (Cont'd)

D

x Issued on not less than one day's notice under authority of Special Permission No. 90-3 of the Federal Communications Commission.

---

Issued: January 4, 1990

Effective: January 5, 1990

Director, Federal Regulatory Planning & Policy, 4G62  
2000 W. Ameritech Center Drive  
Hoffman Estates, Illinois 60196-1025

Rejected by the Federal Communications Commission

ACCESS SERVICE

7. Special Access Service (Cont'd)

D

x Issued on not less than one day's notice under authority of Special Permission No. 90-3 of the Federal Communications Commission.

---

Issued: January 4, 1990

Effective: January 5, 1990

Director, Federal Regulatory Planning & Policy, 4G62  
2000 W. Ameritech Center Drive  
Hoffman Estates, Illinois 60196-1025

ACCESS SERVICE

7. Special Access Service (Cont'd)

D  
D

Hoffman Estates, Illinois 60196-1025

ACCESS SERVICE

7. Special Access Service (Cont'd)

D

D

Hoffman Estates, Illinois 60196-1025



ACCESS SERVICE

7. Special Access Service (Cont'd)

D  
D

Hoffman Estates, Illinois 60196-1025

ACCESS SERVICE

7. Special Access Service (Cont'd)

D

D

Hoffman Estates, Illinois 60196-1025

ACCESS SERVICE

7. Special Access Service (Cont'd)

D

D

Hoffman Estates, Illinois 60196-1025

ACCESS SERVICE

7. Special Access Service (Cont'd)

D

D

Hoffman Estates, Illinois 60196-1025



ACCESS SERVICE

7. Special Access Service (Cont'd)

D

D

Hoffman Estates, Illinois 60196-1025

ACCESS SERVICE

7. Special Access Service (Cont'd)

D

D

Hoffman Estates, Illinois 60196-1025

ACCESS SERVICE

7. Special Access Service (Cont'd)

D

D

Hoffman Estates, Illinois 60196-1025

ACCESS SERVICE

7. Special Access Service (Cont'd)

D  
D

Hoffman Estates, Illinois 60196-1025



ACCESS SERVICE

7. Special Access Service (Cont'd)

D

D

Hoffman Estates, Illinois 60196-1025

ACCESS SERVICE

7. Special Access Service (Cont'd)

D

D

Hoffman Estates, Illinois 60196-1025

ACCESS SERVICE

7. Special Access Service (Cont'd)

D

D

Hoffman Estates, Illinois 60196-1025

ACCESS SERVICE

7. Special Access Service (Cont'd)

D  
D

Hoffman Estates, Illinois 60196-1025



ACCESS SERVICE

7. Special Access Service (Cont'd)

D

D

Hoffman Estates, Illinois 60196-1025

ACCESS SERVICE

7. Special Access Service (Cont'd)

D  
D

Hoffman Estates, Illinois 60196-1025

ACCESS SERVICE

7. Special Access Service (Cont'd)

D

D

Hoffman Estates, Illinois 60196-1025

ACCESS SERVICE

7. Special Access Service (Cont'd)

D

D

Hoffman Estates, Illinois 60196-1025



ACCESS SERVICE

7. Special Access Service (Cont'd)

D  
D

Hoffman Estates, Illinois 60196-1025

ACCESS SERVICE

7. Special Access Service (Cont'd)

D

D

Hoffman Estates, Illinois 60196-1025

ACCESS SERVICE

7. Special Access Service (Cont'd)

D

D

Hoffman Estates, Illinois 60196-1025

ACCESS SERVICE

7. Special Access Service (Cont'd)

D  
D

ACCESS SERVICE

7. Special Access Service (Cont'd)

D

D



Hoffman Estates, Illinois 60196-1025

ACCESS SERVICE

7. Special Access Service (Cont'd)

D

D

ACCESS SERVICE

7. Special Access Service (Cont'd)

D

D

ACCESS SERVICE

7. Special Access Service (Cont'd)

D

D

ACCESS SERVICE

7. Special Access Service (Cont'd)

D

D

ACCESS SERVICE

7. Special Access Service (Cont'd)

D

D

ACCESS SERVICE

7. Special Access Service (Cont'd)

D

D

ACCESS SERVICE

7. Special Access Service (Cont'd)

D

D



ACCESS SERVICE

7. Special Access Service (Cont'd)

D  
D

ACCESS SERVICE

7. Special Access Service (Cont'd)

D

D

ACCESS SERVICE

7. Special Access Service (Cont'd)

D

D

ACCESS SERVICE

7. Special Access Service (Cont'd)

D

D

ACCESS SERVICE

7. Special Access Service (Cont'd)

D

D

ACCESS SERVICE

7. Special Access Service (Cont'd)

D

D

ACCESS SERVICE

7. Special Access Service (Cont'd)

D

D

ACCESS SERVICE

7. Special Access Service (Cont'd)

D

D



ACCESS SERVICE

7. Special Access Service (Cont'd)

D

D

ACCESS SERVICE

7. Special Access Service (Cont'd)

D  
D

x Issued on not less than one day's notice under authority of Special Permsision No. 90-3 of the Federal Communications Commission

---

Issued: January 4, 1990

Effective: January 5, 1990

Director, Federal Regulatory Planning & Policy, 4G62  
2000 W. Ameritech Center Drive  
Hoffman Estates, Illinois 60196-1025

**ACCESS SERVICE**

**7. Special Access Service (Cont'd)**

D

D

x Issued on not less than one day's notice under authority of Special Permission No. 90-3 of the Federal Communications Commission

---

**Issued: January 4, 1990**

**Effective: January 5, 1990**

---

**Director, Federal Regulatory Planning & Policy, 4G62  
2000 W. Ameritech Center Drive  
Hoffman Estates, Illinois 60196-1025**

ACCESS SERVICE

7. Special Access Service (Cont'd)

D

D

x Issued on not less than one day's notice under authority of Special Permission No. 90-3 of the Federal Communications Commission

---

Issued: January 4, 1990

Effective: January 5, 1990

Director, Federal Regulatory Planning & Policy, 4G62  
2000 W. Ameritech Center Drive  
Hoffman Estates, Illinois 60196-1025

ACCESS SERVICE

7. Special Access Service (Cont'd)

D

D

Hoffman Estates, Illinois 60196-1025

ACCESS SERVICE

7. Special Access Service (Cont'd)

D

D

Hoffman Estates, Illinois 60196-1025



ACCESS SERVICE

7. Special Access Service (Cont'd)

D

D

Hoffman Estates, Illinois 60196-1025

ACCESS SERVICE

7. Special Access Service (Cont'd)

D

D

Hoffman Estates, Illinois 60196-1025

ACCESS SERVICE

7. Special Access Service (Cont'd)

D

D

Hoffman Estates, Illinois 60196-1025

ACCESS SERVICE

7. Special Access Service (Cont'd)

D

D

Hoffman Estates, Illinois 60196-1025



ACCESS SERVICE

7. Special Access Service (Cont'd)

D  
D

Hoffman Estates, Illinois 60196-1025

ACCESS SERVICE

7. Special Access Service (Cont'd)

D  
D

Hoffman Estates, Illinois 60196-1025

ACCESS SERVICE

7. Special Access Service (Cont'd)

D  
D

Hoffman Estates, Illinois 60196-1025

ACCESS SERVICE

7. Special Access Service (Cont'd)

D

D

Hoffman Estates, Illinois 60196-1025



ACCESS SERVICE

7. Special Access Service (Cont'd)

D

D

Hoffman Estates, Illinois 60196-1025

ACCESS SERVICE

7. Special Access Service (Cont'd)

D  
D

Hoffman Estates, Illinois 60196-1025

ACCESS SERVICE

7. Special Access Service (Cont'd)

D  
D

Hoffman Estates, Illinois 60196-1025

ACCESS SERVICE

7. Special Access Service (Cont'd)

D

D

ACCESS SERVICE

7. Special Access Service (Cont'd)

D

D



Hoffman Estates, Illinois 60196-1025

ACCESS SERVICE

7. Special Access Service (Cont'd)

D  
D

Hoffman Estates, Illinois 60196-1025

ACCESS SERVICE

7. Special Access Service (Cont'd)

D

D

Hoffman Estates, Illinois 60196-1025

ACCESS SERVICE

7. Special Access Service (Cont'd)

D

D

Hoffman Estates, Illinois 60196-1025

ACCESS SERVICE

7. Special Access Service (Cont'd)

D

D



Hoffman Estates, Illinois 60196-1025

ACCESS SERVICE

7. Special Access Service (Cont'd)

D  
D

Hoffman Estates, Illinois 60196-1025

ACCESS SERVICE

7. Special Access Service (Cont'd)

D

D

Hoffman Estates, Illinois 60196-1025

ACCESS SERVICE

7. Special Access Service (Cont'd)

D  
D

Hoffman Estates, Illinois 60196-1025

Rejected by the Federal Communications Commission

ACCESS SERVICE

7. Special Access Service (Cont'd)

D

D

x Issued on not less than one day's notice under authority of Special Permission No. 90-3 of the Federal Communications Commission.

---

Issued: January 4, 1990

Effective: January 5, 1990

Director, Federal Regulatory Planning & Policy, 4G62  
2000 W. Ameritech Center Drive  
Hoffman Estates, Illinois 60196-1025



**Rejected by the Federal Communications Commission**

**ACCESS SERVICE**

**7. Special Access Service (Cont'd)**

D

D

x Issued on not less than one day's notice under authority of Special Permission No. 90-3 of the Federal Communications Commission.

---

**Issued: January 4, 1990**

**Effective: January 5, 1990**

---

**Director, Federal Regulatory Planning & Policy, 4G62  
2000 W. Ameritech Center Drive  
Hoffman Estates, Illinois 60196-1025**